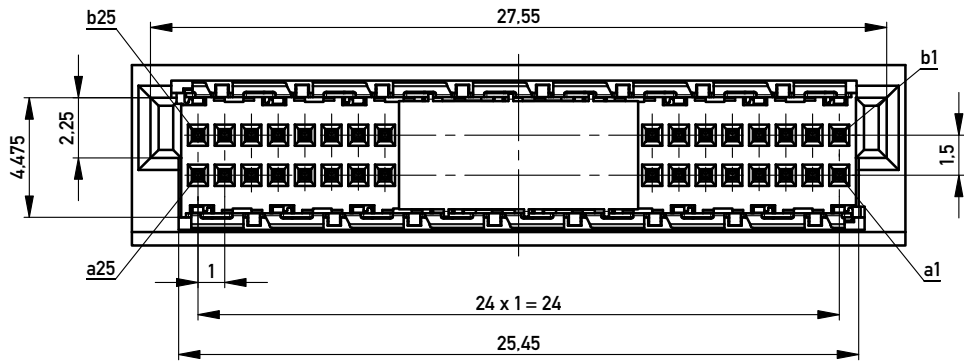
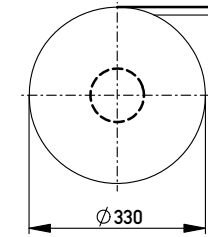
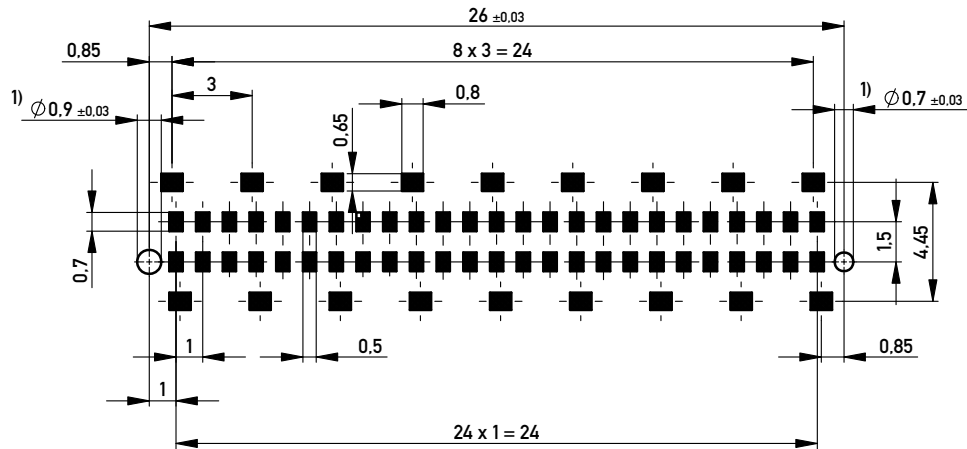


Verpackt im Gurt nach DIN IEC 60286-3  
 Tape on Reel Packaging according to DIN IEC 60286-3  
 Verpackungseinheit: 400 Stück  
 Packaging unit: 400 pcs

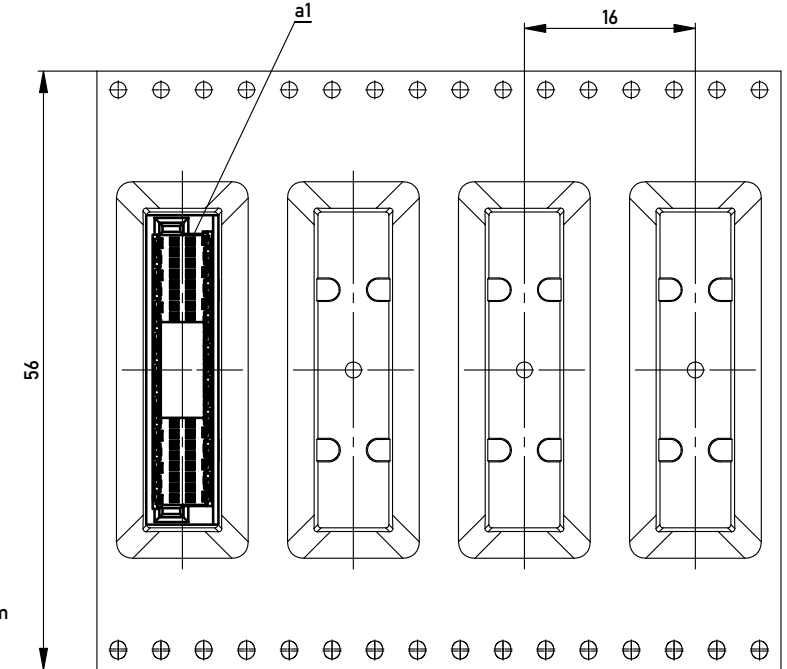


Leiterplatten-Layout Vorschlag / PCB-Layout proposal



1) Durchmesser des Bohrers / drill tool

Abspulrichtung - Reel off Direction



Anforderungsstufe 1  
 Performance Level 1

Kontaktbereich vergoldet  
 Mating Area gold plating

Anschlussbereich verzinkt 4-6 µm  
 Terminal Area 4-6 µm tin plating

Koplanarität der Anschlüsse ≤ 0.1 mm  
 Coplanarity Area of Termination ≤ 0.1 mm

Information:	Tolerances	 All Dimensions in mm	Scale	5:1
	All rights reserved. Only for Information. To ensure that this is the latest version of this drawing, please contact one of the ERNI companies before using.		Designation <b>M01 MSpeed Blind Mate 50 SMD</b>	
Subject to modification without prior notice. Drawing will not be updated.		www.ERNI.com		<b>254877</b>
f	28.01.2014	Class		MSPEED
Index	Date			I A3

Copyright by ERNI GmbH. Proprietary notice pursuant to ISO 9006 to be observed.