

THIS DRAWING IS UNPUBLISHED.

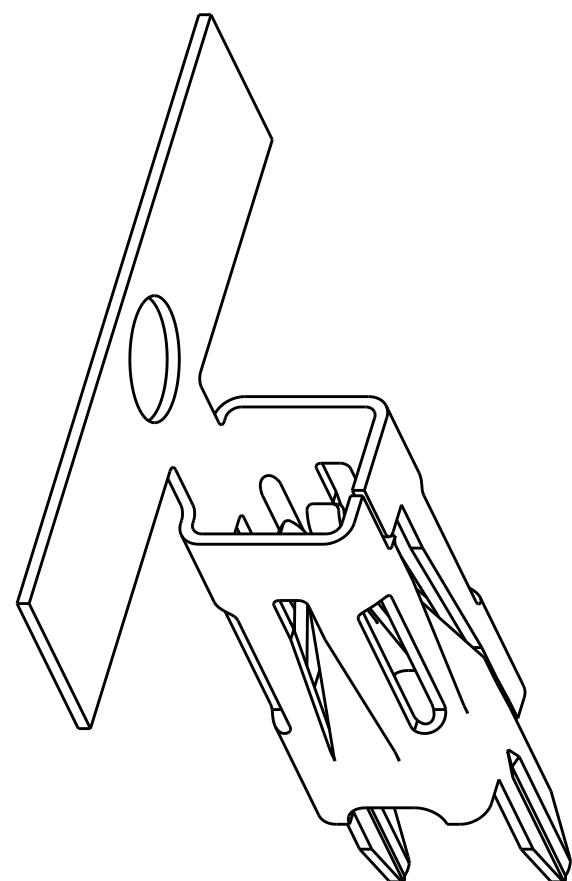
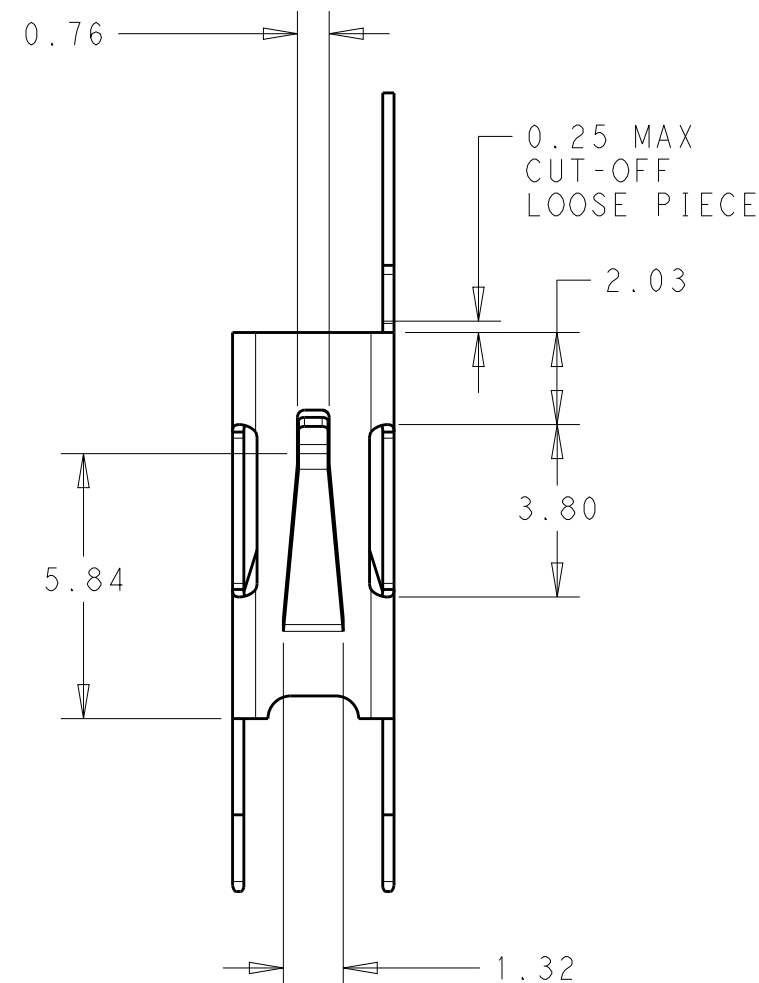
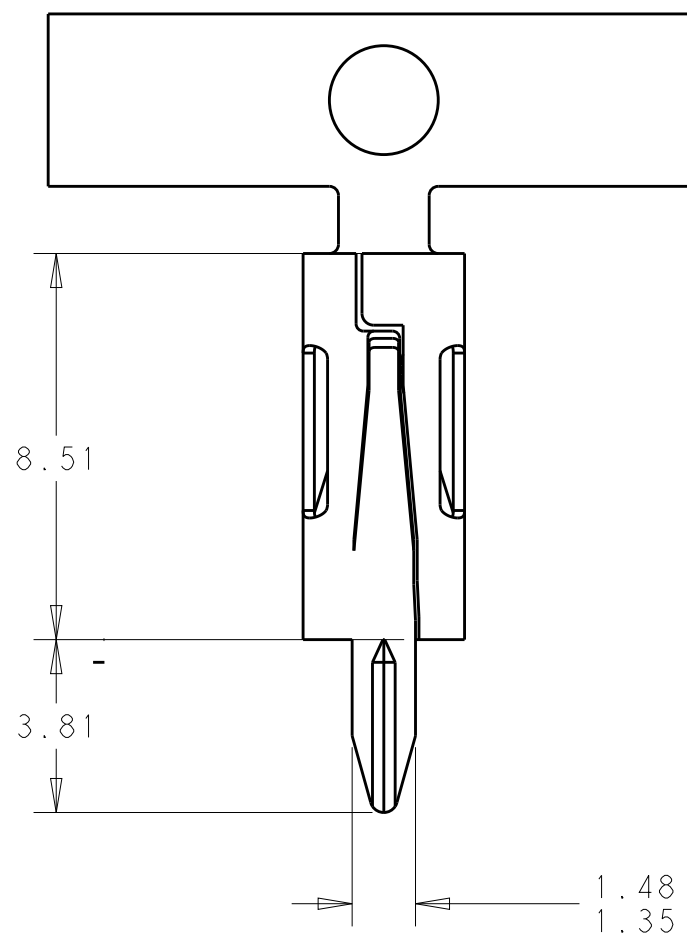
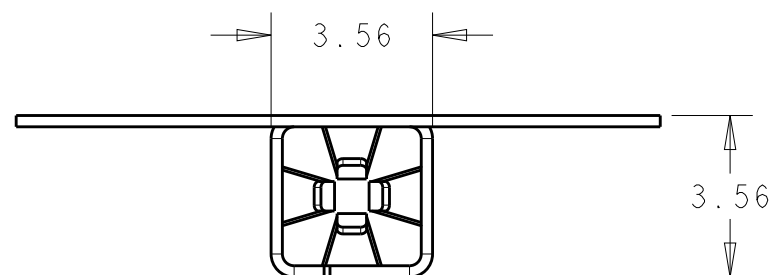
RELEASED FOR PUBLICATION

20

© COPYRIGHT 20 BY - ALL RIGHTS RESERVED.

REVISIONS					
P	LTR	DESCRIPTION	DATE	DWN	APVD
	A	RELEASED	11JUN2018	RS	LB

1 PRELIMINARY - NOT FOR PRODUCTION



LOOSE PIECE	1 2238194-2
AS SHOWN	2238194-1
TYPE	PART NUMBER

THIS DRAWING IS A CONTROLLED DOCUMENT.		DWN	27SEP2017	<b>STE</b> TE Connectivity	
DIMENSIONS: mm		CHK	27SEP2017		
TOLERANCES UNLESS OTHERWISE SPECIFIED:		APVD	27SEP2017	NAME TERMINAL	
0 PLC ±-		PRODUCT SPEC	-	SIZE	
1 PLC ±-		APPLICATION SPEC	-	CAGE CODE	DRAWING NO
2 PLC ±0.38		WEIGHT	-	A300779	C-2238194
3 PLC ±-		CUSTOMER DRAWING	-	SCALE	SHEET 1 OF 1
4 PLC ±-				6:1	REV A
ANGLES ±-					
MATERIAL PHOSPHOR BRONZE	FINISH MATTE TIN OVER NICKEL				

SCALE 7:1