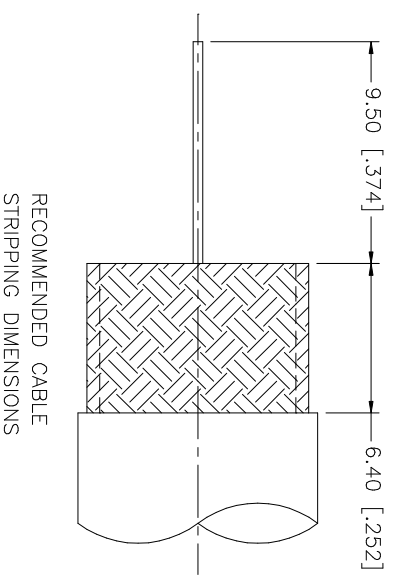
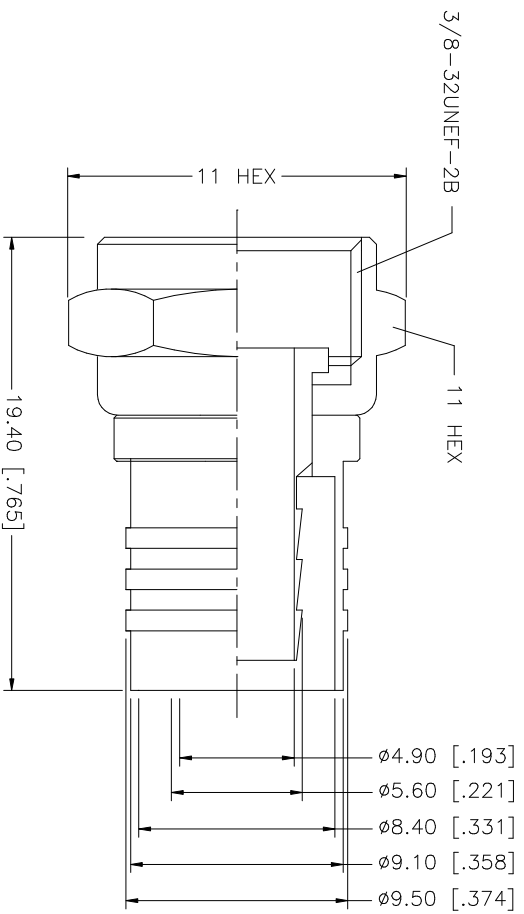


REV.	DATE	DESCRIPTION
B	09/08/98	REDIMENSION DRAWING/ ADD CABLE STRIPPING DIMS
C	02/08/03	UPDATE DRAWING FORMAT



RECOMMENDED CABLE STRIPPING DIMENSIONS

8																			
7																			
6																			
5																			
4																			
3	HOUSING	BRASS	NICKEL	1															
2	BODY	BRASS	NICKEL	1															
1	SHELL	BRASS	NICKEL	1															
	DESCRIPTION	MATERIAL	FINISH	QTY															
										<p>UNLESS OTHERWISE SPECIFIED, DIMENSIONS ARE IN MILLIMETERS. DIMENSIONS IN INCHES ARE IN INCHES AND FOR CUSTOMER REFERENCE ONLY.</p> <p>UNLESS OTHERWISE SPECIFIED, TOLERANCES FOR MILLIMETERS ARE:</p> <p>0.5 - 8mm ± 0.20mm 8 - 30mm ± 0.40mm 30 - 120mm ± 0.50mm</p> <p>UNLESS OTHERWISE SPECIFIED, TOLERANCES FOR INCHES ARE:</p> <p>.020 - .315 = ± 0.007" .315 - 1.180 = ± 0.015" 1.180 - 4.724 = ± 0.020"</p> <p>DO NOT SCALE DRAWING</p>									
					<p>APPROVALS</p> <p>DRAWN G.R.S.</p> <p>CHECKED</p> <p>ISSUED</p> <p>SHEET 1 OF 1</p>					<p>DATE</p> <p>02/08/03</p>					<p>CAD FILE</p> <p>C:/222/222118.DWG</p>				
										<p>DWG. NO. 222118.DWG</p> <p>REV. C</p> <p>SIZE A</p> <p>SCALE NA</p>									
										<p>PART DESCRIPTION</p> <p>F PLUG CF TYPE - 1 PIECE CRIMP (FOR RG-6)</p> <p>222118</p>									
										<p>Amphenol Connex</p>									