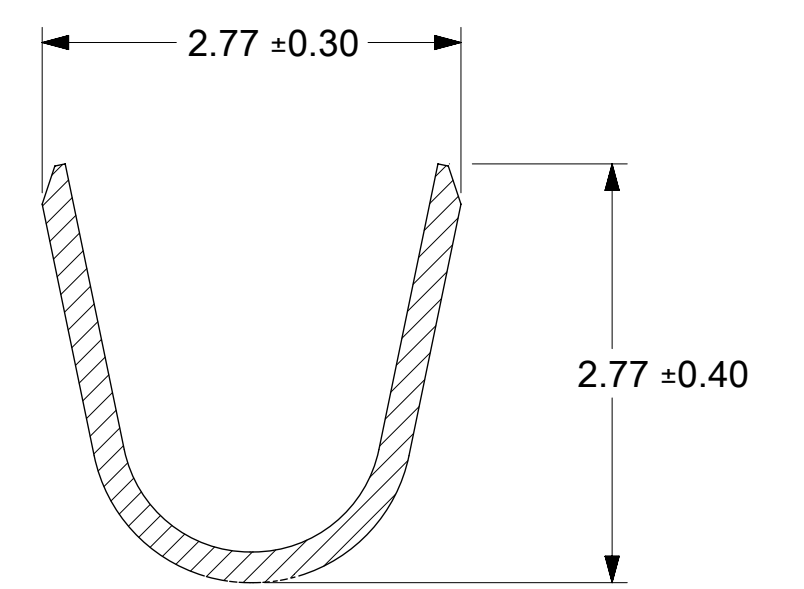
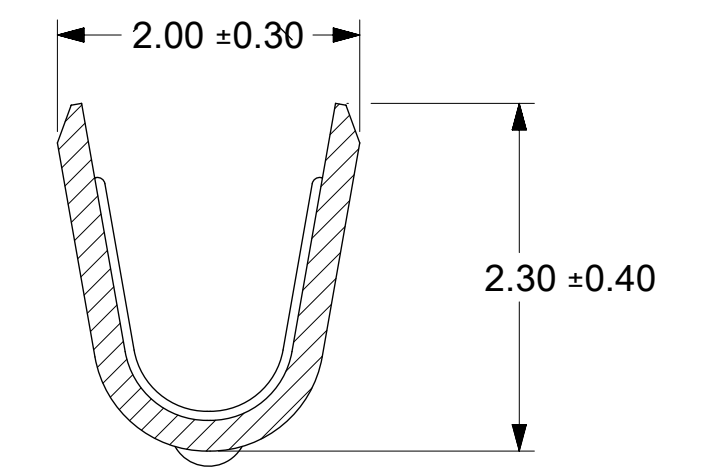
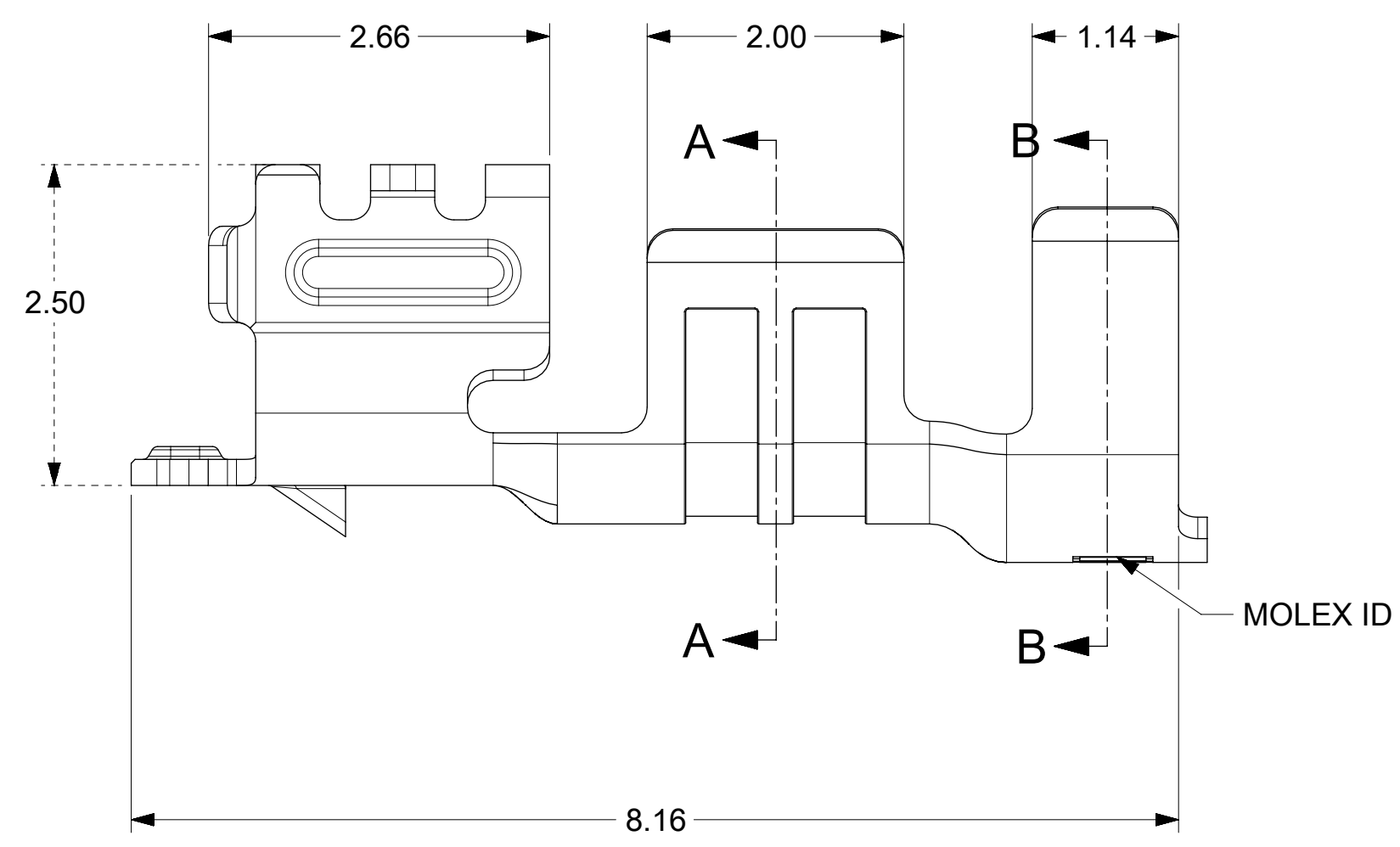
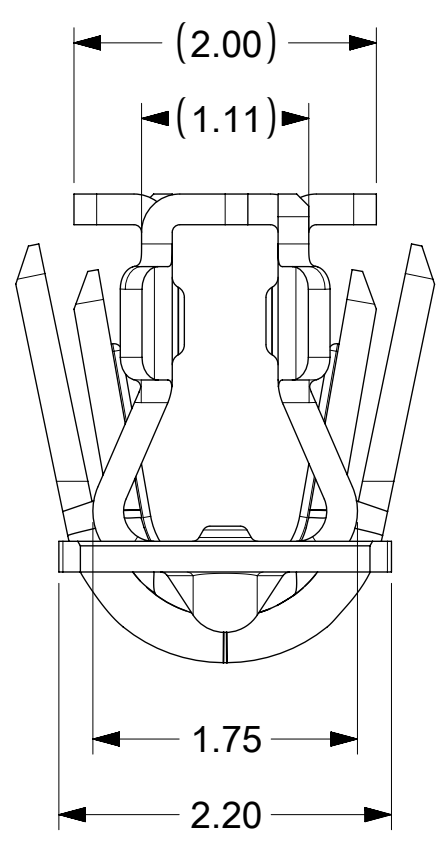
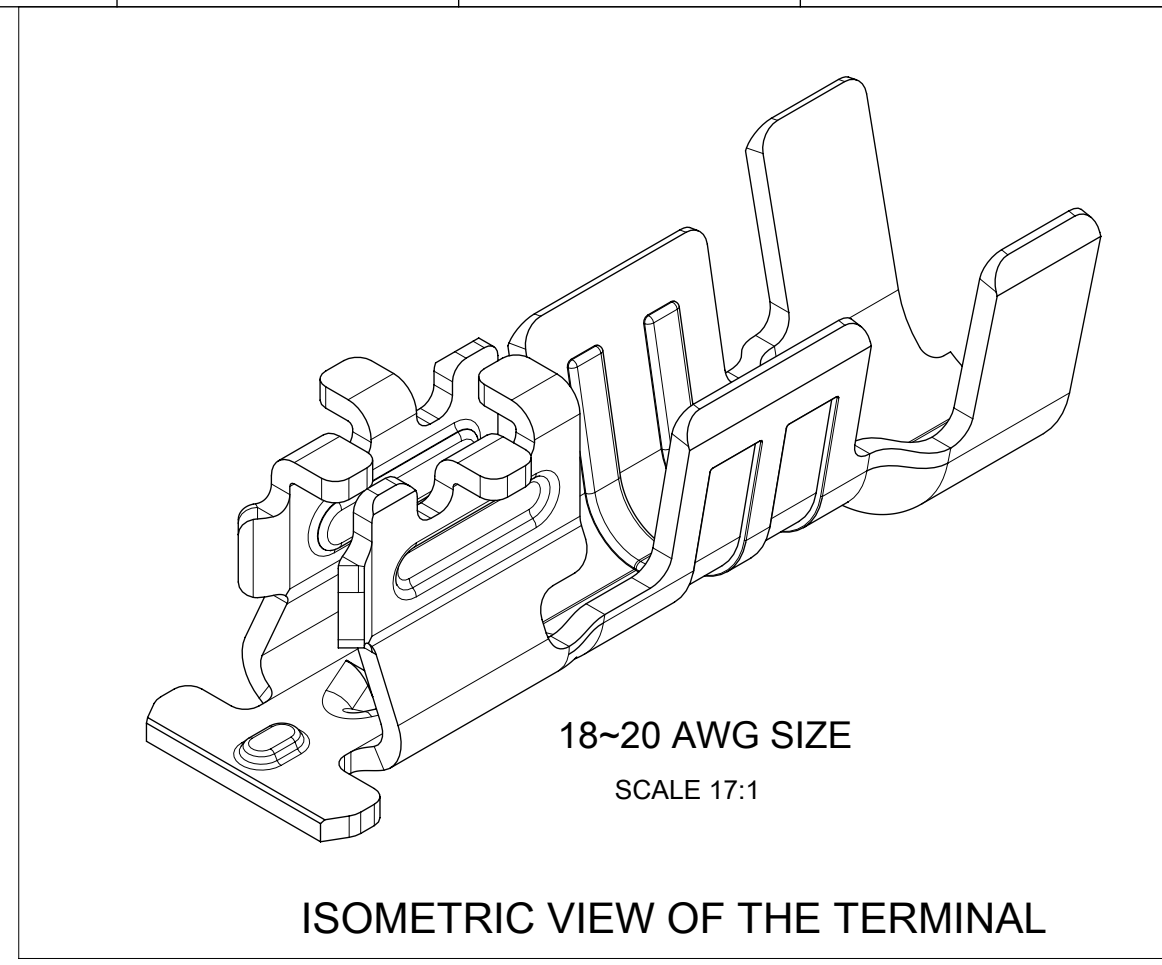
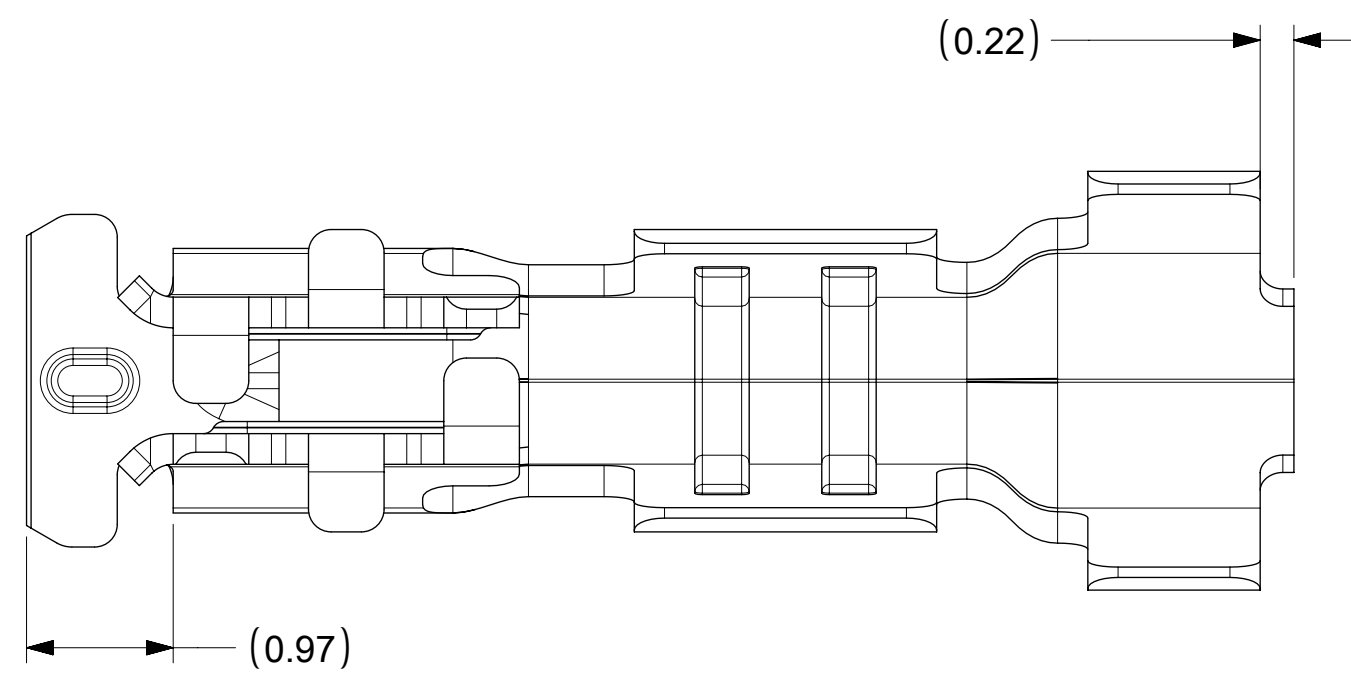


MATERIAL NUMBER	CRIMP SIZE (NOTE 7)	ASSEMBLY OPTION
206396-0001	18-20 AWG	CHAIN

- NOTES:
1. MATERIAL: COPPER ALLOY
  2. FINISH: TIN OVER COPPER OVERALL, PRE - PLATED STRIP
  3. PRODUCT SPECIFICATION: 2092080000-PS
  4. PACAKAGING SPECIFICATION: 2063960000-PK
  5. FOR USE WITH SERIES 209209 RECEPTACLE HOUSINGS.
  6. THIS PART CONFORMS TO CLASS B REQUIREMENTS OF COSMETIC SPEC PS-45499-002.
  7. 18~20AWG CRIMP SIZE IS SUITABLE FOR WIRE WITH A MAXIMUM INSULATION DIAMETER OF 1.42 TO 2.10 MM (SUCH AS UL1007 OR 1061).
  8. DIMENSIONS GIVEN ACROSS CENTERLINES ARE SYMMETRICAL ABOUT THOSE CENTERLINES WITHIN HALF THE TOTAL TOLERANCE.



SYMBOLS	THIS DRAWING CONTAINS INFORMATION THAT IS PROPRIETARY TO MOLEX ELECTRONIC TECHNOLOGIES, LLC AND SHOULD NOT BE USED WITHOUT WRITTEN PERMISSION		
	DIMENSION UNITS	SCALE	CURRENT REV DESC:
▽ = 0	mm	20:1	EC NO: 707267 DRWN: SHRUTJ 2022/05/16 CHK'D: SHRUTJ 2022/05/18 APPR: ISHWARG 2022/05/19
▽ = 0	GENERAL TOLERANCES (UNLESS SPECIFIED)		
▽ = 0	ANGULAR TOL ± °		INITIAL REVISION: DRWN: GSHARMA 2019/01/16 APPR: ISHWARG 2020/05/22
▽ = 0	4 PLACES ±		
▽ = 0	3 PLACES ±		DOCUMENT NUMBER: 2063960000-SD DOC TYPE: PSD DOC PART: 000 REVISION: A1
▽ = 0	2 PLACES ± 0.25		
▽ = 0	1 PLACE ± 0.3		MATERIAL NUMBER: SEE TABLE CUSTOMER: GENERAL MARKET SHEET NUMBER: 1 OF 1
▽ = 0	0 PLACES ±		
▽ = 0	DRAFT WHERE APPLICABLE MUST REMAIN WITHIN DIMENSIONS		THIRD ANGLE PROJECTION
▽ = 0			DRAWING: C-SIZE
		SERIES: 206396	

DOCUMENT STATUS	P1	RELEASE DATE	2022/05/19 05:54:25
-----------------	----	--------------	---------------------