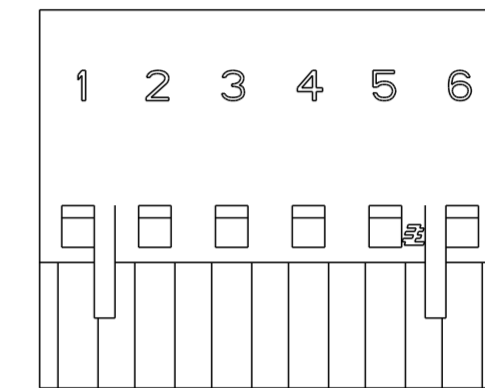
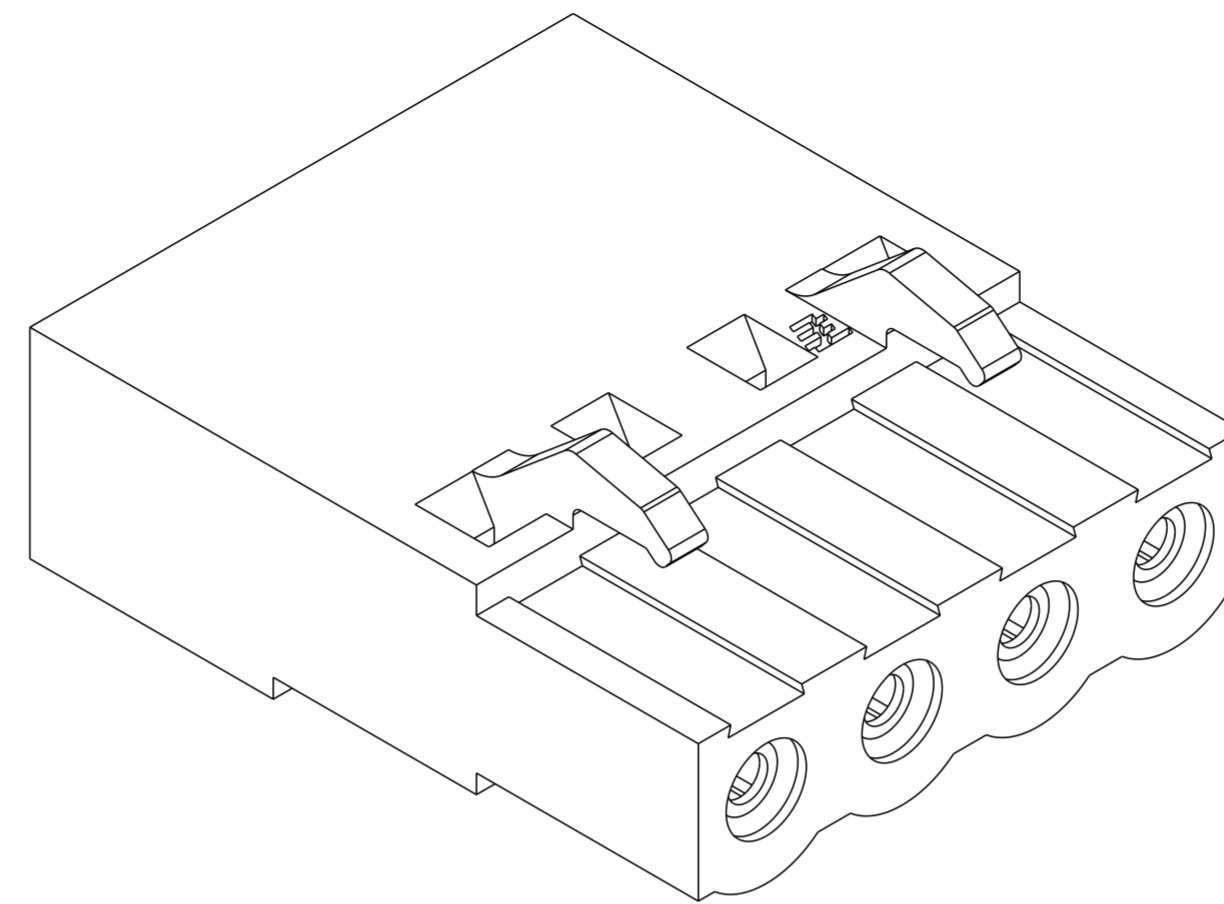
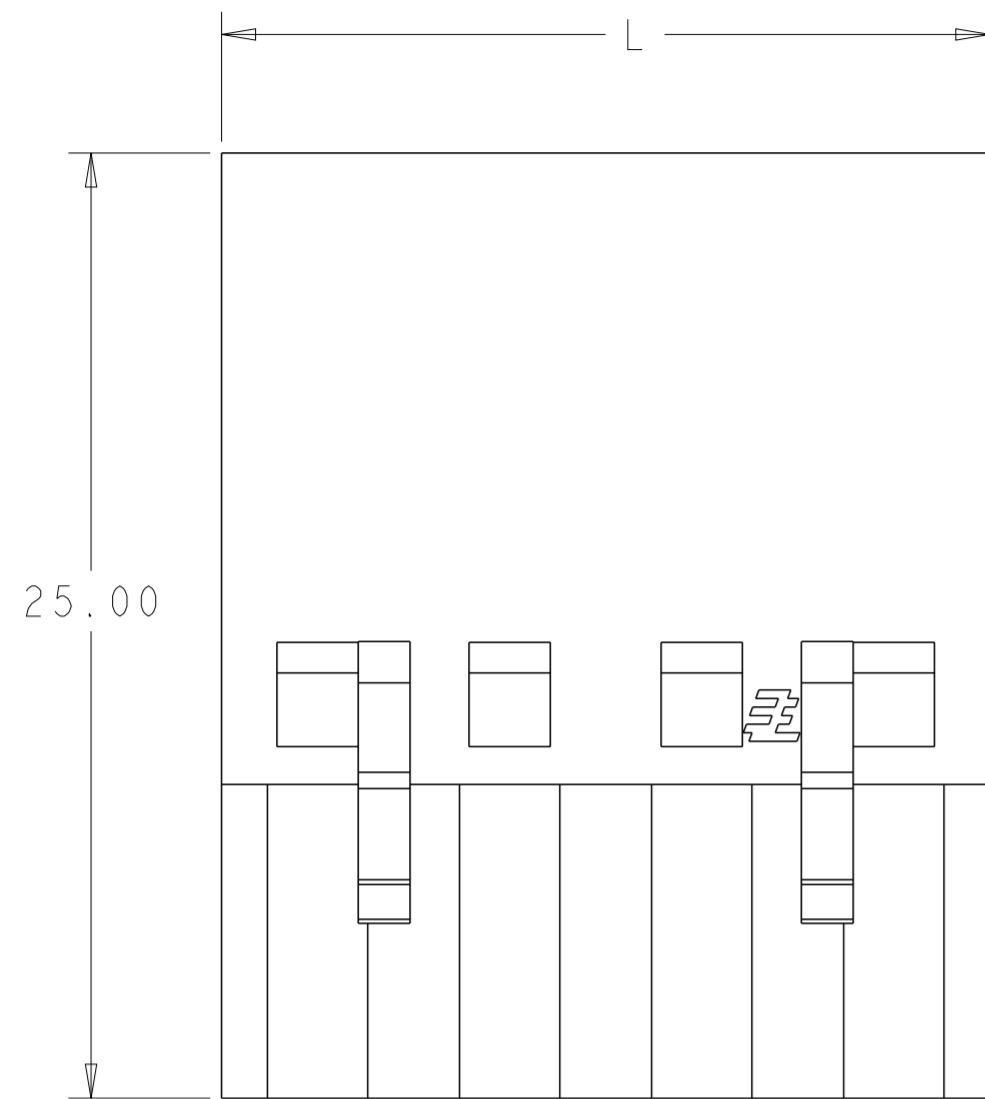
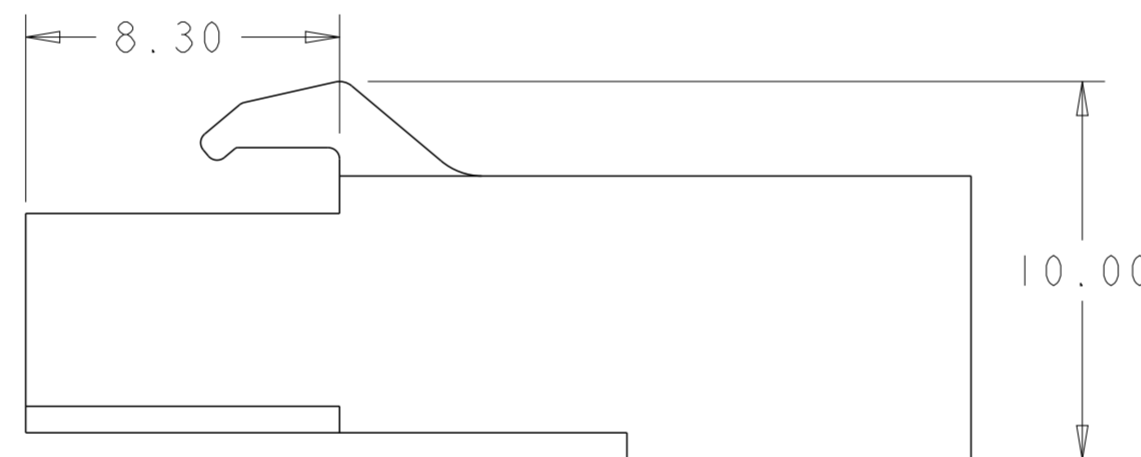
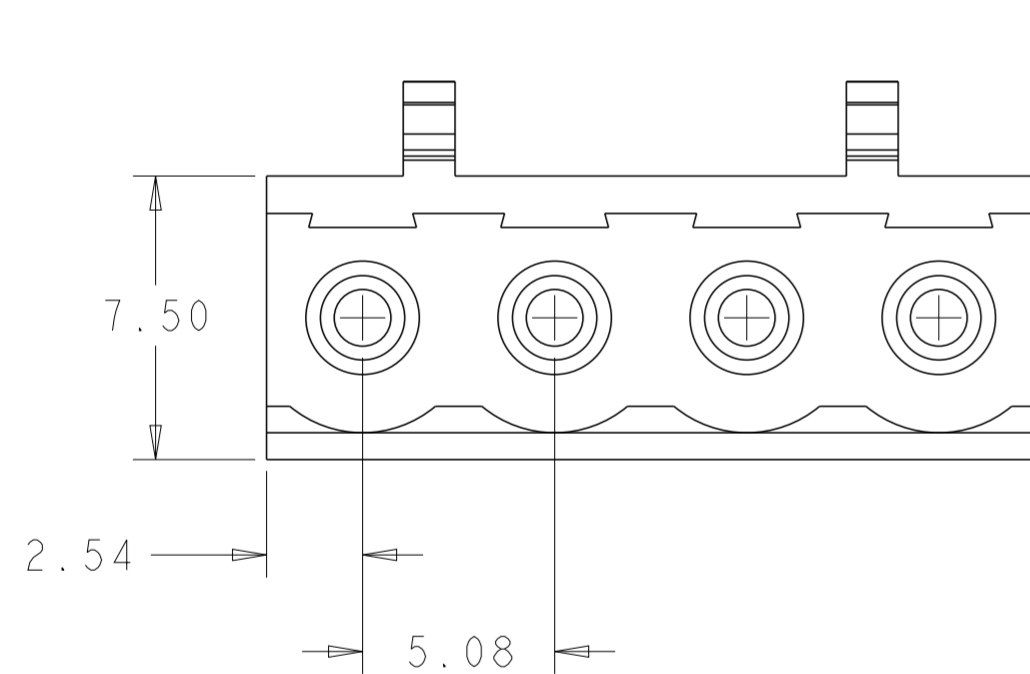


REVISIONS					
P	LTR	DESCRIPTION	DATE	DWN	APVD
A5		PART STATUS UPDATED	05OCT2021	GMN	SS
A6		NATURAL COLOUR NEW PARTS ADDED	10MAY2022	SS	PS
A7		REVISED PER ECR-22-144847	02JAN2023	RB	SM



DETAIL C \triangle

THIS PRODUCT HAS NOT COMPLETED VALIDATION TESTING



\triangle \triangle SEE DETAIL C

OBSOLETE

OBSOLETE

NATURAL	30.48	6	3-1986160-6
NATURAL	25.4	5	3-1986160-5
NATURAL	20.32	4	3-1986160-4
NATURAL	15.24	3	3-1986160-3
NATURAL	10.16	2	3-1986160-2
GREEN	30.48	6	2-1986160-6
GRAY	30.48	6	1-1986160-6
GRAY	25.4	5	1-1986160-5
GRAY	20.32	4	1-1986160-4
GRAY	15.24	3	1-1986160-3
GRAY	10.16	2	1-1986160-2
GREEN	30.48	6	1986160-6
GREEN	25.4	5	1986160-5
GREEN	20.32	4	1986160-4
GREEN	15.24	3	1986160-3
GREEN	10.16	2	1986160-2

HOUSING COLOR	L	NO OF POSN	PART NUMBER
---------------	---	------------	-------------

- MATERIAL:
HOUSING - POLYESTER, UL 94V-0 RATED, COLOR: SEE TABLE.
- RECOMMENDED CRIMP STYLE CONTACTS, (965899 AND 965901) TO BE USED WITH THIS HOUSING.
- CONNECTOR MATES WITH 5.08mm OPEN AND CLOSED END INDUSTRY STANDARD HEADERS.

\triangle PART TO BE MARKED WITH BLACK PERMANENT MARKING SEE DETAIL C, LETTER TO BE 3.8 MM IN HEIGHT

\triangle PRELIMINARY

THIS DRAWING IS A CONTROLLED DOCUMENT.

DIMENSIONS:	TOLERANCES UNLESS OTHERWISE SPECIFIED:
mm	0 PLC \pm
	1 PLC ± 0.5
	2 PLC ± 0.13
	3 PLC ± 0.000
	4 PLC ± 0.000
	ANGLES \pm
	FINISH \pm

DWN	S. WELDON	19MAR2007
CHK	C. RICHARD	19MAR2007
APVD	C. RICHARD	19MAR2007
PRODUCT SPEC		
APPLICATION SPEC		
WEIGHT		
CUSTOMER DRAWING		

STE TE Connectivity			
NAME PLUG HOUSING, TERMINAL BLOCK, CRIMP STYLE, 5.08mm PITCH			
SIZE	CAGE CODE	DRAWING NO	RESTRICTED TO
A2	00779	C-1986160	-
SCALE	5:1	SHEET	1 OF 1
REV	A7		