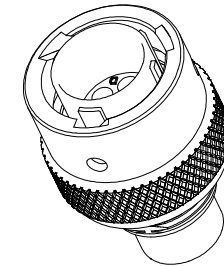
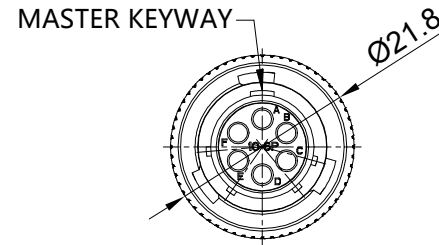
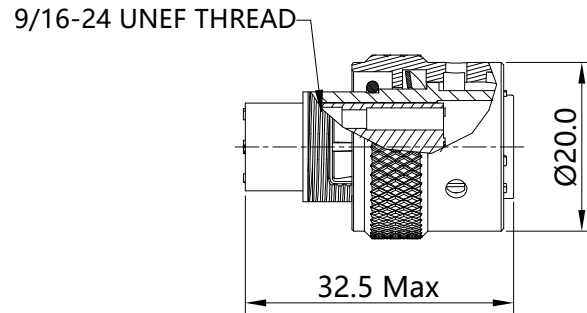


REVISIONS					
REV	ECO	DESCRIPTION	DATE	BY	APPR
B1	--	RELEASED DRAWING	JUN-26-2014	BEN	TOMMY
B2	--	MODIFY THE INSERT LETTER LOCATION	MAY-20-2016	BEN	TOMMY
B3	--	UPDATE RATED VOLTAGE	NOV-11-2022	JUN	TOMMY



NOTES: (UNLESS OTHERWISE SPECIFIED)

1. MATERIAL:

- SHELL: ZINC ALLOY, NICKEL PLATED.
- INSERT: THERMOPLASTIC, UL94 V-0.
- COUPLING NUT: AL ALLOY, NICKEL PLATED.
- WAVE WASHER: STAINLESS STEEL.
- O-RING: NBR/SILICONE RUBBER.

2. SPECIFICATIONS:

2.1 RATED CURRENT:

- 2.1.1 STAMPED CONTACT: 5A (MAX) .
- 2.1.2 MACHINED CONTACT : 7.5A (MAX) .

(B3)

- 2.2 RATED VOLTAGE: 250V (AC/DC) .
- 2.3 OPERATING TEMPERATURE: SEE CHART.
- 2.4 DIELECTRIC WITHSTANDINGVOLTAGE: LESS THAN 2 MILLIAMPS CURRENT LEAKAGE@1500 VOLTS AC.
- 2.5 INSULATION RESISTANCE: 5000 MEGOHMS MIN.
- 2.6 IP--CLASS: IP67.
- 2.7 MATING CYCLES DURABILITY: 500 CYCLES MIN.
- 2.8 RoHS COMPLIANT.

3. SUITABLE CONTACTS : 20# CONTACTS.

4. ALL DIMENSIONS ARE FOR REFERENCE USE ONLY.

KEY POS	PART NUMBER	
	-40°C ~ 105°C	-40°C ~ 125°C
N	RT0W6106PNH	RT0W6106PNH03
W	RT0W6106PWH	RT0W6106PWH03
X	RT0W6106PXH	RT0W6106PXH03
Y	RT0W6106PYH	RT0W6106PYH03
Z	RT0W6106PZH	RT0W6106PZH03

QUANTITY	PART NUMBER	DESCRIPTION	ITEM
<b>MATERIALS LIST</b>			
<b>UNLESS OTHERWISE SPECIFIED</b> 1) All dimensions are in metric(mm). 2) Tolerances are as follows: 1 PL DEC ±0.30 2 PL DEC ±0.15 3 PL DEC ±0.08 Fractions ±1/64 Angles ±1° 3) Note reference =		<b>SIGNATURES</b> <b>DATE</b> DRAWN: JUN    NOV-11-2022 CHECKED: ORION    DEC-12-2022 ENGINEER: APPROVAL: TOMMY    DEC-14-2022 CUSTOMER:	
<b>MATERIAL SPECIFICATIONS:</b>		 Sine Systems - www.amphenol-sine.com 44724 Morley Drive Clinton Township, MI 48036	
<b>PROCESS SPECIFICATIONS:</b>		ECO-MATE, PLUG, SIZE 10,6POS,PIN.	
<b>NEXT ASSY:</b>		<b>SIZE</b> <b>TYPE</b> <b>DWG NO:</b> B    C-    RT0W6106P*H*	<b>REVISION</b> B3
		<b>SCALE</b> NONE	SHEET 1 OF 1

TITLE: ECO-MATE,PLUG,SIZE 10,6POS,PIN  
 DWG NO: RT0W6106P\*H\*  
 REV: B3  
 SH: 1  
 OF: 1