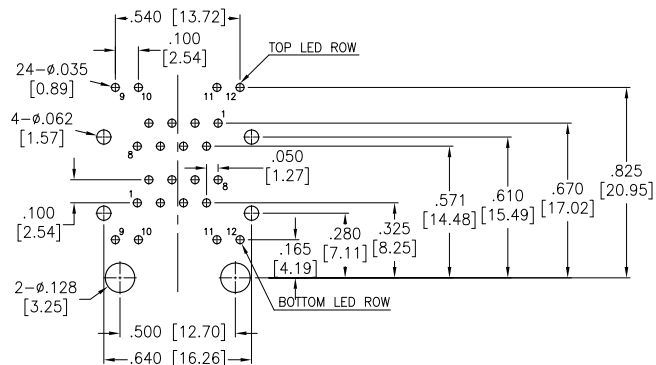
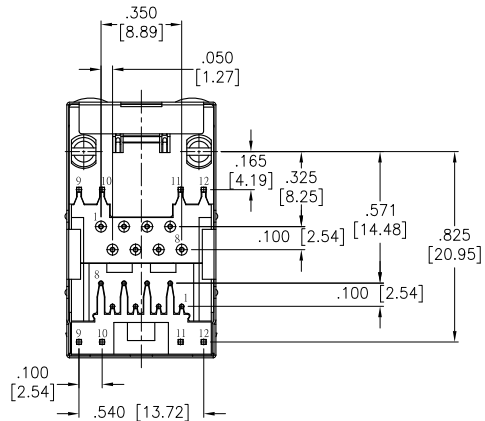
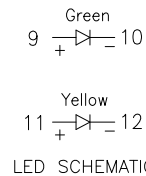
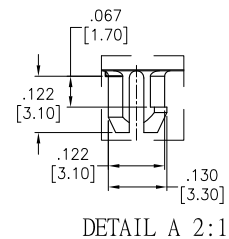
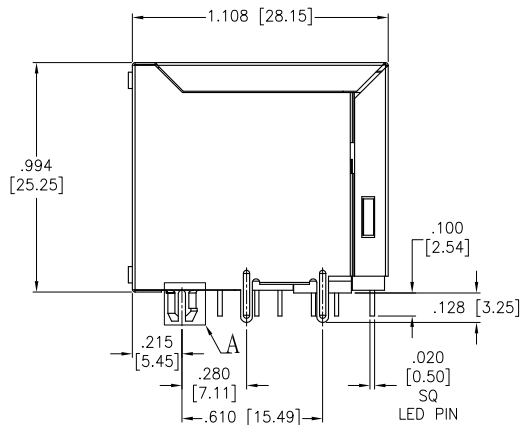
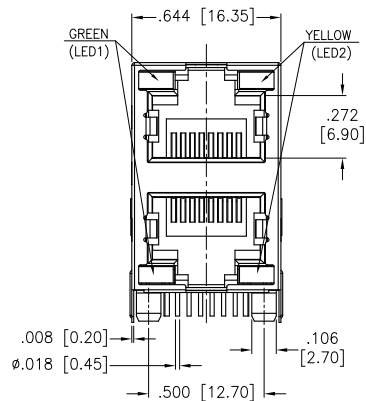


APPROVED: \_\_\_\_\_  
 DATE: \_\_\_\_\_ TITLE: \_\_\_\_\_

Rev	AWO #	Description	Date	Appr
-		RELEASED	9/27/18	



**SPECIFICATIONS:**

Material:  
 Insulator: Hi-Temp Thermoplastic, rated UL 94V-0  
 Inserter Color: Black  
 Contacts: Phosphor Bronze  
 Shield: Copper Alloy, Nickel plated  
 Contacts Plating:  
 Round contact  
 Gold over Nickel underplate overall  
 Flat contact  
 Gold over Nickel underplate on contact area  
 Tin over Nickel underplate on solder tails  
 Electrical:  
 Voltage rating: 150 VAC max  
 Current rating: 1.5 Amp max  
 Contact Resistance: 30 mohms max  
 Insulation resistance: 500 Mohms min  
 Dielectric withstanding voltage: 1000 VAC  
 Temperature Rating:  
 Operating temperature: -40°C to +85°C  
 Environmental:  
 Lead free, RoHS compliant.



UNLESS OTHERWISE SPECIFIED ALL DIMENSIONS ARE INCHES [MM] TOLERANCES: EXCEPT AS NOTED			
INCHES		HOLES	
.X ± .10	Ø.X ± .10		
.XX ± .020	Ø.XX ± .015		
.XXX ± .015	Ø.XXX ± .010		
APPROVALS		DATE	
DRAWN	HR	9/27/18	
CHECKED	RC2	9/27/18	
APPROVED			

**ADAM TECH**  
 INTERCONNECTS  
 909 Rahway Avenue,  
 Union, NJ 07083  
 Phone: 908-687-5000  
 Fax: 908-687-5710

TITLE  
 MODULAR JACK GANGED, 2 PORT, 8P8C  
 W/LED1 GREEN, W/LED2 YELLOW

SIZE	PART NO.	REV.
X	MTJG-2-88JX1-FSH-LH-Y-HT	-
REF:	S00297T	SCALE: NTS SHEET 1 OF 1