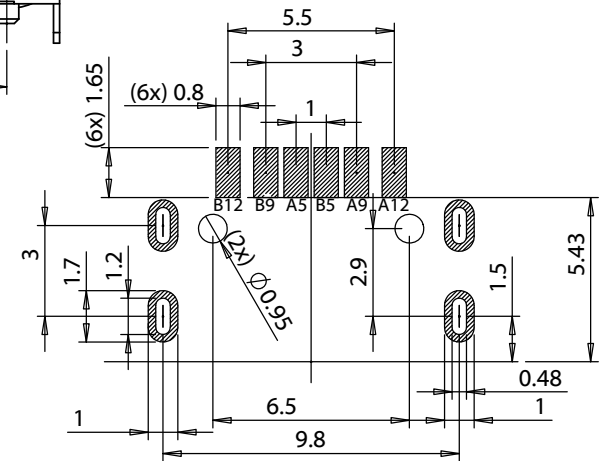
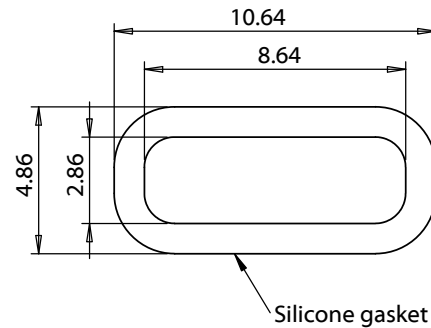
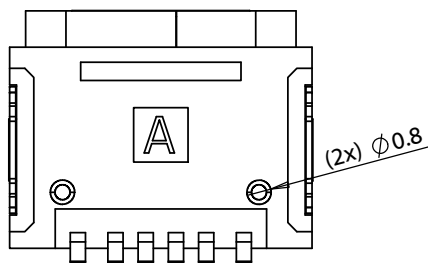
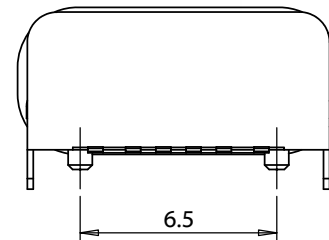
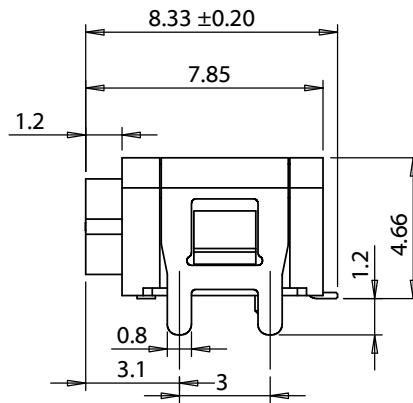
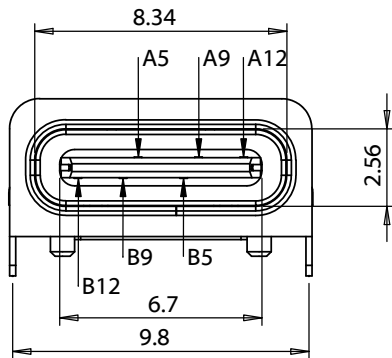
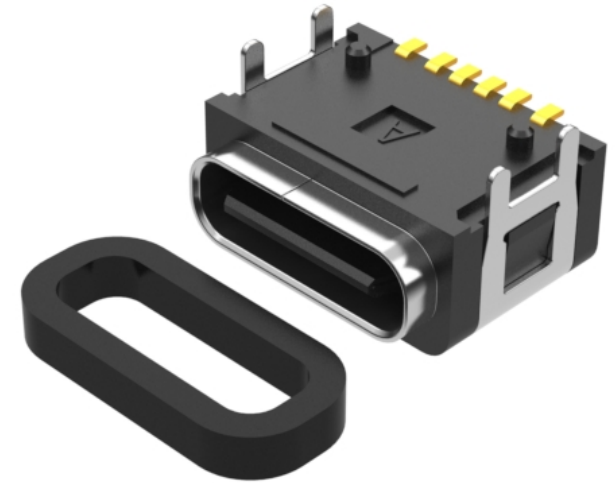


Signal Name		
A5		CC1
A9		VBUS
A12		GND
B5		CC2
B9		VBUS
B12		GND



P.C.B Layout

Revision:	Date:	Description:	Prepared:	Notes:	<h1>TENSILITY</h1> <p>tel 1.541.323.3228 800 877.670.7118 fax 1.541.323.4202 web tensility.com</p>
A	5/20/2021	Initial release	Verified:	RoHS compliant Function test: no open, no short circuit, no intermittent	
			Dimensions are in millimeters. Tolerances: X: ± 0.1 mm X.X: ± 0.1 mm X.XX: ± 0.1 mm	Description: Connector, USB type C power jack, SMT, through hole, 90°, nickel shell, IPX6 waterproof, reel	Size: A Part number: 54-00284 Scale: 4:1
					Sheet 1 of 2

