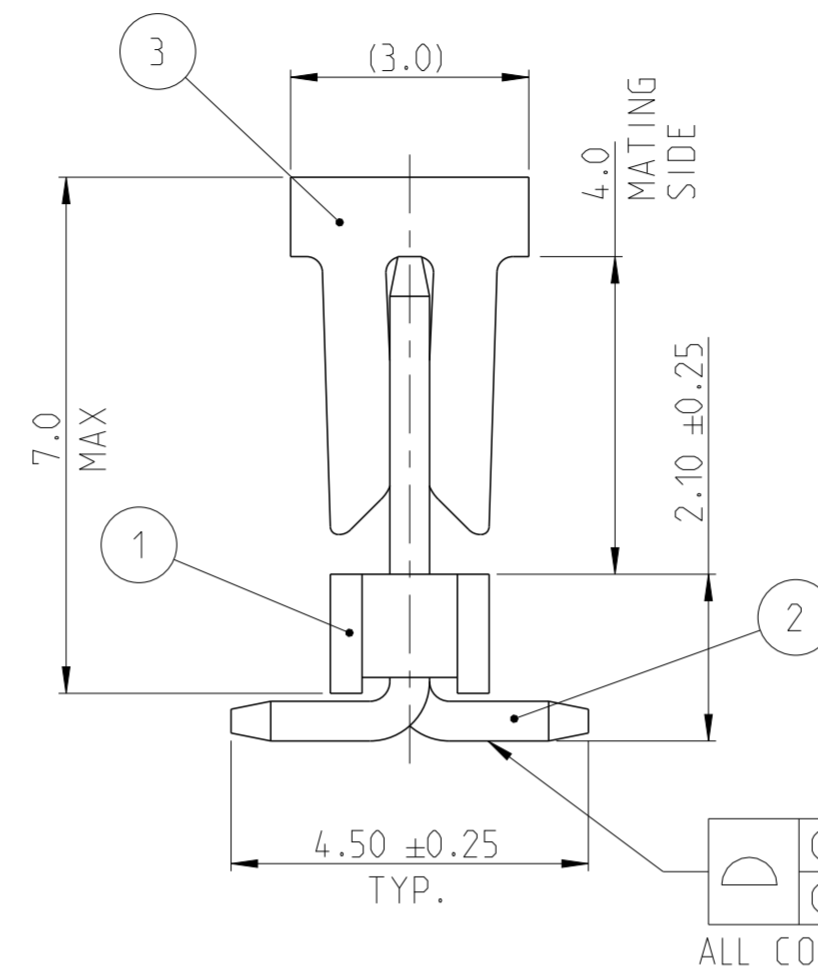
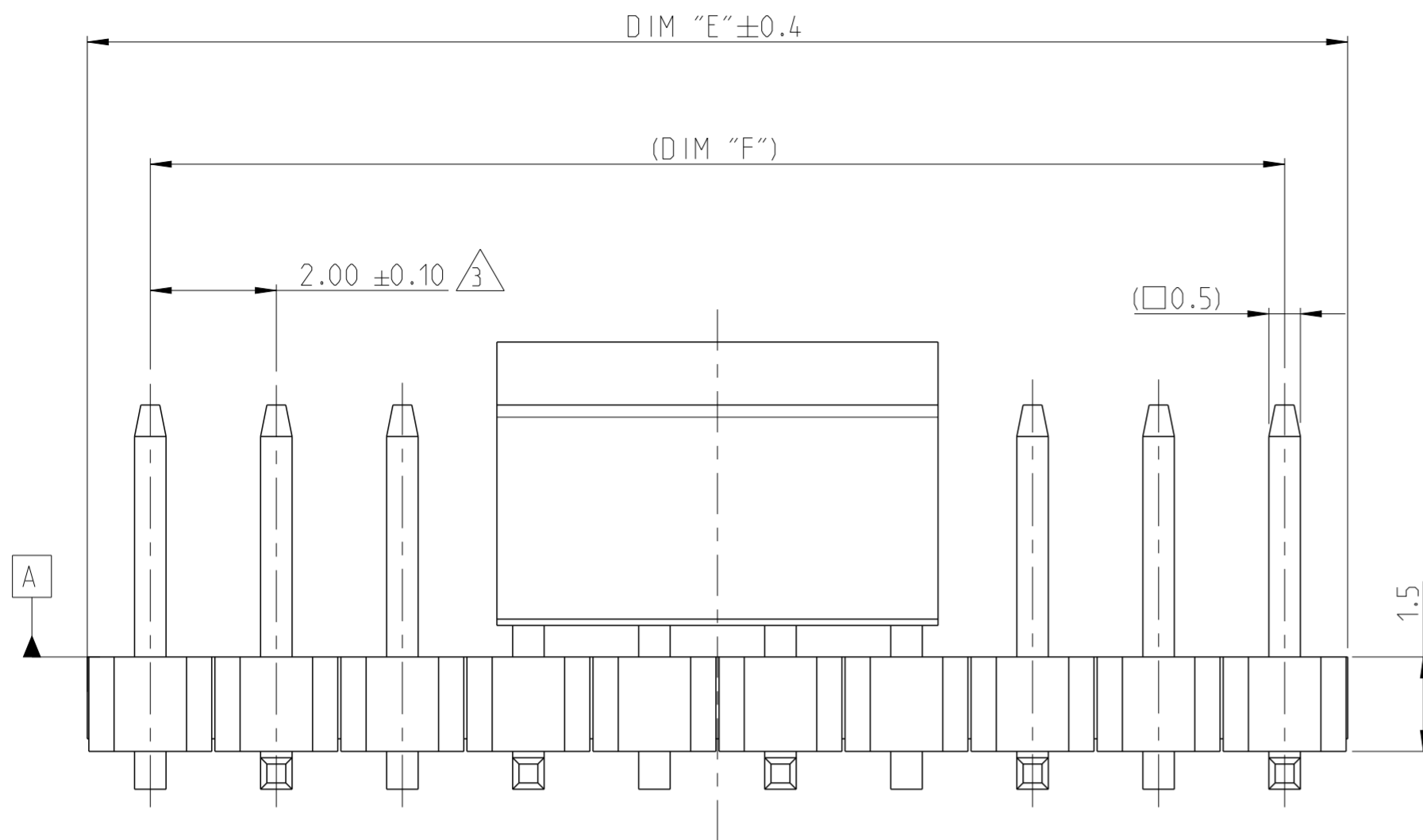
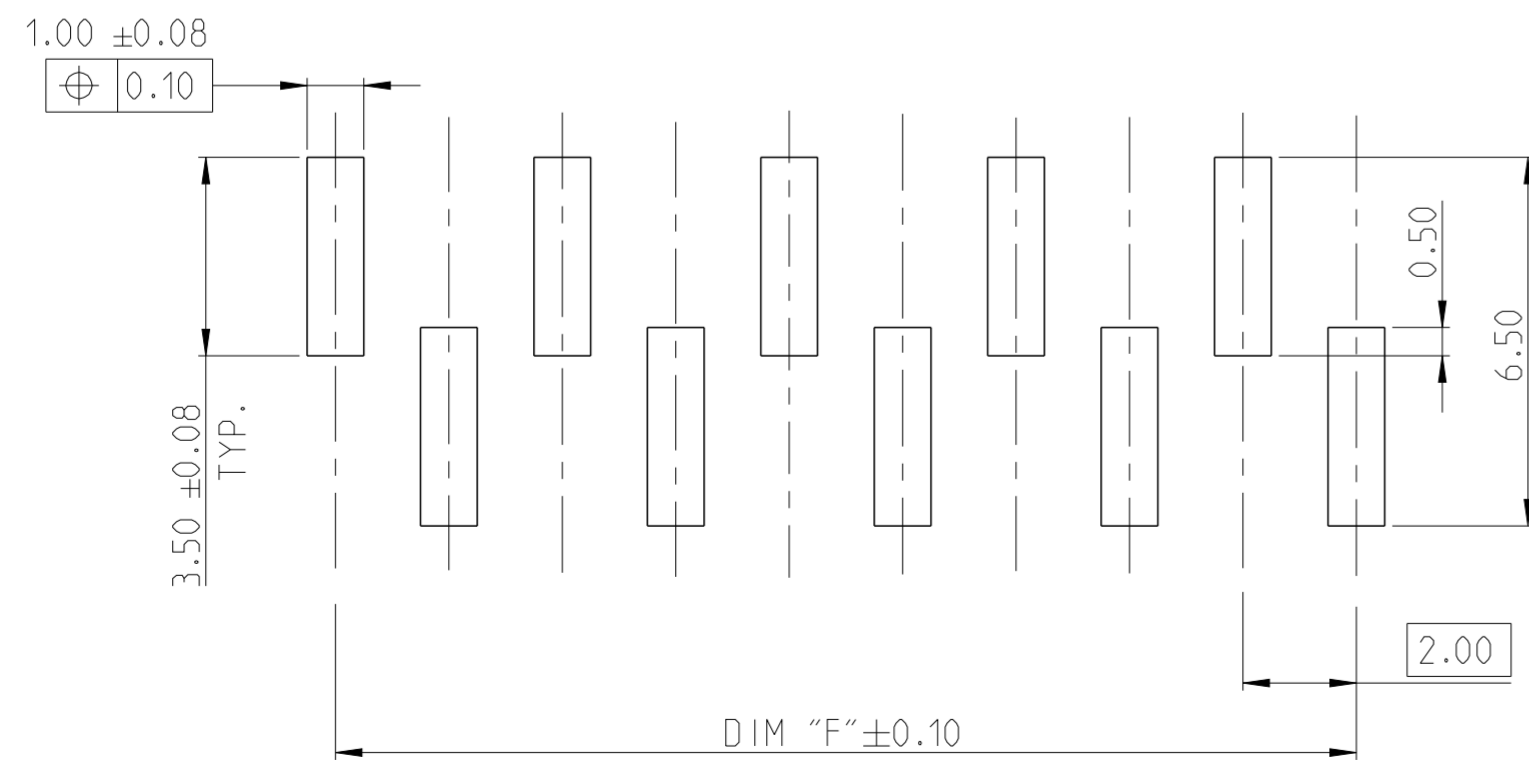
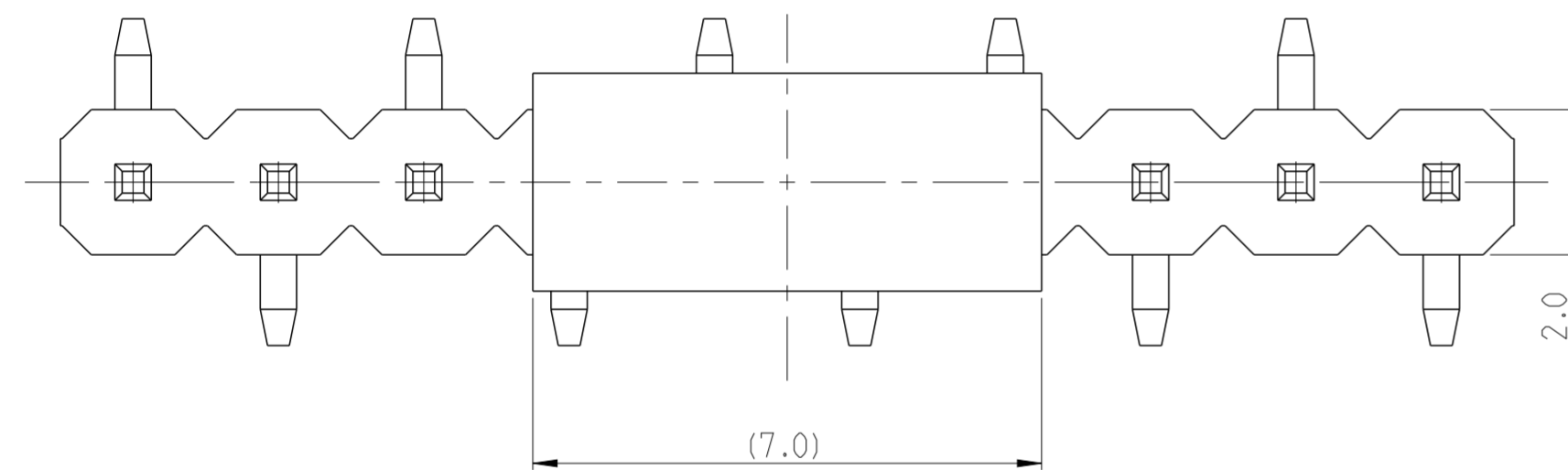


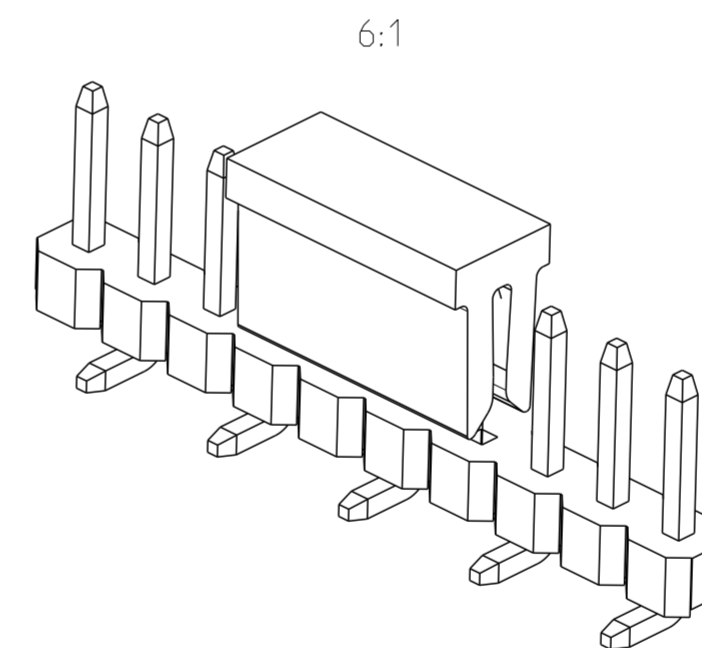
REVISIONS				
P	LTR	DESCRIPTION	DATE	APVD
A		RELEASE TO PRODUCTION	27AUG2019	AY PS
B		CHANGED P AND P CAP LENGTH FROM 6.5 TO 7.0	16DEC2019	AY PS



- NOTES:
- MATERIAL
HOUSING & P&P CAP : HIGH TEMPERATURE THERMOPLASTIC, UL94-V0;
COLOR- BLACK
CONTACT PIN : COPPER ALLOY
FINISH :
MATING SIDE: MIN. 0.76 μ m GOLD OVER NICKEL UNDER PLATING.
SOLDER SIDE: MIN. 2.0 μ m BRIGHT TIN OVER NICKEL UNDER PLATING.
 - PACKAGING: TAPE AND REEL (WITH PICK AND PLACE CAP).
- \triangle TOLERANCE NOT CUMULATIVE.
4. CUTTING BURR MAX. 0.25 mm.



RECOMMENDED PCB PATTERN



1-2842104-0 AS SHOWN

48.0	50.0	25	2-2842104-5
46.0	48.0	24	2-2842104-4
44.0	46.0	23	2-2842104-3
42.0	44.0	22	2-2842104-2
40.0	42.0	21	2-2842104-1
38.0	40.0	20	2-2842104-0
36.0	38.0	19	1-2842104-9
34.0	36.0	18	1-2842104-8
32.0	34.0	17	1-2842104-7
30.0	32.0	16	1-2842104-6
28.0	30.0	15	1-2842104-5
26.0	28.0	14	1-2842104-4
24.0	26.0	13	1-2842104-3
22.0	24.0	12	1-2842104-2
20.0	22.0	11	1-2842104-1
18.0	20.0	10	1-2842104-0
16.0	18.0	9	2842104-9
14.0	16.0	8	2842104-8
12.0	14.0	7	2842104-7
10.0	12.0	6	2842104-6
8.0	10.0	5	2842104-5
6.0	8.0	4	2842104-4
4.0	6.0	3	2842104-3
2.0	4.0	2	2842104-2
DIM "F"	DIM "E"	POS	TE PN

PICK AND PLACE CAP	3
CONTACT PIN	2
HOUSING	1
DESCRIPTION	ITEM NO.

THIS DRAWING IS A CONTROLLED DOCUMENT.		DWN ANKIT YADAV 08AUG2019	TE Connectivity
DIMENSIONS: mm		CHK KARTHIK JK 13AUG2019	
TOLERANCES UNLESS OTHERWISE SPECIFIED:		APVD PRASHANTH S 14AUG2019	
0 PLC ± 1 PLC ±0.2 2 PLC ±0.15 3 PLC ± 4 PLC ± ANGLES ±2° FINISH SEE NOTES		NAME AMPMODU 2mm BREAKAWAY HEADER, SINGLE ROW, VERTICAL SMD, 0.76 Au, T/R, PICK AND PLACE CAP PRODUCT SPEC 108-64040 APPLICATION SPEC 114-32259 WEIGHT - CUSTOMER DRAWING	
MATERIAL SEE NOTES		SCALE 5:1	RESTRICTED TO
		SHEET 1 OF 1	REV B