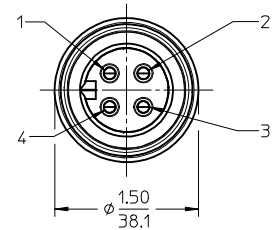
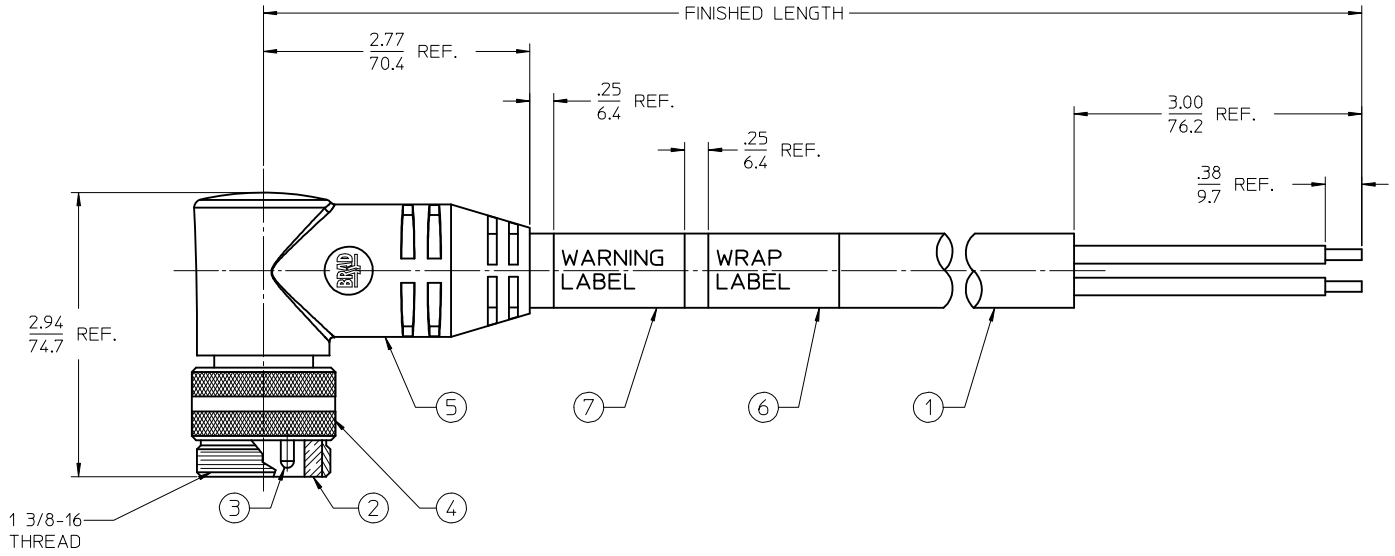


WIRING DIAGRAM

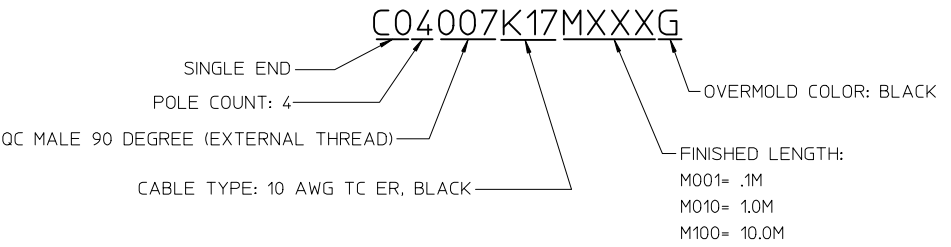


MALE FACE VIEW

NOTES:

- 1) MATERIAL: SEE TABLE
- 2) FINISHES: SEE TABLE
- 3) WRAP LABEL IS MARKED WITH P/N, DATE CODE VOLTAGE & AMPERAGE
- 4) MATES WITH: QUICK CHANGE 4 POLE RECEPTACLE
- 5) ELECTRICAL DATA:
 10AWG UL TYPE: TC-ER STRANDED CABLE
 MAX VOLTAGE: 600V
 MAX CURRENT: 32A
 PROTECTION IP67 (WHEN MATED)
 TEMPERATURE RANGE: -20°C TO 90°C
- 6) PACKAGING:
 CABLE ASSEMBLIES ARE BAGGED SEPERATLY IN POLY BAGS WITH BAR CODE LABEL ATTACHED TO OUTSIDE OF BAG.
- 7) ASSEMBLY IS RoHS COMPLIANT

PART NUMBER LEGEND



7	1	WARNING LABEL	VINYL	ORANGE/BLACK
6	1	WRAP LABEL	VINYL	BLACK/YELLOW
5	1	OVERMOLD	PVC	BLACK
4	1	COUPLING	ALUMINUM	CLEAR ANODIZE
3	4	CONTACT PIN	Cu ALLOY	GOLD PLATED
2	1	INSERT	PVC	BLACK
1	1	CABLE, 10/3 TC-ER (SEE NOTE 5)	TPE JACKET	BLACK
ITEM	QTY.	DESCRIPTION	MATERIAL	FINISH

RELEASED	EC NO: IPG2016-0989	2016/01/29
DRWNR:STONE	2016/01/29	
CHKD:		
APPR: BWOODMAN	2016/03/25	
DESCRIPTION		
REV		

QUALITY SYMBOLS	GENERAL TOLERANCES (UNLESS SPECIFIED)																		
▽=0																			
▽=0																			
	<table border="1"> <tr> <th></th> <th>mm</th> <th>INCH</th> </tr> <tr> <td>4 PLACES ±</td> <td>---</td> <td>---</td> </tr> <tr> <td>3 PLACES ±</td> <td>---</td> <td>---</td> </tr> <tr> <td>2 PLACES ±</td> <td>---</td> <td>±.01</td> </tr> <tr> <td>1 PLACE ±</td> <td>0.3</td> <td>---</td> </tr> <tr> <td>0 PLACE ±</td> <td>---</td> <td>---</td> </tr> </table>		mm	INCH	4 PLACES ±	---	---	3 PLACES ±	---	---	2 PLACES ±	---	±.01	1 PLACE ±	0.3	---	0 PLACE ±	---	---
	mm	INCH																	
4 PLACES ±	---	---																	
3 PLACES ±	---	---																	
2 PLACES ±	---	±.01																	
1 PLACE ±	0.3	---																	
0 PLACE ±	---	---																	
	ANGULAR ± 1°																		
	DRAFT WHERE APPLICABLE MUST REMAIN WITHIN DIMENSIONS																		

DIMENSION STYLE		SCALE	DESIGN UNITS
IN/MM		1:1	INCH
DRAWN BY	DATE	TITLE	
RSTONE	2016/01/29	QUICK CHANGE 4 POLE MALE 90 DEG 10/4 TPE BLACK	
CHECKED BY	DATE		
APPROVED BY	DATE		
BWOODMAN	2016/03/25		
MATERIAL NO.		DOCUMENT NO.	SHEET NO.
-		SD-130063-098	1 OF 1

THIRD ANGLE PROJECTION	
<p>molex</p>	
THIS DRAWING CONTAINS INFORMATION THAT IS PROPRIETARY TO MOLEX INCORPORATED AND SHOULD NOT BE USED WITHOUT WRITTEN PERMISSION	