

# 11938MA (4715SL)

## DC Axial Fan

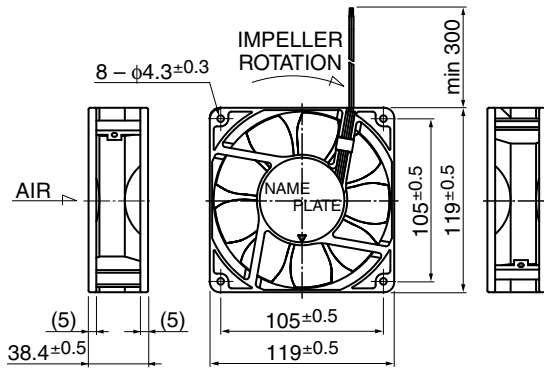
# 119<sup>□</sup>X38<sup>L</sup>



### General Specifications

Motor Protection	Auto Restart / Polarity Protection
Insulation Resistance	10MΩ or over with a DC500V Megger
Dielectric Withstand Voltage	AC700V 1s
Allowable Ambient	- 10°C ~ + 70°C (Operating)
Temperature Range	- 40°C ~ + 70°C (Storage)
	non-condensing environment

### Outline

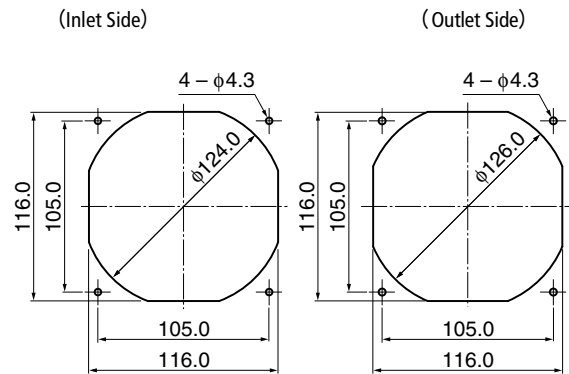


### Expected Life

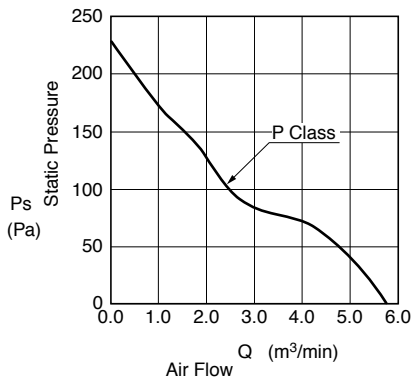
※ Failure Rate: 10% (L10 Life)

25°C 100,000 (Hours)

### Panel Out-cuts



### Characteristic Curves



### Material

Casing	: Aluminum (Black Painting)
Impeller	: Plastic (Black) UL94V-0
Bearing	: Ball Bearing
Lead Wire	: UL10368 AWG24 + : Red, - : Black

Customize service for IP compatible type and Oil-proof type is available for this item. Please contact to our sales representative for more detail.

### Specifications

Model	Product No.	Rating Voltage	Operating Voltage	Current	Input Power	Speed	Max. Air Flow		Max. Static Pressure	Noise	Mass	
		(V)	(V)	(A)*1	(W)*1	(min <sup>-1</sup> )*1	(m <sup>3</sup> /min)*1	(CFM)*1	(Pa)*1	(In H <sub>2</sub> O)*1	(dB)*1	(g)
11938MA-24P-EA-	D0	24	18.0 ~ 26.4	0.95	22.80	4700	5.75	203.0	229.0	0.92	59.0	400

Rotation: Clockwise as seen from the label side  
Airflow Outlet: Label side

\*1: Average Values in Free Air