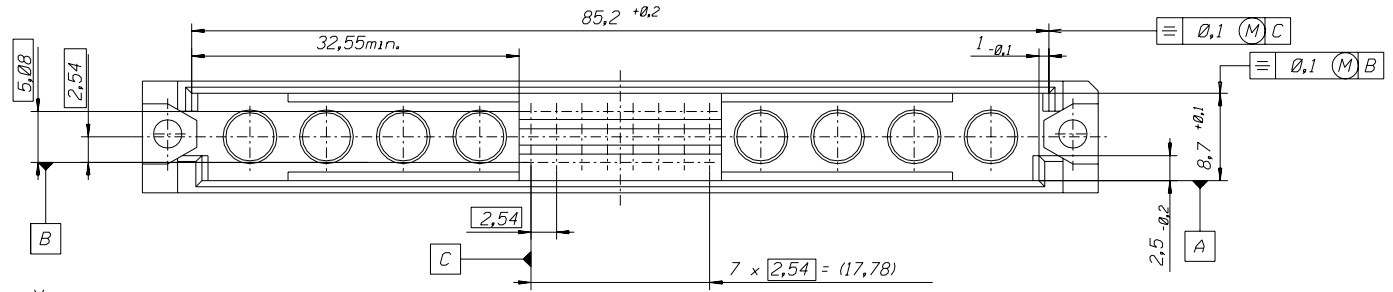
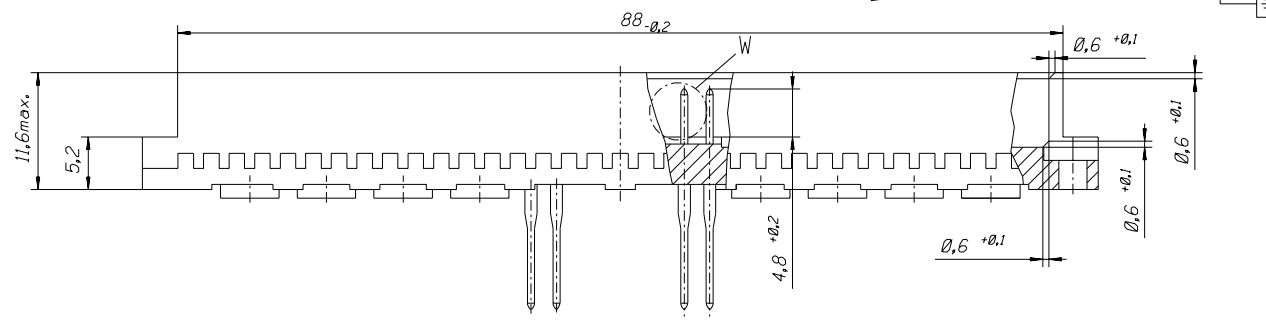
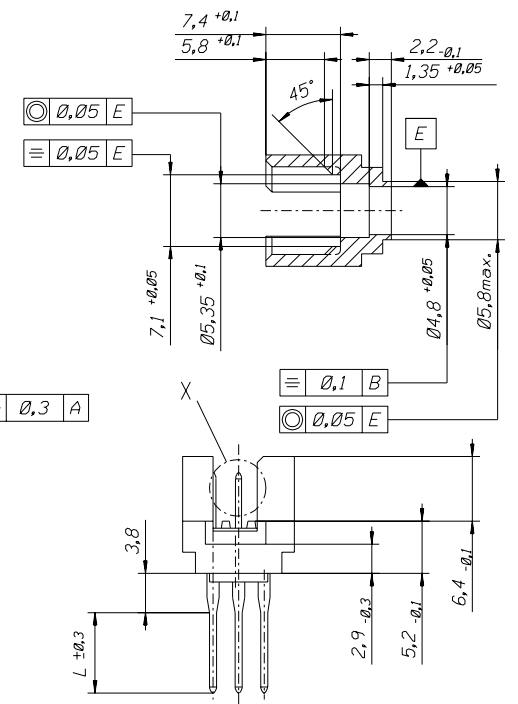
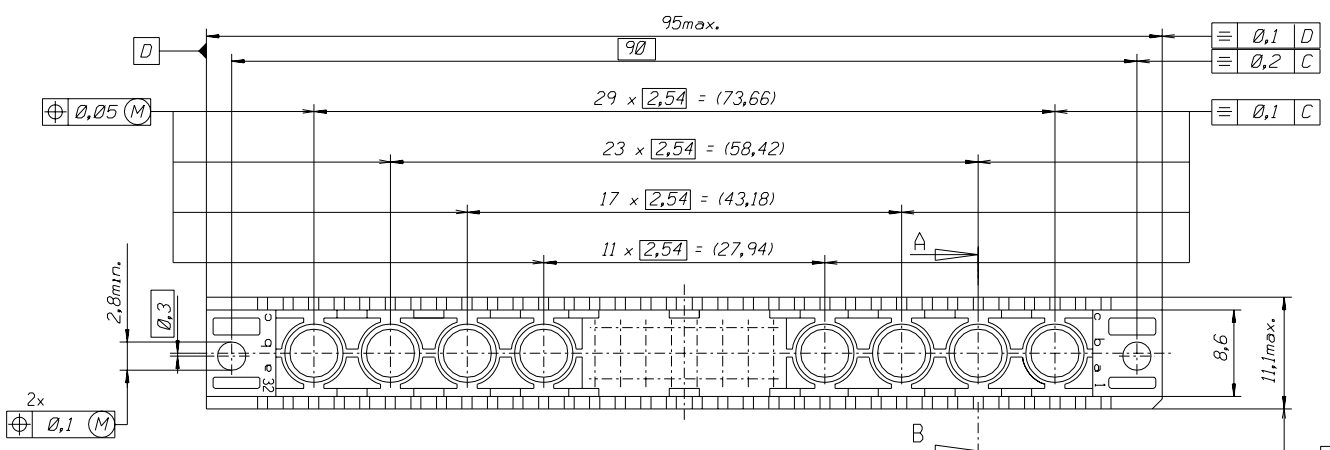
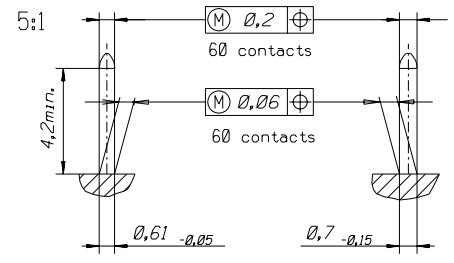


PART NO.
DWG. NO.

Section A-B
(without contacts)



View X



View W
5:1

FIRST ANGLE PROJECTION		REVISE ONLY ON CAD SYSTEM		SH.	REV.
REVISIONS FOR PREVIOUS REVISIONS SEE WRL LIST	UNLESS OTHERWISE SPECIFIED TOLERANCES: ANGULAR ±2°	DRWG BY	SIGN	CAD/CAM PROJECT NAME 60393251 dgn	
	INCH	Ca		THIS DRAWING CONTAINS INFORMATION THAT IS PROPRIETARY TO MOLEX INC. & SHOULD NOT BE USED WITHOUT WRITTEN PERMISSION	
	METRIC	CHK'D BY	SIGN	TITLE 24 pos. Male connector DIN 41612 style M (C-Pin) inverted / Dimensions	
	DRAFT WHERE APPLICABLE MUST REMAIN WITHIN DIMENSIONS	KN		MOLEX EUROPE	
DESIGN DIMENSION	<input type="checkbox"/> MM <input type="checkbox"/> IN.	APP'D BY	SIGN	SHEET NO.	DATE
EQUIVALENT DIMENSION	<input type="checkbox"/> MM <input type="checkbox"/> IN.			1 OF 3	93/05/05
SCALE	2:1	PART NO.	DWG NO.	SIZE	
IF TWO DIMENSIONS ARE SHOWN THE UPPER IS THE DESIGN DIMENSION, LOWER IS SECONDARY		see sh. no. 2 of 3	603-6093-25	B	

	85017-0323	NO	2		2	1,2,3...8 a+b+c
24P-6093-042V-9	85017-0397	yes	2	-----	2	1,2,3...8 a+b
24P-6093-0733-6	85017-0244	no	1/2	Wire wrap	16, 4	1,2,3...8 a+b+c
24P-6093-072V-9	85017-0220	yes	2	-----	2	1,2,3...8 a+b+c
24P-6093-072V-8	85017-0218	yes	2	Wire wrap	9, 4	1,2,3...8 a+b+c
24P-6093-072V-7	85017-0206	yes	2	Wire wrap	13, 3	1,2,3...8 a+b+c
24P-6093-072V-6	85017-0191	yes	2	Wire wrap	16, 4	1,2,3...8 a+b+c
24P-6093-0722-9	85017-0036	no	1	-----	2	1,2,3...8 a+b+c
24P-6093-0531-9	85017-0232	no	2	-----	2	1,2,3...8 a+c
Engineering number	Ordering code	Molex std.	Perform.level hard gold acc.MIL-G45204	Termination / L	Contact sequence / row	



RoHS COMPLIANT

IEC NO: 12006-0679 DRAWN BY: SHANKAR CHKD BY: SSUDHIR APPR: SSUDHIR DATE: 2006/06/06	QUALITY SYMBOLS ▽-0 ▽-0	GENERAL TOLERANCES (UNLESS SPECIFIED)		DIMENSION STYLE MM ONLY		SCALE NTS	DESIGN UNITS METRIC	THIRD ANGLE PROJECTION
		4 PLACES ± 3 PLACES ± 2 PLACES ± 1 PLACE ±	mm INCH	DRAWN BY SHANKAR DATE 2006/06/06	CHECKED BY SSUDHIR DATE 2006/06/06	TITLE ASSY DIN 41612 STYLE M INVERTED, 24 POS MALE C-PIN, CONNECTOR		MOLEX INCORPORATED
DRAFT WHERE APPLICABLE MUST REMAIN WITHIN DIMENSIONS		ANGULAR ±		MATERIAL NO. SEE CHART		DOCUMENT NO. SD-85017-005		THIS DRAWING CONTAINS INFORMATION THAT IS PROPRIETARY TO MOLEX INCORPORATED AND SHOULD NOT BE USED WITHOUT WRITTEN PERMISSION

- 1. General : Technical Data
24pos. Male connector acc.DIN 41612 style M inverted
(C-Pin)
- 2. Material :
- 2.1 Moulding material : Thermoplastic Polyester GV30 grey RAL 7032
- 2.1.1 Moulding material
burning properties acc. to UL94 V0
- 2.1.2 Resistance against
solvents : good
- 2.2 Pin contact : CuSn
- 2.2.1 Contact plating : Performance level I or II (Test acc.DIN 41612 part.5)
- 3. Printing : Part.No., date of manufacturing



RoHS COMPLIANT

EC NO: 2006-0679 DRAWING APPROVED CROSS CHECKED APPROVED BY A	QUALITY SYMBOLS ▼-0 ▽-0	GENERAL TOLERANCES (UNLESS SPECIFIED) <table border="1"> <tr> <th></th> <th>MM</th> <th>INCH</th> </tr> <tr> <td>4 PLACES ±</td> <td>±</td> <td>±</td> </tr> <tr> <td>3 PLACES ±</td> <td>±</td> <td>±</td> </tr> <tr> <td>2 PLACES ±</td> <td>±</td> <td>±</td> </tr> <tr> <td>1 PLACE ±</td> <td>±</td> <td>±</td> </tr> </table>		MM	INCH	4 PLACES ±	±	±	3 PLACES ±	±	±	2 PLACES ±	±	±	1 PLACE ±	±	±	DIMENSION STYLE MM ONLY	SCALE NTS	DESIGN UNITS METRIC	<input checked="" type="checkbox"/> THIRD ANGLE PROJECTION
		MM	INCH																		
4 PLACES ±	±	±																			
3 PLACES ±	±	±																			
2 PLACES ±	±	±																			
1 PLACE ±	±	±																			
DRAWN BY SHANKAR CHECKED BY SSUDHIR APPROVED BY SSUDHIR	DATE 2006/06/06 DATE 2006/06/06 DATE 2006/06/06	TITLE ASSY DIN 41612 STYLE M INVERTED, 24 POS MALE C-PIN CONNECTOR	MOLEX INCORPORATED	MATERIAL NO. SEE SHEET 2	DOCUMENT NO. SO-85017-005	SHEET NO. 3 OF 3															

THIS DRAWING CONTAINS INFORMATION THAT IS PROPRIETARY TO MOLEX INCORPORATED AND SHOULD NOT BE USED WITHOUT WRITTEN PERMISSION