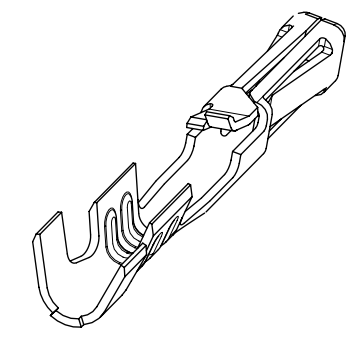


- NOTES:
- MATERIAL: PHOSPHOR BRONZE
 - PLATING:
 - 124 = SELECT BRIGHT TIN: 3.75 MICROMETERS MIN OVER NICKEL
 - P124 = PREPLATED BRIGHT TIN: 3.75 MICROMETERS MIN OVER MATTE NICKEL (BARE EDGES)
 - 207 = SELECT HARD GOLD: 0.38 MICROMETERS MIN.
SELECT TIN: 2.0 MICROMETERS MIN BOTH OVER NICKEL
 - 206 = SELECT HARD GOLD: 0.75 MICROMETERS MIN.
SELECT TIN: 2.0 MICROMETERS MIN BOTH OVER NICKEL
 - PRODUCT SPECIFICATION: TERMINALS CONFORM TO PS-70058 AND PS-70400 WHEN CRIMPED WITH MOLEX CRIMP TOOLS.
 - COSMETIC SPECIFICATION: PS-45499-002 CLASS B
 - TERMINAL FOR USE WITH HOUSING SERIES 70066 AND 70450
 - WIRE SPECIFICATION: TERMINALS STAMPED WITH THE LETTER:
 - A = ACCEPTS 24-30 AWG STRANDED WIRE WITH A 1.52 MAX INSULATION DIA
 - SEE 700580000-SD FOR THIS PART WITH SINGLE NUMBER SYSTEM

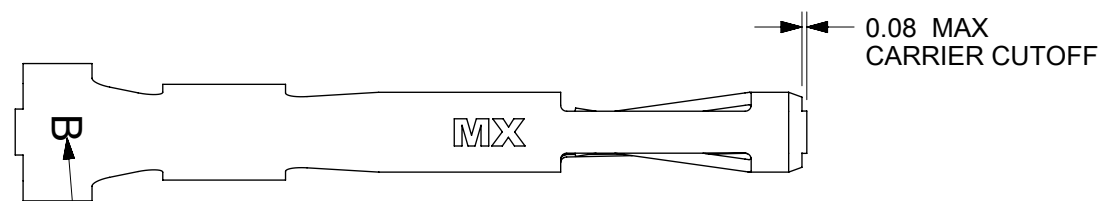
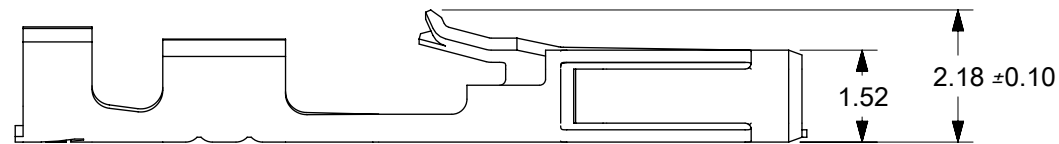
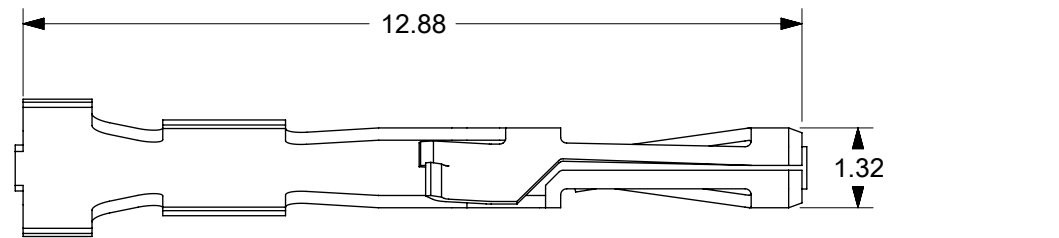
TERMINALS ON THIS SHEET ARE FOR USE WITH 24-30 AWG WIRE. SEE SHEETS 2 AND 3 FOR OTHER WIRE SIZES



(24-30 AWG WIRE)

PART NUMBER / ENGINEERING NO	PACKAGING	PLATING SEE NOTE 2	WIRE SIZE	MAX INSULATION DIA
16-02-0069 70058-0004	REEL	124 SELECT TIN	24-30 AWG	1.52 DIA MAX
16-02-0096 70058-0204	LOOSE			
70058-4069	REEL	P124 OVERALL TIN		
16-02-0082 70058-0006	REEL	207 0.38 GOLD		
16-02-0097 70058-0206	LOOSE			
16-02-0083 70058-0008	REEL	206 0.75 GOLD		
16-02-0098 70058-0208	LOOSE			

SYMBOLS	THIS DRAWING CONTAINS INFORMATION THAT IS PROPRIETARY TO MOLEX ELECTRONIC TECHNOLOGIES, LLC AND SHOULD NOT BE USED WITHOUT WRITTEN PERMISSION		
	DIMENSION UNITS	SCALE	CURRENT REV DESC: GENERIC TOL TYPO CORRECTED
▽ = 0	mm	8:1	EC NO: 648676 DRWN: SMAHAJANSHET 2020/11/05 CHK'D: NCSR 2020/12/01 APPR: NCSR 2020/12/01
▽ = 0	GENERAL TOLERANCES (UNLESS SPECIFIED)		
▽ = 0	ANGULAR TOL	± °	INITIAL REVISION: DRWN: KSAMIEC 2018/07/23 APPR: FSMITH 2018/08/27
▽ = 0	4 PLACES	±	
▽ = 0	3 PLACES	±	DOCUMENT NUMBER 700580001-SD
▽ = 0	2 PLACES	± 0.15	
▽ = 0	1 PLACE	± 0.25	DOC TYPE DOC PART REVISION PSD 000 B
▽ = 0	0 PLACES	± 0.0	
▽ = 0	DRAFT WHERE APPLICABLE MUST REMAIN WITHIN DIMENSIONS	THIRD ANGLE PROJECTION	MATERIAL NUMBER SEE CHART
▽ = 0		DRAWING SERIES B-SIZE 70058	
			CUSTOMER GENERAL MARKET
			SHEET NUMBER 1 OF 4



TERMINALS STAMPED WITH THE LETTER "B"
ACCEPT 32-36 AWG WIRE WITH A 0.64 MAX INSULATION DIA

NOTES:

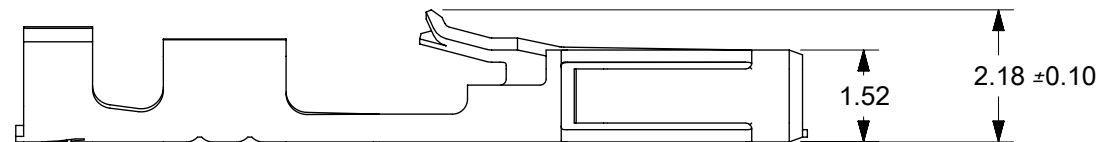
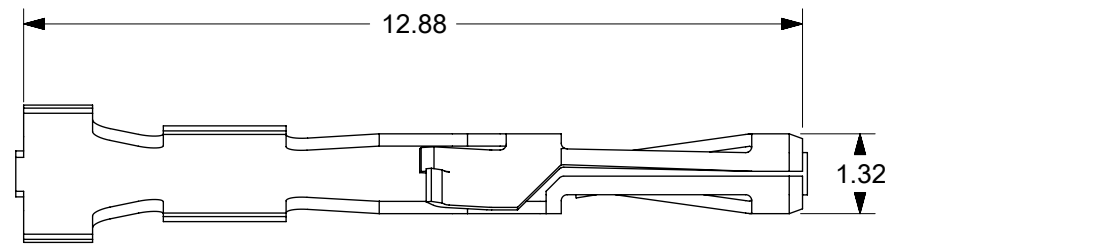
1. MATERIAL: PHOSPHOR BRONZE
2. PLATING:
207 = SELECT HARD GOLD: 0.38 MICROMETERS MIN.
SELECT TIN: 2.0 MICROMETERS MIN BOTH OVER NICKEL
206 = SELECT HARD GOLD: 0.75 MICROMETERS MIN.
SELECT TIN: 2.0 MICROMETERS MIN BOTH OVER NICKEL
3. PRODUCT SPECIFICATION: TERMINALS CONFORM TO PS-70058 AND PS-70400 WHEN CRIMPED WITH MOLEX CRIMP TOOLS.
4. COSMETIC SPECIFICATION: PS-45499-002 CLASS B
5. TERMINAL FOR USE WITH HOUSING SERIES 70066 AND 70450
6. WIRE SPECIFICATION: TERMINALS STAMPED WITH THE LETTER:
B = ACCEPTS 32-36 AWG STRANDED WIRE WITH A 0.64 MAX INSULATION DIA.

TERMINALS ON THIS SHEET ARE FOR USE
WITH 32-36 AWG WIRE.
SEE SHEETS 1 AND 3 FOR OTHER WIRE SIZES

PART NUMBER / ENGINEERING NO	PACKAGING	PLATING SEE NOTE 2	WIRE SIZE	MAX INSULATION DIA
16-02-0074 70058-0015	REEL	207 0.38 GOLD	32-36	0.64 DIA MAX
16-02-0085 70058-0017	REEL	206 0.75 GOLD		
16-02-0101 70058-0217	LOOSE			

(32-36 AWG WIRE)

SYMBOLS	THIS DRAWING CONTAINS INFORMATION THAT IS PROPRIETARY TO MOLEX ELECTRONIC TECHNOLOGIES, LLC AND SHOULD NOT BE USED WITHOUT WRITTEN PERMISSION		
	DIMENSION UNITS	SCALE	CURRENT REV DESC: GENERIC TOL TYPO CORRECTED
▽ = 0	mm	8:1	EC NO: 648676 DRWN: SMAHAJANSHET 2020/11/05 CHK'D: NCSR 2020/12/01 APPR: NCSR 2020/12/01
▽ = 0	GENERAL TOLERANCES (UNLESS SPECIFIED)		
▽ = 0	ANGULAR TOL ± °		INITIAL REVISION: DRWN: KSAMIEC 2018/07/23 APPR: FSMITH 2018/08/27
▽ = 0	4 PLACES ±		
▽ = 0	3 PLACES ±		DOCUMENT NUMBER 700580001-SD
▽ = 0	2 PLACES ± 0.15		
▽ = 0	1 PLACE ± 0.25		DOC TYPE PSD
▽ = 0	0 PLACES ± 0.0		
▽ = 0	DRAFT WHERE APPLICABLE MUST REMAIN WITHIN DIMENSIONS	THIRD ANGLE PROJECTION	SERIES B-SIZE 70058
▽ = 0		DRAWING	
			MATERIAL NUMBER SEE CHART
			CUSTOMER GENERAL MARKET
			REVISION 000 B
			SHEET NUMBER 2 OF 4



TERMINALS STAMPED WITH THE LETTER "C"
ACCEPT 22-24 AWG WIRE WITH A 1.63 MAX INSULATION DIA

NOTES:

- MATERIAL: PHOSPHOR BRONZE
- PLATING:
 - 124 = SELECT BRIGHT TIN: 3.75 MICROMETERS MIN OVER NICKEL
 - P124 = PREPLATED BRIGHT TIN: 3.75 MICROMETERS MIN OVER MATTE NICKEL (BARE EDGES)
 - 207 = SELECT HARD GOLD: 0.38 MICROMETERS MIN.
SELECT TIN: 2.0 MICROMETERS MIN BOTH OVER NICKEL
 - 206 = SELECT HARD GOLD: 0.75 MICROMETERS MIN.
SELECT TIN: 2.0 MICROMETERS MIN BOTH OVER NICKEL
- PRODUCT SPECIFICATION: TERMINALS CONFORM TO PS-70058 AND PS-70400 WHEN CRIMPED WITH MOLEX CRIMP TOOLS.
- COSMETIC SPECIFICATION: PS-45499-002 CLASS B
- TERMINAL FOR USE WITH HOUSING SERIES 70066 AND 70450
- WIRE SPECIFICATION: TERMINALS STAMPED WITH THE LETTER:
C = ACCEPTS 22-24 AWG STRANDED WIRE WITH A 1.63 MAX INSULATION DIA

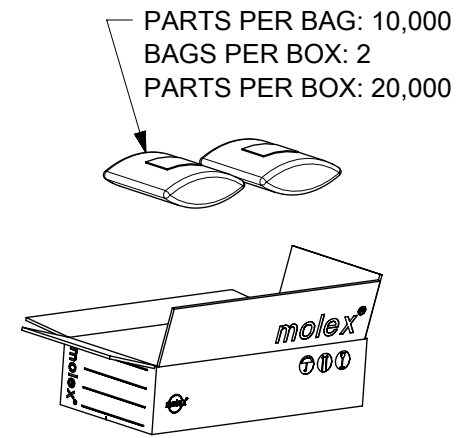
TERMINALS ON THIS SHEET ARE FOR USE
WITH 22-24 AWG WIRE.
SEE SHEETS 1 AND 2 FOR OTHER WIRE SIZES

PART NUMBER / ENGINEERING NO:	PACKAGING	PLATING SEE NOTE 2	WIRE SIZE	MAX INSULATION DIA
16-02-0086 70058-0022	REEL	124 SELECT TIN	22-24 AWG	1.63 DIA MAX
16-02-0102 70058-0222	LOOSE			
70058-4086	REEL	124 OVERALL TIN		
16-02-0087 70058-0024	REEL	207 0.38 GOLD		
16-02-0103 70058-0224	LOOSE			
16-02-0088 70058-0026	REEL	206 0.75 GOLD		
16-02-0104 70058-0226	LOOSE			

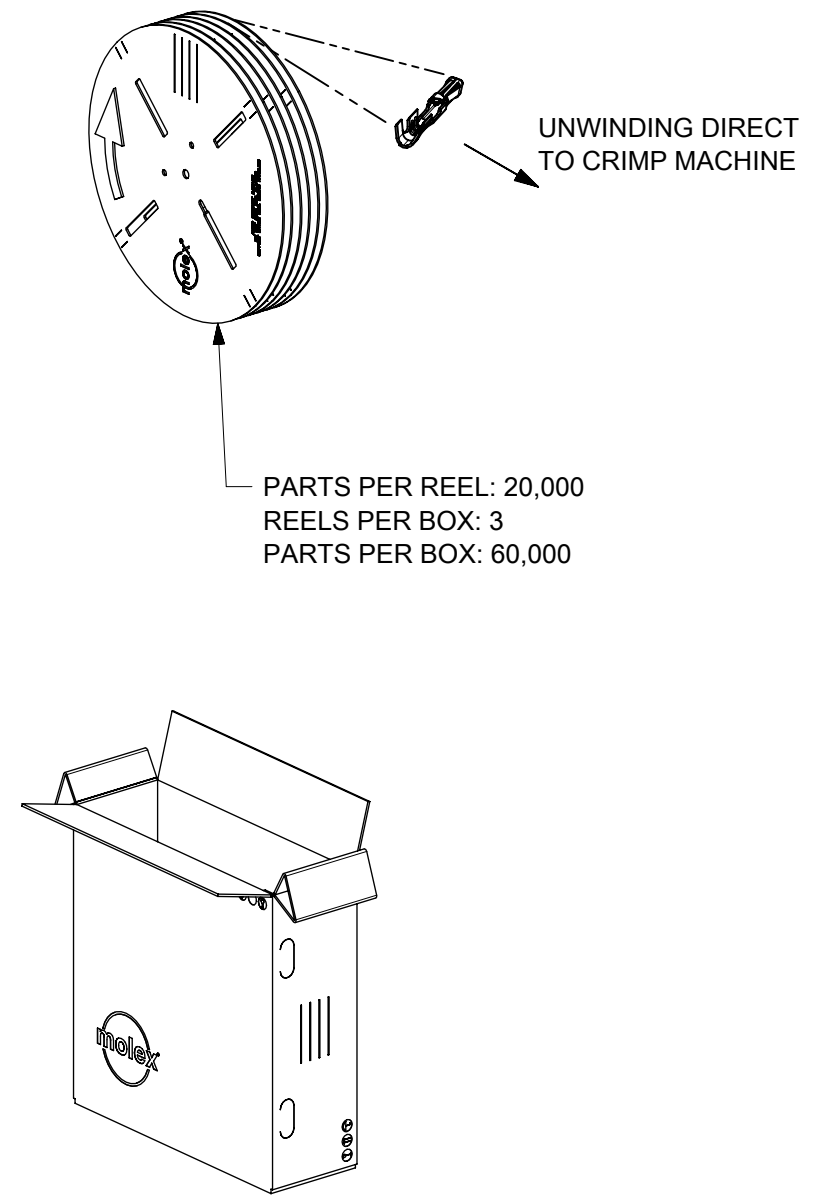
(22-24 AWG WIRE)

SYMBOLS	THIS DRAWING CONTAINS INFORMATION THAT IS PROPRIETARY TO MOLEX ELECTRONIC TECHNOLOGIES, LLC AND SHOULD NOT BE USED WITHOUT WRITTEN PERMISSION			
	DIMENSION UNITS	SCALE		
▽ = 0	mm	8:1	EC NO: 648676	
▽ = 0	GENERAL TOLERANCES (UNLESS SPECIFIED)		DRWN: SMAHAJANSHET 2020/11/05	
▽ = 0	ANGULAR TOL ± °		CHK'D: NCSR 2020/12/01	
▽ = 0	4 PLACES	±	APPR: NCSR 2020/12/01	
▽ = 0	3 PLACES	±	INITIAL REVISION:	
▽ = 0	2 PLACES	± 0.15	DRWN: KSAMIEC 2018/07/23	
▽ = 0	1 PLACE	± 0.25	APPR: FSMITH 2018/08/27	
▽ = 0	0 PLACES	± 0.0	DOCUMENT NUMBER	
■ = 0	DRAFT WHERE APPLICABLE MUST REMAIN WITHIN DIMENSIONS		700580001-SD	
▽ = 0	THIRD ANGLE PROJECTION	DRAWING	DOC TYPE DOC PART REVISION	
		B-SIZE	PSD 000 B	
	SERIES	MATERIAL NUMBER	CUSTOMER	
	70058	SEE CHART	GENERAL MARKET	
			SHEET NUMBER	
			3 OF 4	

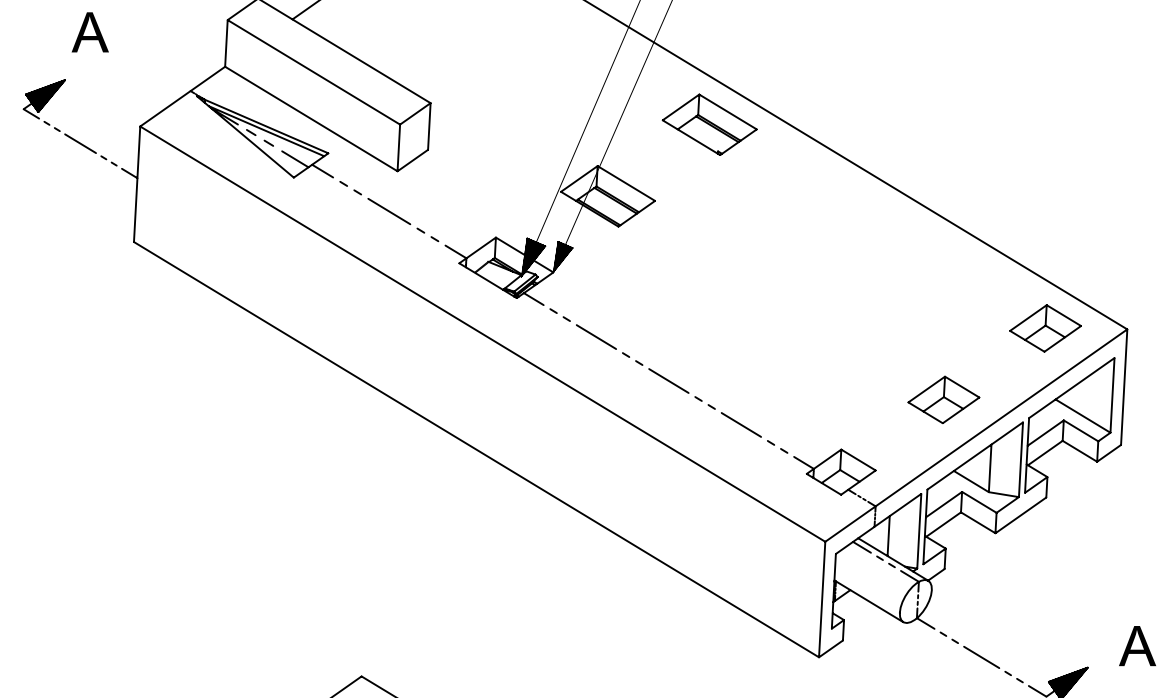
LOOSE PACKED



REEL PACKED



WHEN TERMINALS ARE FULLY INSERTED INTO THE HOUSINGS. THE TERMINAL'S LOCKING TANG SHOULD BE VISABLE IN THE HOUSING'S WINDOWS



HOUSING WINDOWS

TERMINAL LOCKING TANGS

SECTION A-A

CRIMPED TERMINALS SHOULD BE INSERTED INTO THE HOUSING IN THIS DIRECTION WITH THE LOCKING TANGS FACING UP TOWARD THE HOUSING WINDOWS

THIS DRAWING CONTAINS INFORMATION THAT IS PROPRIETARY TO MOLEX ELECTRONIC TECHNOLOGIES, LLC AND SHOULD NOT BE USED WITHOUT WRITTEN PERMISSION									
SYMBOLS	DIMENSION UNITS	SCALE	CURRENT REV DESC: GENERIC TOL TYPO CORRECTED						
	mm	1:15	EC NO: 648676 DRWN: SMAHAJANSHET 2020/11/05 CHK'D: NCSR 2020/12/01 APPR: NCSR 2020/12/01 INITIAL REVISION: DRWN: KSAMIEC 2018/07/23 APPR: FSMITH 2018/08/27						
GENERAL TOLERANCES (UNLESS SPECIFIED)		molex SL CRIMP TERMINAL PRODUCT CUSTOMER DRAWING							
▽ = 0	ANGULAR TOL	± °	DOCUMENT NUMBER						
▽ = 0	4 PLACES	±	700580001-SD				DOC TYPE	DOC PART	REVISION
▽ = 0	3 PLACES	±	SEE CHART				PSD	000	B
▽ = 0	2 PLACES	± 0.15	MATERIAL NUMBER				CUSTOMER		
▽ = 0	1 PLACE	± 0.25	GENERAL MARKET				SHEET NUMBER		
▽ = 0	0 PLACES	± 0.0	4 OF 4						
■ = 0	DRAFT WHERE APPLICABLE MUST REMAIN WITHIN DIMENSIONS		THIRD ANGLE PROJECTION	DRAWING	SERIES				
▽ = 0			⊕	B-SIZE	70058				