

6

5

4

3

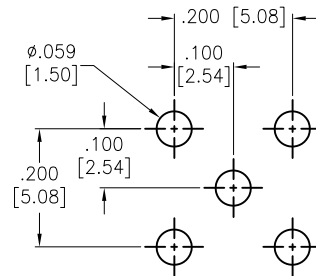
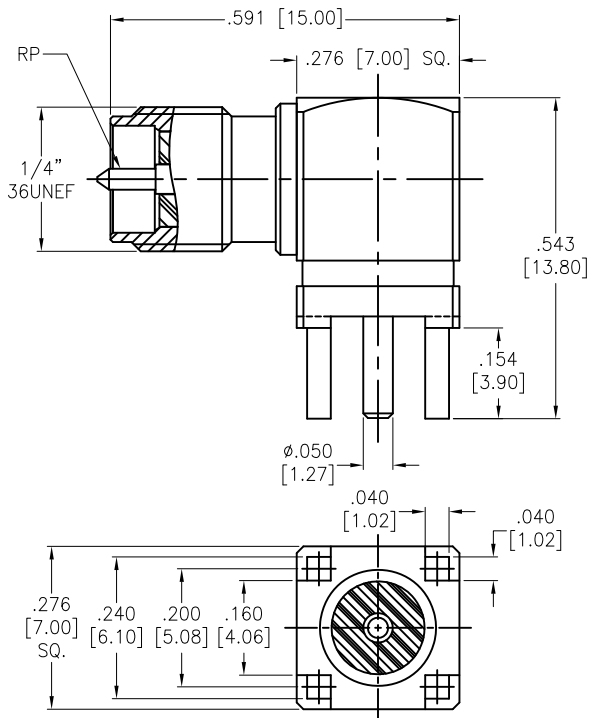
2

1

APPROVED: _____

DATE: _____ TITLE: _____

Rev	AWO #	Description	Date	Appr
-		RELEASED	11/2/17	



RECOMMENDED PCB LAYOUT

CENTER PIN	BRASS	GOLD
INSULATOR	TEFLON	N/A
BODY	BRASS	GOLD
DESCRIPTION	MATERIAL	FINISH

SPECIFICATIONS:

Electrical:
 Nominal Impedance: 50 ohms
 Environmental:
 Lead free, RoHS compliant.



UNLESS OTHERWISE SPECIFIED
 ALL DIMENSIONS ARE INCHES [MM]
 TOLERANCES: EXCEPT AS NOTED
 INCHES HOLES

.X	\pm .10	ϕ .X	\pm .10
.XX	\pm .020	ϕ .XX	\pm .015
.XXX	\pm .015	ϕ .XXX	\pm .010

ADAM TECH

909 Rahway Avenue, Union, NJ 07083
 Phone: 908-687-5000 Fax: 908-687-5710

APPROVALS		DATE
DRAWN	AY	11/2/17
CHECKED	NC	11/2/17
APPROVED		

TITLE RF CONNECTOR, SMA PCB MOUNT JACK, 50 OHM REVERSE POLARITY MALE PIN, GOLD PLATED		
SIZE X	PART NO. RF2-03N-T-00-50-G-RP	REV. -
REF: S00291T	SCALE: NTS	SHEET 1 OF 1

6

5

4

3

2

1