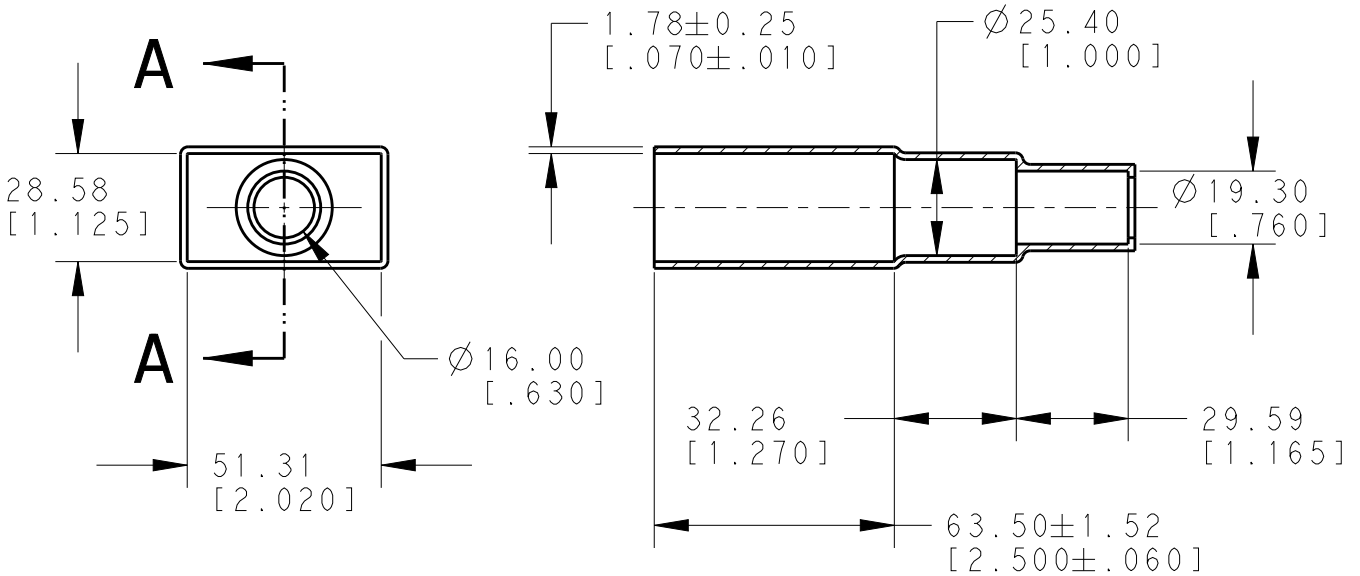


REVISIONS					
P	LTR	DESCRIPTION	DATE	DWN	APVD
	A	NEW RELEASE PER ECO-14-009836	07-01-14	DM	DM
	A1	REVISED PER PCN E-18-002788	23FEB2018	JA	DM
	A2	REVISED PER PCN E-18-006789	03MAY2018	SM	DM



SECTION A-A

3. THIS ACCESSORY PART IS PROVIDED WITHOUT TYPICAL TRANSPORTATION INDUSTRY PROCESS CONTROLS. NO VALIDATION TESTING HAS BEEN PERFORMED. CUSTOMER IS RESPONSIBLE FOR DETERMINING PRODUCT PERFORMANCE AND SUITABILITY FOR APPLICATION.
2. TEMPERATURE RATING: -29°C TO +100°C [-20°F TO +212°F]
1. THIS PART IS USED ON
 DRC12-24PX(E)-XXXX RECEPTACLE
 DRC14-24PX(E)-XXXX RECEPTACLE
 DRC16-24SX(E)-XXXX PLUG
 WHERE X=A,B,C,D KEYS AND XXXX=MODIFICATION

NOTES:

TE INTERNAL PN	DEUTSCH PN
DRC24-BT	DRC24-BT

DIMENSIONS: mm [INCH]	DWN D.MEYER	01JUL2014	MATERIAL	PVC	FINISH	BLACK
	CHK D.HASIBUAN	01JUL2014	TE Connectivity			
TOLERANCES UNLESS OTHERWISE SPECIFIED:	APVD D.MEYER	01JUL2014				
0 PLC ±	PRODUCT SPEC		SIZE	CAGE CODE	DRAWING NO	RESTRICTED TO
1 PLC ±	APPLICATION SPEC		A4	44AFU8	©-DRC24-BT	-
2 PLC ±			WEIGHT	37.50 g		
3 PLC ±0.64 [.025]			CUSTOMER DRAWING			
4 PLC ±			SCALE	1:2	SHEET	1 OF 1
ANGLES ± 5°					REV	A2

2018
 RELEASED FOR PUBLICATION
 ALL RIGHTS RESERVED.
 BY TE CONNECTIVITY
 COPYRIGHT 2014
 THIS DRAWING IS UNCLASSIFIED.