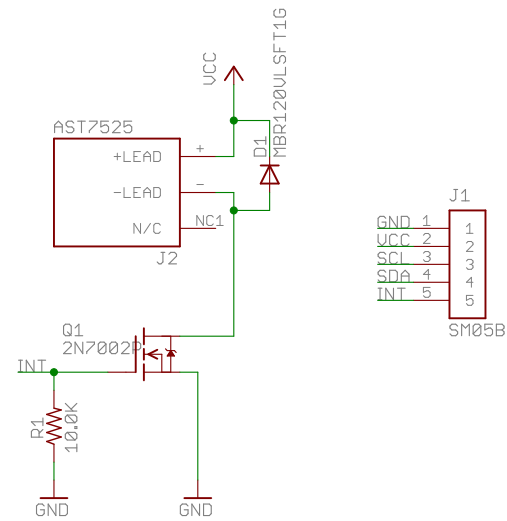



Buzzer and Driver



Variant: Standard - R
Non Populated: -
Hand Populated: -
Hand Soldered: -
Notes: -

Released under the Creative Commons Attribution Share-Alike 3.0 License
<http://creativecommons.org/licenses/by-sa/3.0>

Original Arduino Uno Design by Team Arduino
LilyPad Arduino Design by Leah Buechley and Sparkfun Electronics
TinyDuino, TinyLily and TinyShield Designs by TinyCircuits

		http://www.TinyCircuits.com	
TITLE: Wiring Buzzer			
Document Number: AS-SCH-AST1035			REV: 1
Date: 11/6/2019 1:44:42 PM			Sheet: 1/1