

Single Port Low Profile 10G RJ45

ARLP11-4596I



- 10G Base-T for LAN and other Ethernet Applications
- Low Profile Design
- Industrial Operating Temp. Range: -40°C to +85°C

Electrical Specifications @ 25°C

OCL(μH Min) @100KHZ,0.1V With 8mA DC Bias	DCR (Ω Max)	Turns Ratio @100KHz, 0.1V (1:1±5%)				Insertion Loss (dB Max)		
						1-100MHz	100-250MHz	250-500MHz
160	2.0	P8-P9 : J1-J2	P3-P2 : J3-J6	P4-P5 : J4-J5	P11-P10 : J7-J8	-1.0	-1.5	-3.0

Electrical Specifications @ 25°C

Return Loss (dB Min) (Line Side S11)				Return Loss (dB Min) (PHY Side S22)				Hi-Pot Input to Output 1mA, 60S 1500VAC
1-40MHz	40-100MHz	100-250MHz	250-500MHz	1-40MHz	40-100MHz	100-250MHz	250-500MHz	
-20	-16	-13	-8	-18	-14	-11	-6	

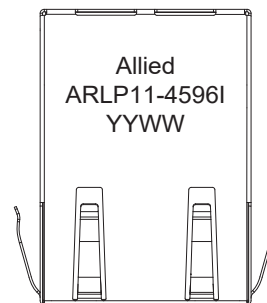
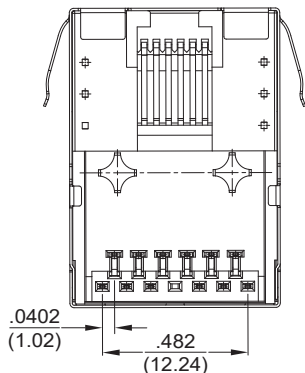
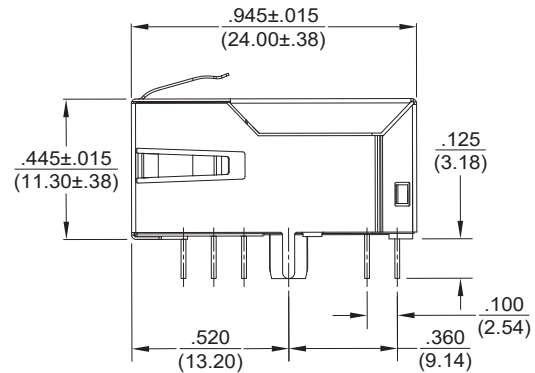
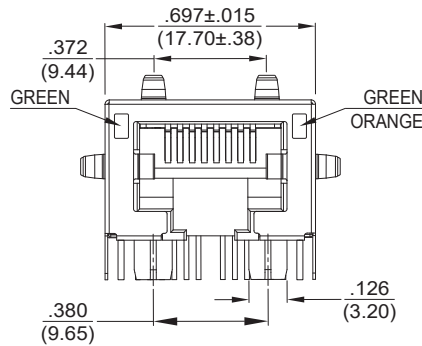
Electrical Specifications @ 25°C

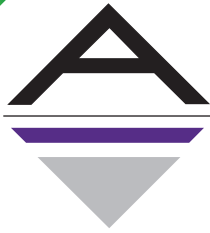
Cross Talk (dB Min)		CMRR (dB Min)			CDMR (dB Min)		
1-100MHz	100-500MHz	1-100MHz	100-250MHz	250-500MHz	1-100MHz	100-250MHz	250-500MHz
-30	-22	-35	-30	-25	-35	-30	-22

All specifications subject to change without notice.

MECHANICAL

Dimensions: $\frac{\text{inch}}{\text{mm}}$

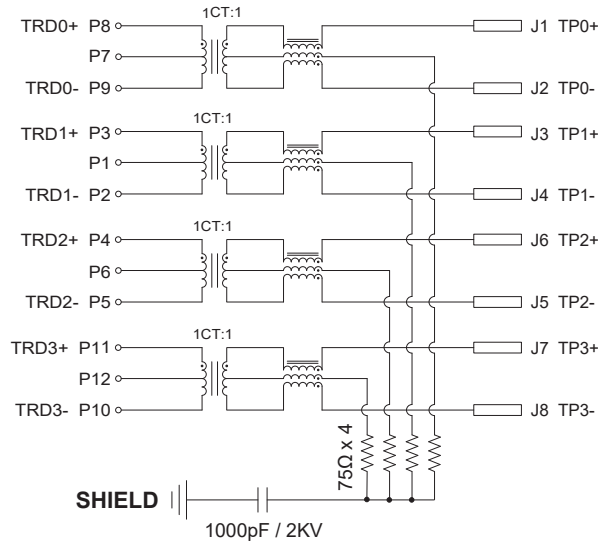




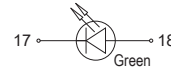
SCHEMATIC

PHY SIDE

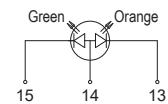
LINE SIDE



Left LED
17- 18+ Green



Right LED
15- 14+ Green
13- 14+ Orange



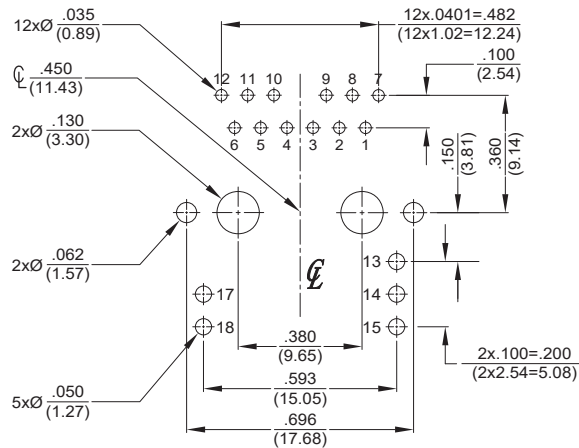
LED Configuration

Standard LED	Wavelength	Forward Voltage
Green	565nm	2.5V Max
Orange	615nm	2.5V Max

*With forward current of 20mA

PCB LAYOUT

Dimensions: $\frac{\text{inch}}{\text{mm}}$



Tolerance: $\pm .002(0.05)$ T=.063(1.60)

NOTES

- Shield:** 0.20mm Thick Brass C2680H
Plating Nickel 20 μ " Min
- Housing:** Plastic: LCP, Glass Fiber Filled
UL94V-0, Color Black
- Contact Pin:** Plastic: LCP, Glass Fiber Filled
UL94V-0, Color Black
Pin: 0.35mm Thick Phosphor Bronze C5210 EH
Plating: Nickel 30 μ "-60 μ " for all and Sn 100%
and Gold Plating 30 μ "
- Insert Pin:** Plastic: High Temperature Plastics
UL94V-0, Color Black
Pin: 0.35mm Thick C2680
Plating: Sn all over 30 μ "-60 μ " Nickel