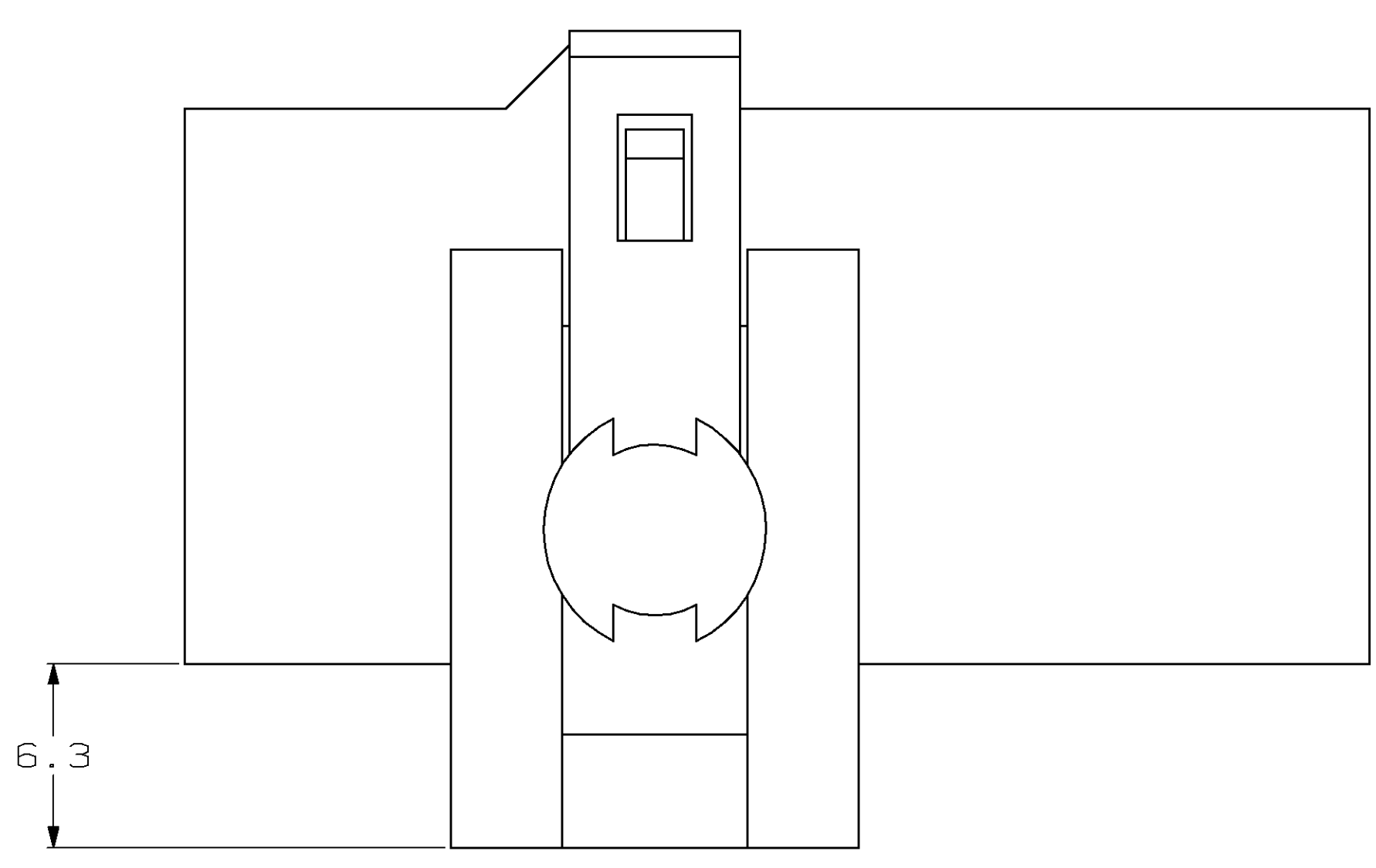
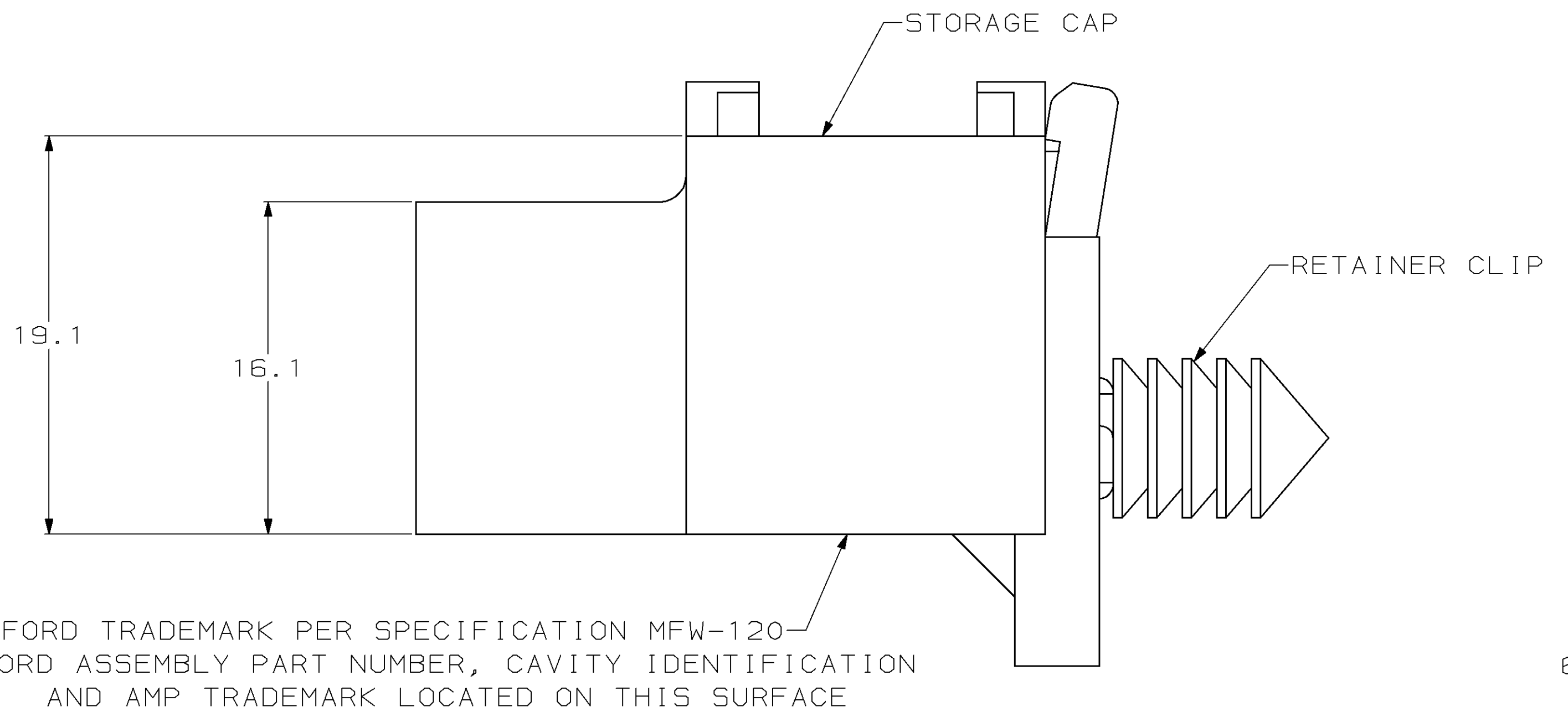
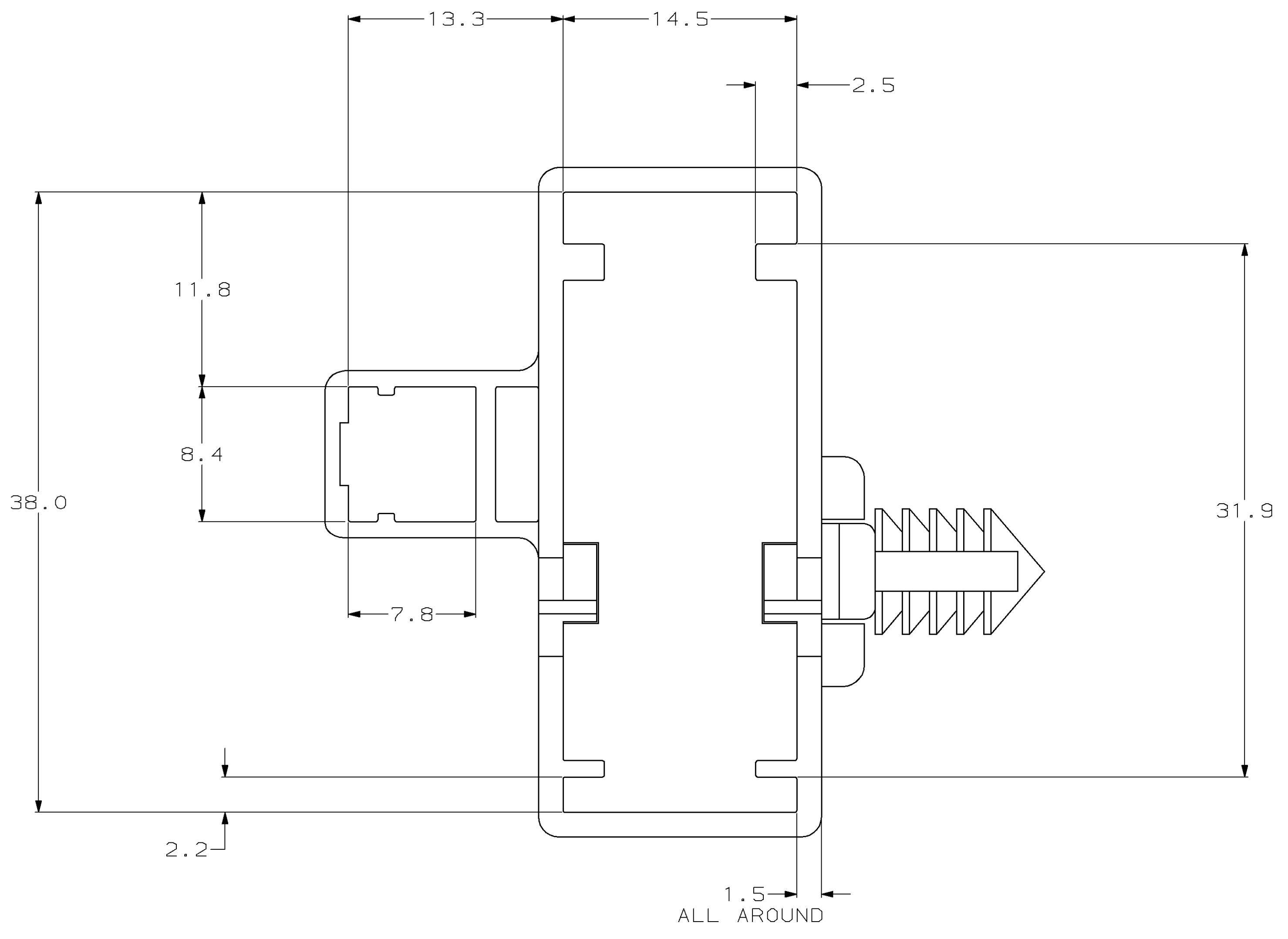


LOC		DIST		REVISIONS				
P	LTR	DATE	DMN	APVD	DESCRIPTION	DATE	DMN	APVD
0		5-26-98	PC	WL	REL PER PR# 98-19	5-26-98		

- 1. MATERIAL: ASTM D4000 PBT0 30% GLASS FILLED
COLOR: BLACK
- 2. 0.1 MAX RADIUS PERMISSIBLE ON EDGES SHOWN AS SHARP
- 3. ALL INSIDE RADII TO BE 0.1 MAX



776242-1
PART NUMBER

THIS DRAWING IS A CONTROLLED DOCUMENT.		DMN P. COLLINS 5-26-98	AMP Incorporated Harrisburg, PA 17105-3508
DIMENSIONS: mm		CHK D. STILLIE 5-26-98	NAME W. LONG
TOLERANCES UNLESS OTHERWISE SPECIFIED:		PRODUCT SPEC	APPLICATION SPEC
0 PLC	±0.50	RESTRICTED TO	
1 PLC	±0.20	SIZE	CAGE CODE
2 PLC	±-	A1	00779
3 PLC	±-	DRAWING NO	776242
4 PLC	±-	WEIGHT	-
ANGLES	±-	CUSTOMER DRAWING	SCALE 5:1
MATERIAL	FINISH		SHEET 1 OF 1
			REV 0