

注記 NOTES

1. 材質 MATERIAL
 ハウジング: PBT, ガラス充填, UL94V-0, 自然色
 HOUSING: POLYBUTYLENE TEREPHTHALATE, GLASS FILLED, UL94V-0, NATURAL
 ターミナル: 銅合金 (t=0.5)
 TERMINAL: COPPER ALLOY (t=0.5)
 金具: リン青銅 (t=0.48)
 METAL PEG: PHOSPHOR BRONZE (t=0.48)

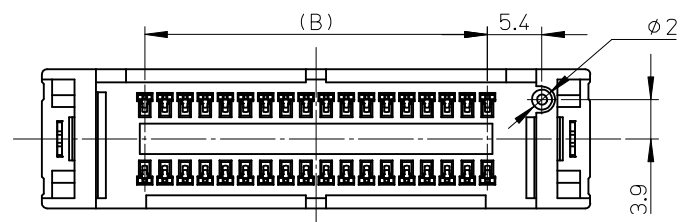
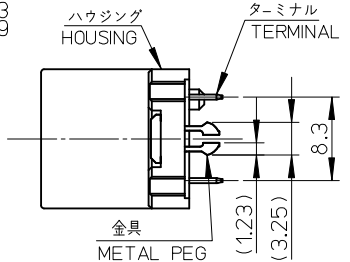
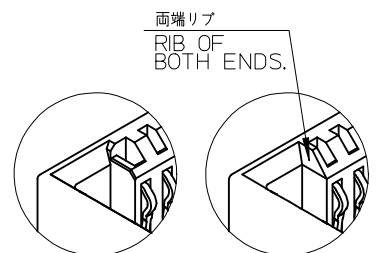
2. メッキ仕様 FINISHES

ターミナル TERMINAL
 接点部: ニッケル下地金メッキ
 CONTACT AREA: GOLD OVER NICKEL PLATING.
 金メッキ 0.1マイクロメートル以上
 GOLD 0.1 MICROMETERS MINIMUM.
 ニッケル下地めっき 1.0マイクロメートル以上
 NICKEL 1.0 MICROMETERS MINIMUM.
 半田付け部: ニッケル下地銅メッキ
 SOLDER TAIL: TIN OVER NICKEL PLATING
 錫メッキ 1.0マイクロメートル以上
 TIN 1.0 MICROMETERS MINIMUM.
 ニッケル下地メッキ 1.0マイクロメートル以上
 NICKEL 1.0 MICROMETERS MINIMUM.
 金具: ニッケル下地銅メッキ
 METAL PEG: TIN OVER NICKEL PLATING.
 錫メッキ 1.0マイクロメートル以上
 TIN 1.0 MICROMETERS MINIMUM.
 ニッケル下地メッキ 1.0マイクロメートル以上
 NICKEL 1.0 MICROMETERS MINIMUM.

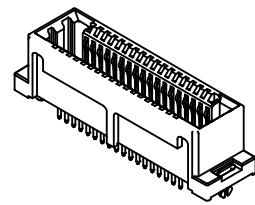
3. 嵌合相手: 504151
 MATING CONNECTOR: 504151

4. ELV及びRoHS適合品
 ELV AND ROHS COMPLIANT.

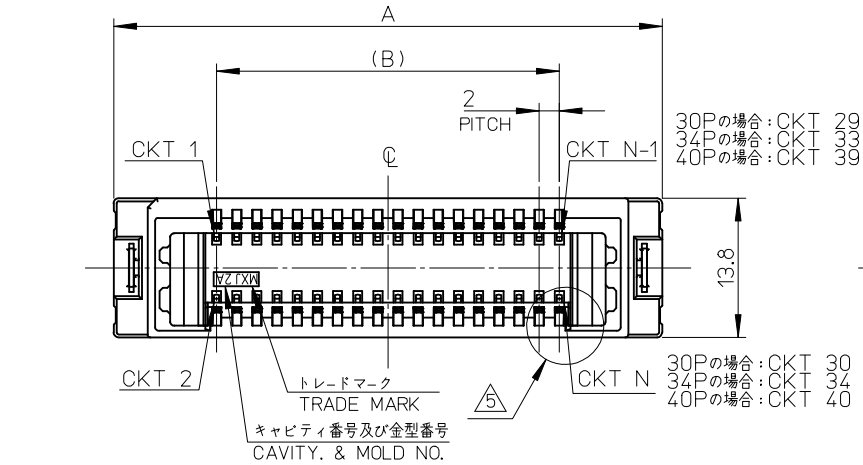
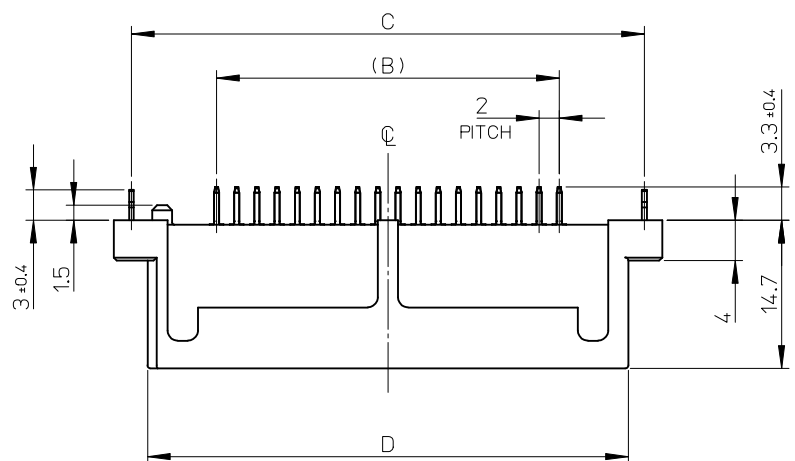
△ 30, 40極は、両端リブ有り形状。
 CASE OF 30, 40CKTS EXISTS RIB OF BOTH ENDS.



| | | | | | | | |
|-----------|------|------|----|------|---------------------|------------|---------|
| GRAY | 51.7 | 54.9 | 38 | 58.4 | 5041544011 | 504154**** | 40 |
| NATURAL | | | | | 5041544000 | | |
| GRAY | 45.7 | 48.9 | 32 | 52.4 | 5041543411 | 504154**** | 34 |
| NATURAL | 41.7 | 44.9 | 28 | 48.4 | 5041543000 | | |
| HSG COLOR | D | C | B | A | TRAY PACKAGE | MODEL No. | CIRCUIT |
| | | | | | オーダー番号 ORDER No. | | |



| | | | | | | | | | | | |
|---|--|---------------------------------------|--------------|------------|---|------------|--------------------------------------|--------------|------------------------|--|--|
| RELEASED EC NO: J2016-0467 DRWN: NITO CHKD: KASAKAWA APPR: NUKITA | 2015/10/20 2015/11/05 2015/11/05 | GENERAL TOLERANCES (UNLESS SPECIFIED) | | | DIMENSION STYLE | | SCALE | DESIGN UNITS | THIRD ANGLE PROJECTION | | |
| | | | | | MM ONLY | | 2:1 | METRIC | | | |
| | | 0.25 UNDER | UNDER | ±0.03 | DRAWN BY | DATE | TITLE | | | | |
| | | 0.25 OVER | 0.5 UNDER | ±0.05 | NITO | 2012/10/16 | 2.0 FLOATING CONN. REC HS'G ASS'Y | | | | |
| | | 0.5 OVER | 1.0 UNDER | ±0.1 | CHECKED BY | DATE | | | | | |
| 1.0 OVER | 10 UNDER | ±0.2 | KASAKAWA | 2012/10/16 | | | | | | | |
| 10 OVER | 30 UNDER | ±0.25 | APPROVED BY | DATE | DOCUMENT No. | | | | | | |
| 30 OVER | | ±0.3 | YOITO | 2012/10/18 | SHEET No. | | | | | | |
| ANGULAR ±3 ° | | | MATERIAL NO. | | ENTER PART | | SD-504154-001 | | 1 OF 2 | | |
| DRAFT WHERE APPLICABLE MUST REMAIN WITHIN DIMENSIONS | | | SIZE A3 | | THIS DRAWING CONTAINS INFORMATION THAT IS PROPRIETARY TO MOLEX INCORPORATED AND SHOULD NOT BE USED WITHOUT WRITTEN PERMISSION | | | | | | |



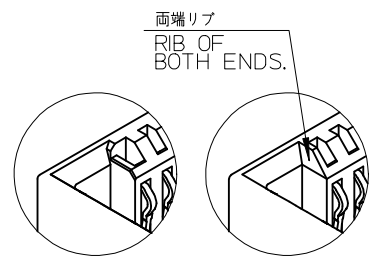
注記 NOTES

1. 材質 MATERIAL
 ハウジング: PBT, ガラス充填, UL94V-0, 自然色
 HOUSING: POLYBUTYLENE TEREPHTHALATE, GLASS FILLED, UL94V-0, NATURAL
 ターミナル: 銅合金 (t=0.5)
 TERMINAL: COPPER ALLOY (t=0.5)
 金具: リン青銅 (t=0.48)
 METAL PEG: PHOSPHOR BRONZE (t=0.48)

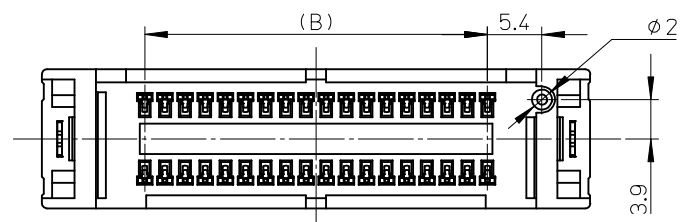
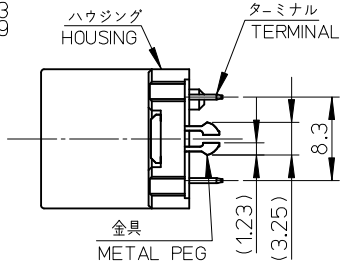
2. メッキ仕様 FINISHES
 ターミナル TERMINAL
 接点部: ニッケル下地金メッキ
 CONTACT AREA: GOLD OVER NICKEL PLATING.
 金メッキ 0.1マイクロメートル以上
 GOLD 0.1 MICROMETERS MINIMUM.
 ニッケル下地めっき 1.0マイクロメートル以上
 NICKEL 1.0 MICROMETERS MINIMUM.
 半田付け部: ニッケル下地銅メッキ
 SOLDER TAIL: TIN OVER NICKEL PLATING
 錫メッキ 1.0マイクロメートル以上
 TIN 1.0 MICROMETERS MINIMUM.
 ニッケル下地メッキ 1.0マイクロメートル以上
 NICKEL 1.0 MICROMETERS MINIMUM.
 金具: ニッケル下地銅メッキ
 METAL PEG: TIN OVER NICKEL PLATING.
 錫メッキ 1.0マイクロメートル以上
 TIN 1.0 MICROMETERS MINIMUM.
 ニッケル下地メッキ 1.0マイクロメートル以上
 NICKEL 1.0 MICROMETERS MINIMUM.

3. 嵌合相手: 504151 MATING CONNECTOR: 504151
 4. ELV及びRoHS適合品 ELV AND ROHS COMPLIANT.

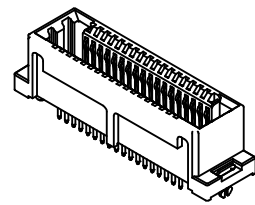
△ 30, 40極は、両端リブ有り形状。
 CASE OF 30, 40CKTS EXISTS RIB OF BOTH ENDS.



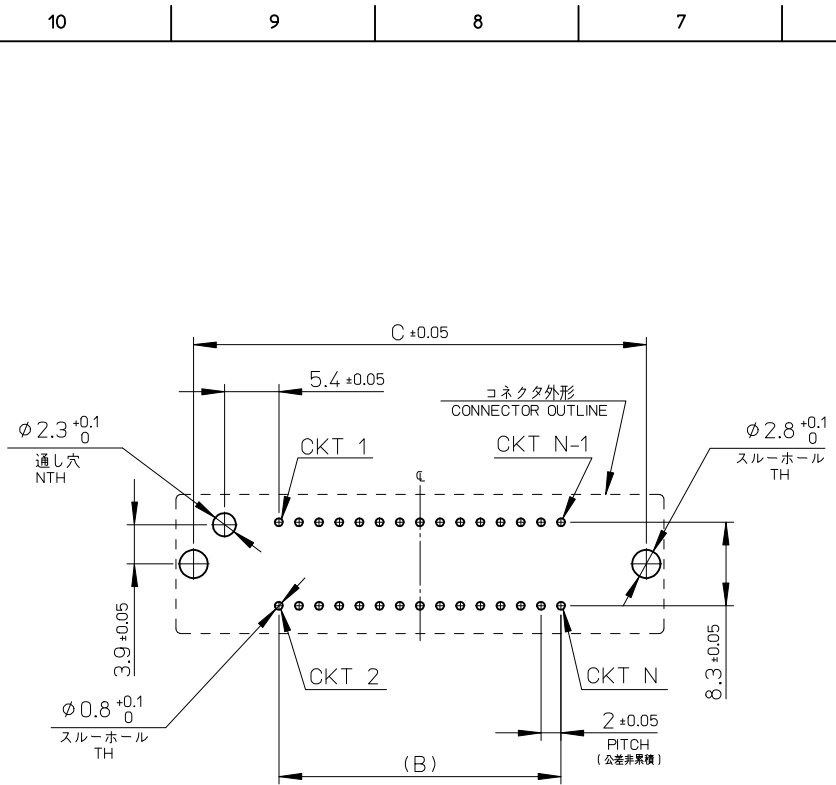
両端リブ RIB OF BOTH ENDS.
 その他極数の場合 OTHER CKTS
 30, 40極の場合 30, 40CKTS



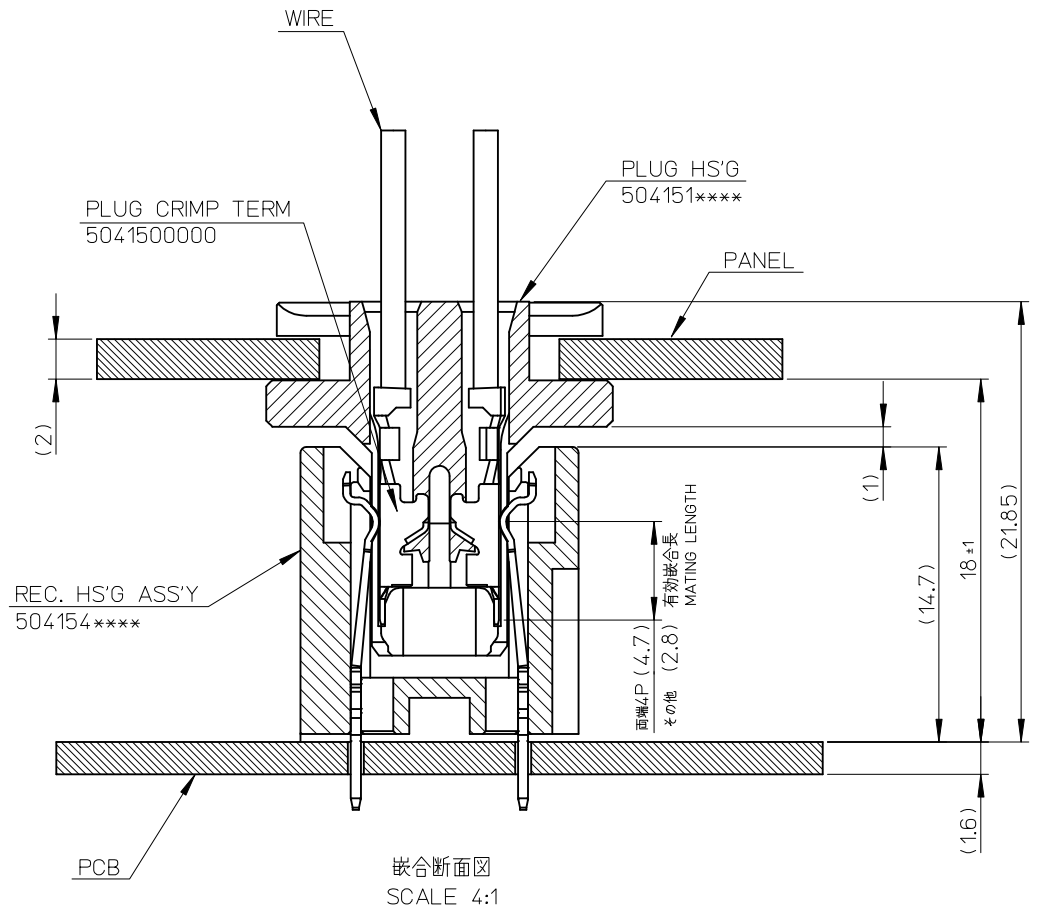
| | | | | | | | |
|-----------|------|------|----|------|------------------|------------|---------|
| GRAY | 51.7 | 54.9 | 38 | 58.4 | 5041544011 | 504154**** | 40 |
| NATURAL | | | | | 5041544000 | | |
| GRAY | 45.7 | 48.9 | 32 | 52.4 | 5041543411 | 504154**** | 34 |
| NATURAL | 41.7 | 44.9 | 28 | 48.4 | 5041543000 | | |
| HSG COLOR | D | C | B | A | TRAY PACKAGE | MODEL No. | CIRCUIT |
| | | | | | オーダー番号 ORDER No. | | |



| | | | | | | | | | | |
|--|--|---------------------------------------|--------------|---|-----------------|------------|-------|-----------------------------------|------------------------|--|
| RELEASED EC NO.: J2016-0467 DRWN: NITO CHKD: KASAKAWA APPR: NUKITA | 2015/10/20 2015/11/05 2015/11/05 | GENERAL TOLERANCES (UNLESS SPECIFIED) | | | DIMENSION STYLE | | SCALE | DESIGN UNITS | THIRD ANGLE PROJECTION | |
| | | | | | MM ONLY | | 2:1 | METRIC | | |
| | | 0.25 UNDER | UNDER | ±0.03 | DRAWN BY | DATE | TITLE | 2.0 FLOATING CONN. REC HS'G ASS'Y | | |
| | | 0.25 OVER | 0.5 UNDER | ±0.05 | NITO | 2012/10/16 | | molex | | |
| | | 0.5 OVER | 1.0 UNDER | ±0.1 | CHECKED BY | DATE | | SD-504154-001 | | |
| 1.0 OVER | 10 UNDER | ±0.2 | KASAKAWA | 2012/10/16 | | SHEET NO. | | | | |
| 10 OVER | 30 UNDER | ±0.25 | APPROVED BY | DATE | | 1 OF 2 | | | | |
| 30 OVER | | ±0.3 | YOITO | 2012/10/18 | | | | | | |
| ANGULAR | ±3 ° | | MATERIAL NO. | | DOCUMENT NO. | | | | | |
| DRAFT WHERE APPLICABLE MUST REMAIN WITHIN DIMENSIONS | | | ENTER PART | | SD-504154-001 | | | | | |
| | | | SIZE | THIS DRAWING CONTAINS INFORMATION THAT IS PROPRIETARY TO MOLEX INCORPORATED AND SHOULD NOT BE USED WITHOUT WRITTEN PERMISSION | | | | | | |
| | | | A3 | | | | | | | |

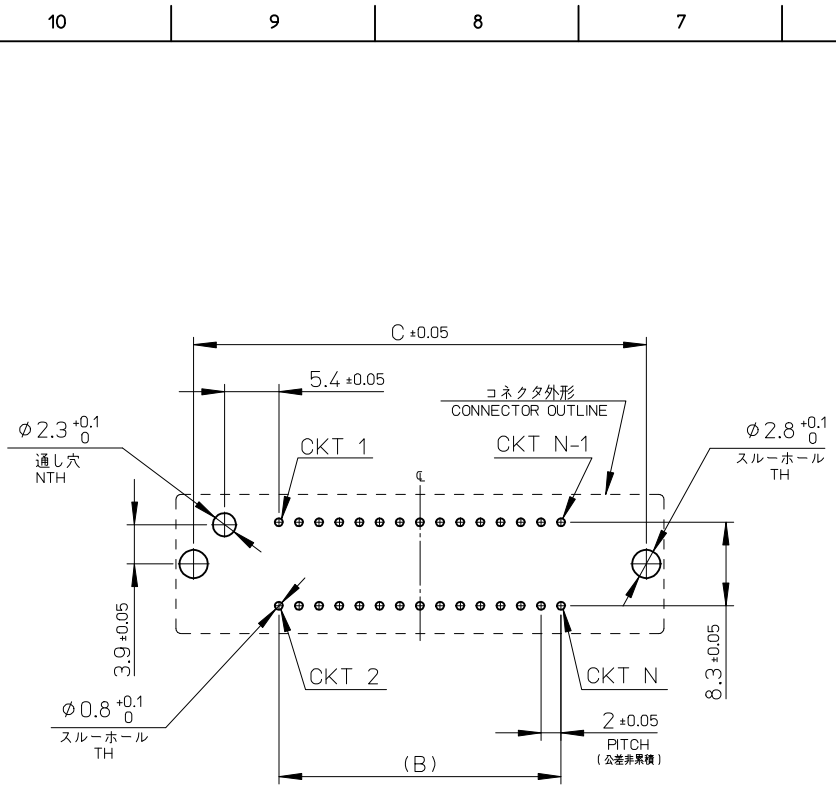


基板穴寸法 (部品実装面、基板厚: 1.6mm)
PCB LAYOUT (COMPONENT SIDE, THK=1.6mm)

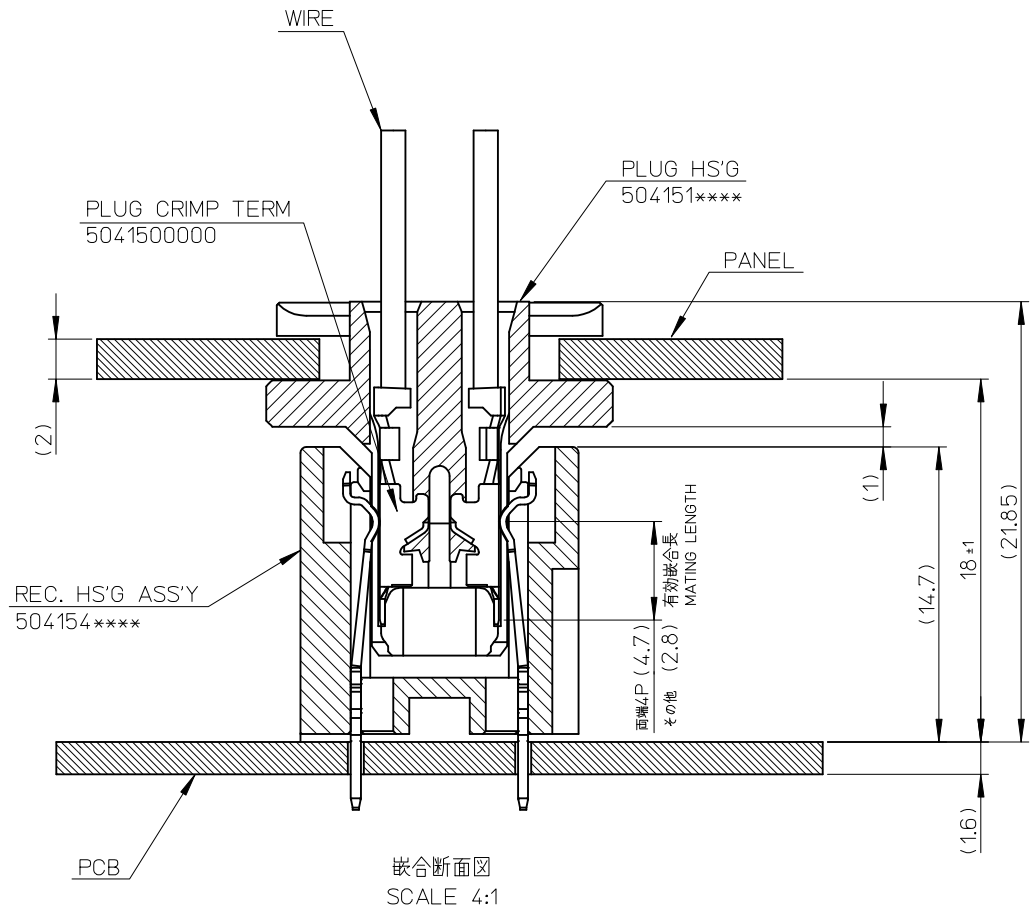


嵌合断面図
SCALE 4:1

| | | | | | | | | | |
|--|---------------------------------------|-----------|-------------|----------------------------|---|--------------------------------------|------------------------|------------------------|-----------|
| RELEASED EC NO: J2016-0467 DRWN: NITO 2015/10/20 CHKD: KASAKAWA 2015/11/05 APPR: NUKITA 2015/11/05 | GENERAL TOLERANCES (UNLESS SPECIFIED) | | | DIMENSION STYLE MM ONLY | | SCALE 2:1 | DESIGN UNITS METRIC | THIRD ANGLE PROJECTION | |
| | 0.25 UNDER | UNDER | ±0.03 | DRAWN BY | DATE | TITLE | | | |
| | 0.25 OVER | 0.5 UNDER | ±0.05 | NITO | 2012/10/16 | 2.0 FLOATING CONN. REC HS'G ASS'Y | | | |
| | 0.5 OVER | 1.0 UNDER | ±0.1 | CHECKED BY | DATE | | | | |
| | 1.0 OVER | 10 UNDER | ±0.2 | KASAKAWA | 2012/10/16 | | | | |
| 10 OVER | 30 UNDER | ±0.25 | APPROVED BY | DATE | | | | | |
| 30 OVER | | ±0.3 | YOITO | 2012/10/18 | MATERIAL NO. | | DOCUMENT NO. | | SHEET NO. |
| ANGULAR | ±3 ° | | ENTER PART | | SD-504154-001 | | 2 OF 2 | | |
| DRAFT WHERE APPLICABLE MUST REMAIN WITHIN DIMENSIONS | | | | SIZE A3 | THIS DRAWING CONTAINS INFORMATION THAT IS PROPRIETARY TO MOLEX INCORPORATED AND SHOULD NOT BE USED WITHOUT WRITTEN PERMISSION | | | | |



基板穴寸法 (部品実装面、基板厚: 1.6mm)
PCB LAYOUT (COMPONENT SIDE, THK=1.6mm)



嵌合断面図
SCALE 4:1

| | | | | | | | | |
|--|---------------------------------------|-----------|-------------|----------------------------|---|--------------------------------------|------------------------|------------------------|
| RELEASED EC NO: J2016-0467 DRWN: NITO 2015/10/20 CHKD: KASAKAWA 2015/11/05 APPR: NUKITA 2015/11/05 | GENERAL TOLERANCES (UNLESS SPECIFIED) | | | DIMENSION STYLE MM ONLY | | SCALE 2:1 | DESIGN UNITS METRIC | THIRD ANGLE PROJECTION |
| | 0.25 UNDER | UNDER | ±0.03 | DRAWN BY | DATE | TITLE | | |
| | 0.25 OVER | 0.5 UNDER | ±0.05 | NITO | 2012/10/16 | 2.0 FLOATING CONN. REC HS'G ASS'Y | | |
| | 0.5 OVER | 1.0 UNDER | ±0.1 | CHECKED BY | DATE | | | |
| | 1.0 OVER | 10 UNDER | ±0.2 | KASAKAWA | 2012/10/16 | | | |
| 10 OVER | 30 UNDER | ±0.25 | APPROVED BY | DATE | | | | |
| 30 OVER | | ±0.3 | YOITO | 2012/10/18 | DOCUMENT NO. | | | |
| ANGULAR | ±3 ° | | ENTER PART | | SD-504154-001 | | | |
| DRAFT WHERE APPLICABLE MUST REMAIN WITHIN DIMENSIONS | | | | SIZE A3 | THIS DRAWING CONTAINS INFORMATION THAT IS PROPRIETARY TO MOLEX INCORPORATED AND SHOULD NOT BE USED WITHOUT WRITTEN PERMISSION | | | |
| | | | | | SHEET NO. | | 2 OF 2 | |