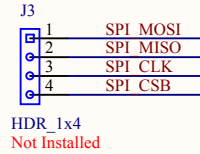
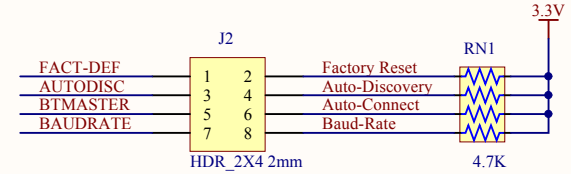
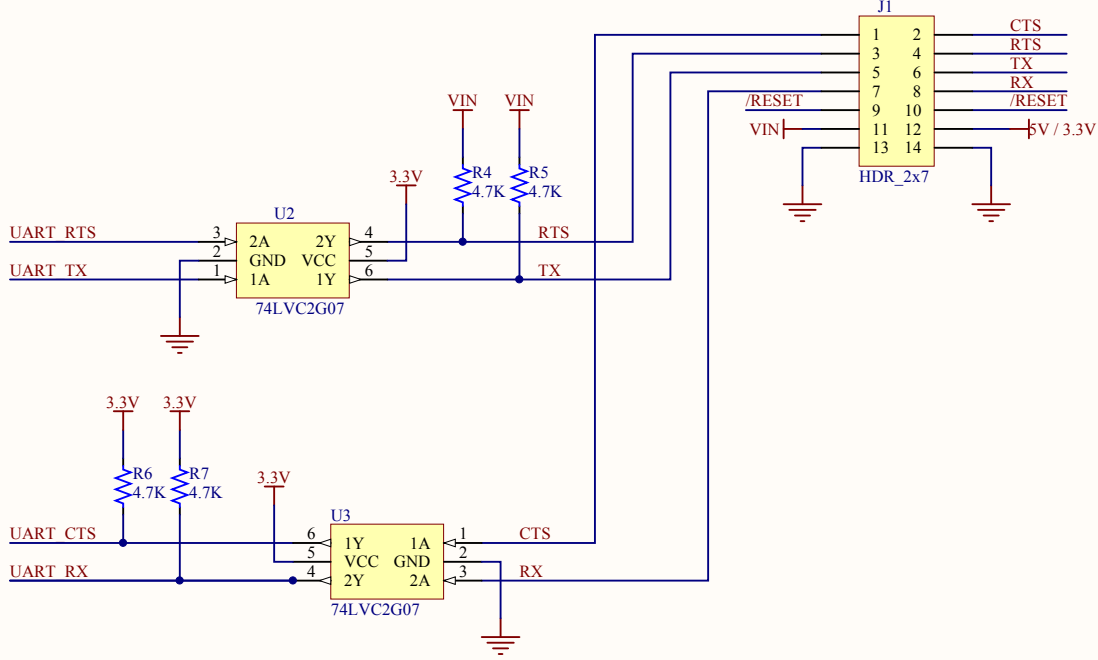
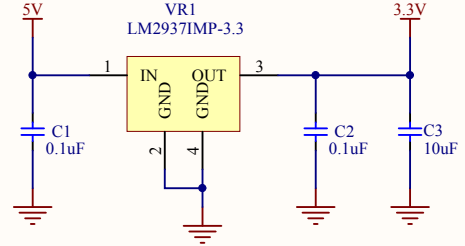
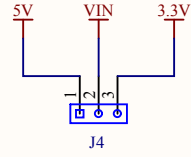


SPI INTERFACE



5V / 3.3V JUMPER SELECT



Title			
SCHEMATIC, BLUETOOTH MODULE			
Size	Number	Revision	
Letter	30086	A	
Date:	12/3/2012	Sheet of	
File:	G:\Altium Projects\Bluetooth Module	Author:	