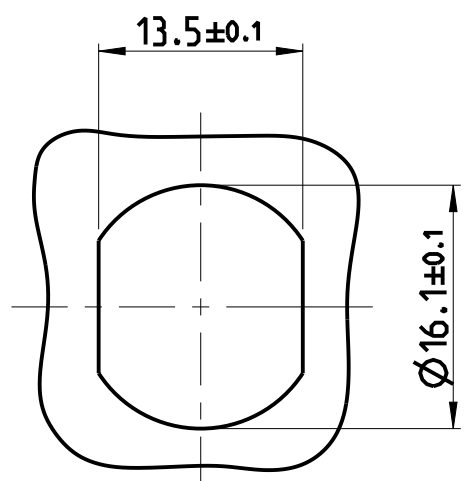


REVISIONS		DATE	DWN	APVD
P	LTR	DESCRIPTION		
A1		DRAWING PUBLISHED	29APR2014	YR CS

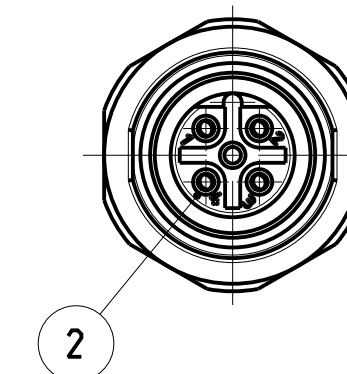
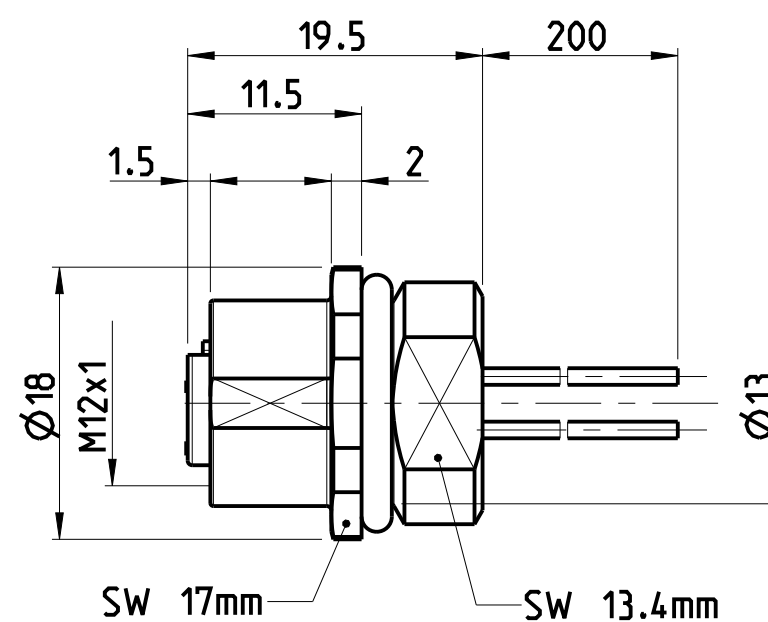
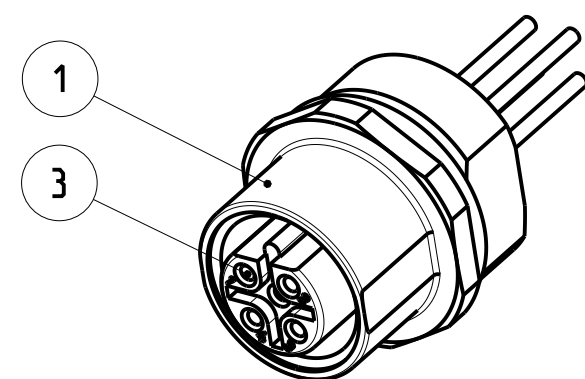
RECOMMENDED CUT-OUT



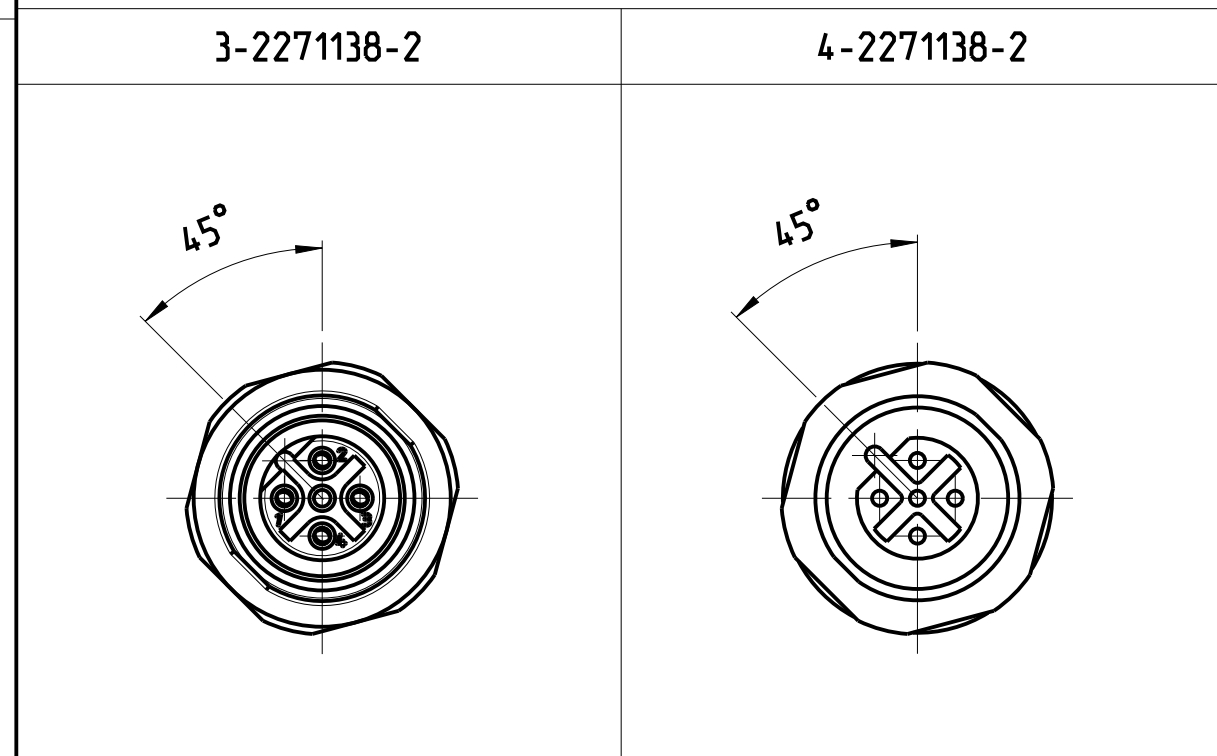
- ⚠ MATERIAL:
- ITEM NO. 1: HOUSING - ZINC DIECASTING, NICKEL PLATED
 - ITEM NO. 2: CONTACT BODY - PUR, PA
 - ITEM NO. 3: CONTACT - CuSn (bronze)
 - CONTACT FINISH - Au (gold)

- 2 ALL DIMENSIONS ARE FOR NOMINAL REFERENCE ONLY UNLESS OTHERWISE STATED
- 3 MEASUREMENT REFERENCE ONLY
- 4 PACKAGING: 1 PIECE IN A BAG

TECHNICAL DATA	3-2271138-2	4-2271138-2
RATED VOLTAGE	250V	125V
RATED IMPULSE VOLTAGE	2500V	1500V
POLLUTION DEGREE	3	3
OVERVOLTAGE CATEGORY	II	II
MATERIAL GROUP	II	II
RATED CURRENT	4A	4A
VOLUME RESISTIVITY	≤ 3mΩ	≤ 3mΩ
DEGREE OF PROTECTION	IP68	IP68
UPPER TEMPERATURE	+85 °C	+85 °C
LOWER TEMPERATURE	-40 °C	-40 °C



PIN ARRANGEMENT B-CODING (SCALE 2:1)



3-2 AS SHOWN WIE GEZEICHNET

WIRES AWG / mm ²	MATERIAL	NUMBER OF POLES	TE-PART-NO.
24 / 0.25mm ²	⚠	5	4-2271138-2
24 / 0.25mm ²	⚠	4	3-2271138-2

DIESE ZEICHNUNG IST EIN KONTROLLIERTES DOKUMENT. BEMASSUNGEN UND TOLERANZEN GEMAESS GPS (ISO STANDARDS).

THIS DRAWING IS A CONTROLLED DOCUMENT. DIMENSIONING AND TOLERANCING PER GPS (ISO STANDARDS).

Wires: 24 / 0.25mm²

Material: ⚠

Number of Poles: 5

TE-Part No: 4-2271138-2

Customer Drawing / KUNDENZEICHNUNG

SCALE MASSSTAB 2:1

SHEET BLATT 1 OF 1

REV A1

STE TE Connectivity

M12 PANEL MOUNT RECEPTACLE CONNECTOR B-CODING

SIZE A2

CAGE CODE 00779

DRAWING NO. ZEICHNUNGS-NR. C-2271138

RESTRICTED TO MUR FUER

SIZE ISO 14405 (E)