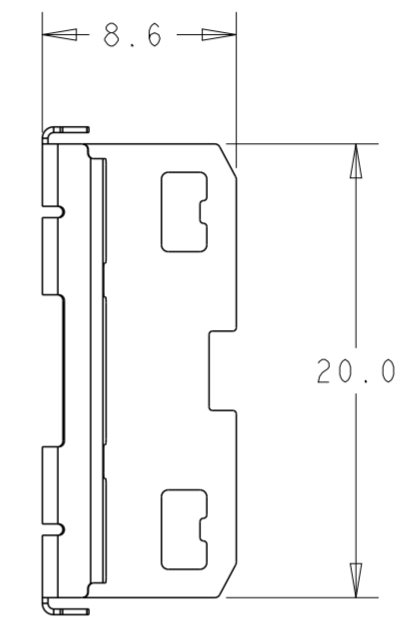
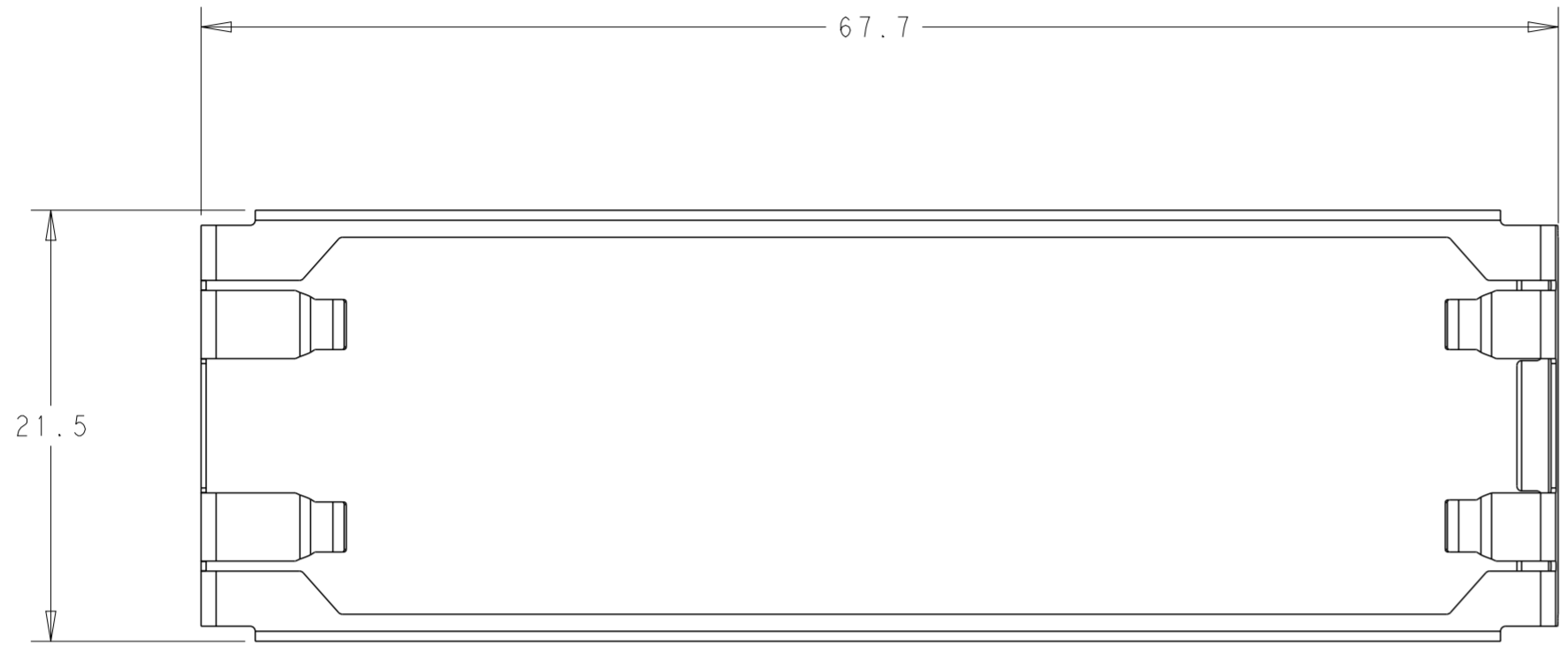
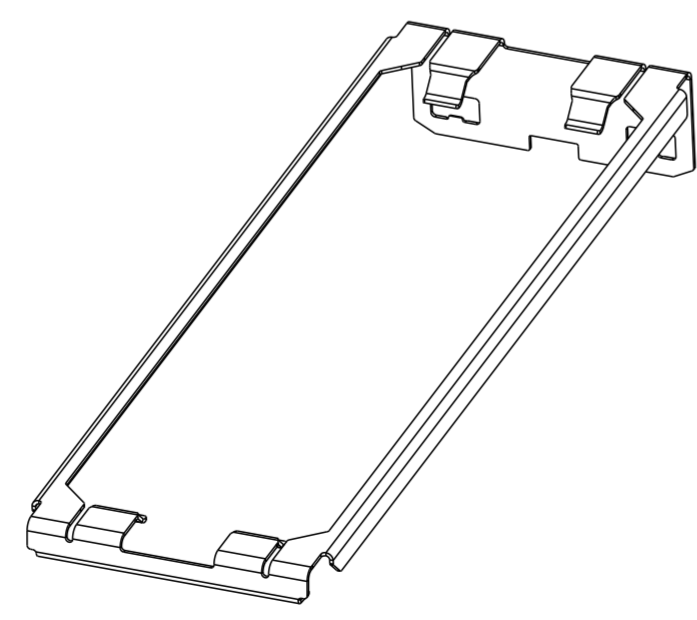


THIS DRAWING IS UNPUBLISHED. RELEASED FOR PUBLICATION 20
 © COPYRIGHT 20 BY - ALL RIGHTS RESERVED.

REVISIONS				
P	LTR	DESCRIPTION	DATE	APVD
1		INITIAL RELEASE	11OCT2016	AD SH
2		REVISED PER ECN-22-167680	03AUG2022	AK SZ



1 MATERIAL: STAINLESS STEEL
 2 PLATING: PASSIVATE



SCALE 2:1

OBSOLETE 2289502-2
 PART NUMBER

THIS DRAWING IS A CONTROLLED DOCUMENT.		DWN ANDY XIE 11OCT2016	STE TE Connectivity	
DIMENSIONS: mm		CHK SEAN HAN 11OCT2016		
TOLERANCES UNLESS OTHERWISE SPECIFIED:		APVD SEAN HAN 11OCT2016	NAME HEAT SINK CLIP CFP4	
0 PLC ±	1 PLC ±0.3	PRODUCT SPEC -	SIZE A2	CAGE CODE -
2 PLC ±0.25	3 PLC ±0.2	APPLICATION SPEC -	DRAWING NO C-2289502	RESTRICTED TO -
4 PLC ±	ANGLES ±	WEIGHT -	SCALE 1:1	SHEET 1 OF 1
FINISH -	FINISH -	CUSTOMER DRAWING	REV 2	