

ITEM	PART#	DESCRIPTION	QTY	UOM
A	2053410202	PICO-LOCK 2.0 W/B REC HSG 2P	1	PC
B	2053425028	PICO-LOCK 2.0 W/B REC TERM PL AWG#20-22	2	PC
C	--	PAPER PRINTED PAPER WHITE	1	PC

FROM	TO	DESCRIPTION	COLOR
A1	--	1X20AWG DISC SR-PVC BK UL10002	BLACK
A2	--	1X20AWG DISC SR-PVC BK UL10002	BLACK

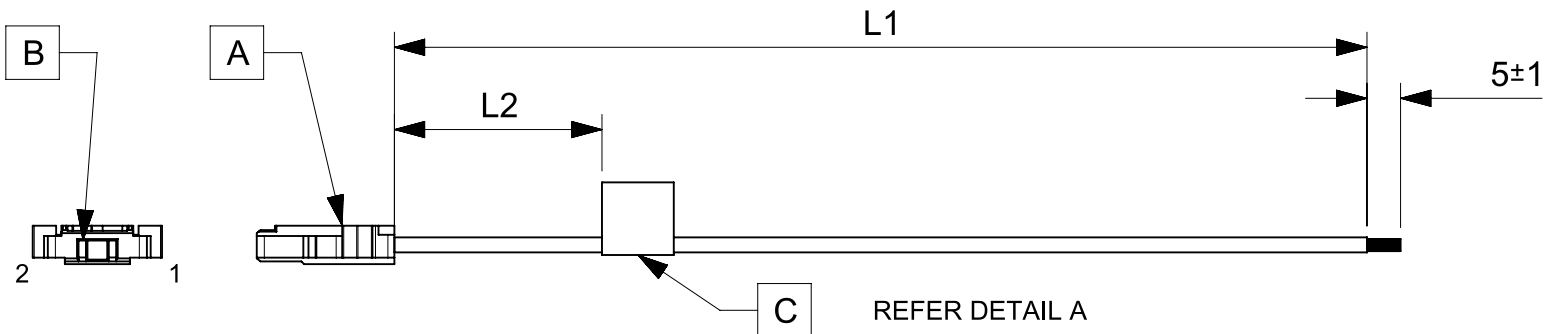


TABLE			
PART NUMBER	L1	L2 (REF)	TITLE
2196572020	50±3	15	Pico-Lock 2.0 R-S 2ckt 50mm disc Au
2196572021	100±3	15	Pico-Lock 2.0 R-S 2ckt 100mm disc Au
2196572022	150±4	15	Pico-Lock 2.0 R-S 2ckt 150mm disc Au
2196572023	300±4	15	Pico-Lock 2.0 R-S 2ckt 300mm disc Au
2196572024	600±6	15	Pico-Lock 2.0 R-S 2ckt 600mm disc Au

- NOTES**
1. Connector view shown is from mating side.
  2. Label text must be 2mm max. in height with Arial font.
  3. Label must be wrapped in Flag type on a single cable.
  4. Free ends must be stripped, twisted & tinned. The length of tinning is 5±1mm. Tinning Dia must be 1.25mm Max.

MOLEX P/N  
MOLEX  
BATCH WK/YR  
DETAIL A

REVISION			
DATE	REV	DESCRIPTION	CHANGER
2021/12/27	A	INITIAL RELEASE	SAIKIG

<b>FUNCTIONAL SYMBOLS</b> $\nabla_A = 0$ $\nabla_E = 0$ $\nabla_P = 0$	<b>THIS DRAWING CONTAINS INFORMATION THAT IS PROPRIETARY TO MOLEX ELECTRONIC TECHNOLOGIES, LLC AND SHOULD NOT BE USED WITHOUT WRITTEN PERMISSION</b>							
	<b>DIMENSION UNITS</b> mm	<b>SCALE</b> NTS				<b>CURRENT REV DESC:</b> EC NO: 690897 DRWN: SAIKIG CHK'D: MNARAYAN01 APPR: MNARAYAN01		
	<b>GENERAL TOLERANCES (UNLESS SPECIFIED)</b> ANGULAR TOL ± °					2021/12/27 2022/01/13 2022/01/13		
	<b>DIVISIONAL SYMBOLS</b> 4 PLACES ± 3 PLACES ± 2 PLACES ± 1 PLACE ± 0 PLACES ±	<b>INITIAL REVISION:</b> DRWN: SAIKIG APPR: MNARAYAN01						
<b>DRAFT WHERE APPLICABLE MUST REMAIN WITHIN DIMENSIONS</b>		<b>THIRD ANGLE PROJECTION</b>	<b>DRAWING</b> A4-SIZE	<b>SERIES</b> 219657	<b>DOCUMENT NUMBER</b> 2196572020	<b>DOC TYPE</b> PSD	<b>DOC PART</b> 000	<b>REVISION</b> A