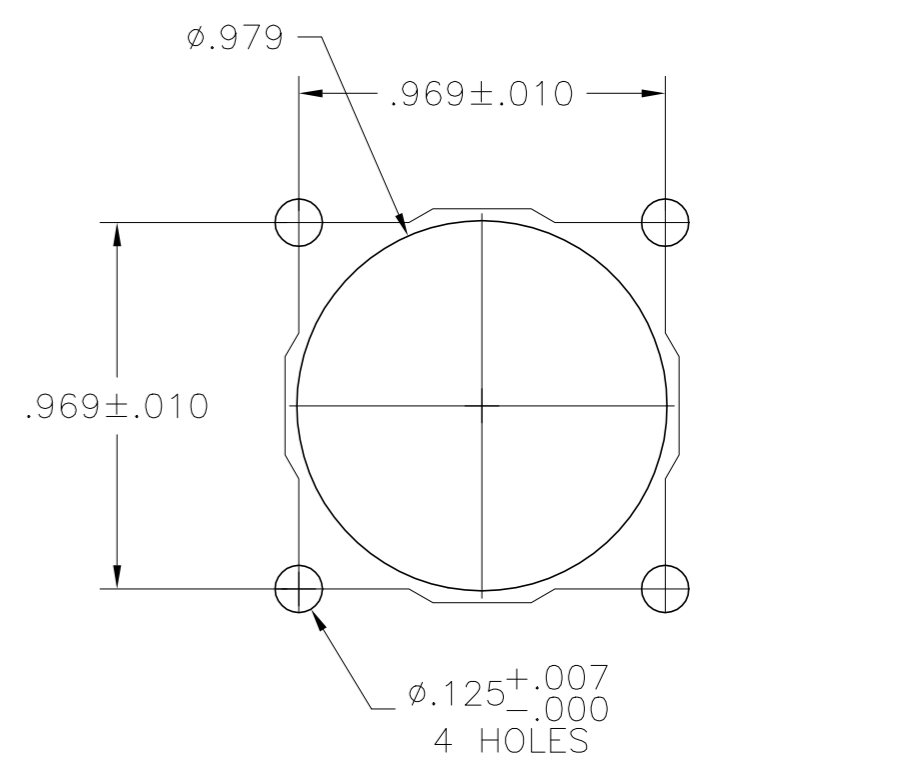
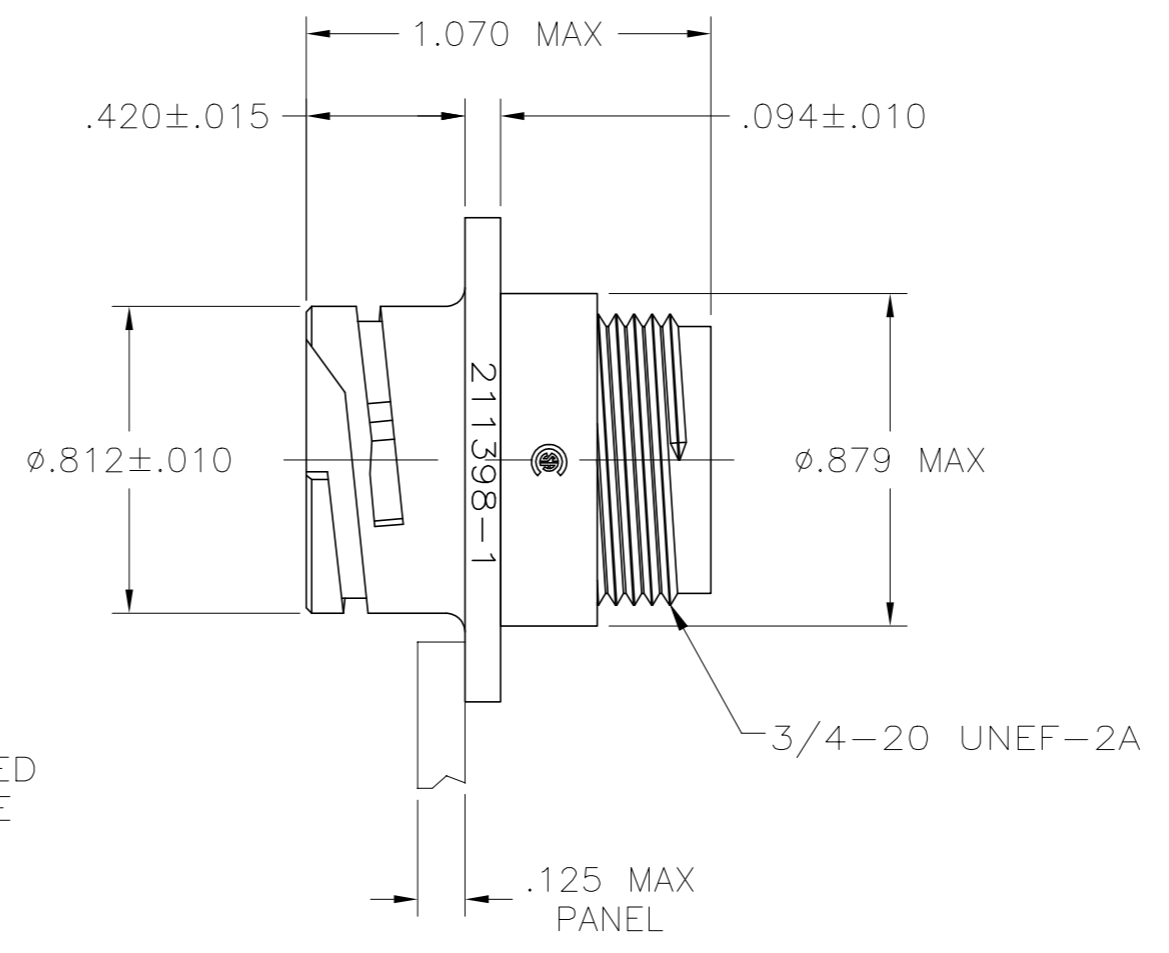
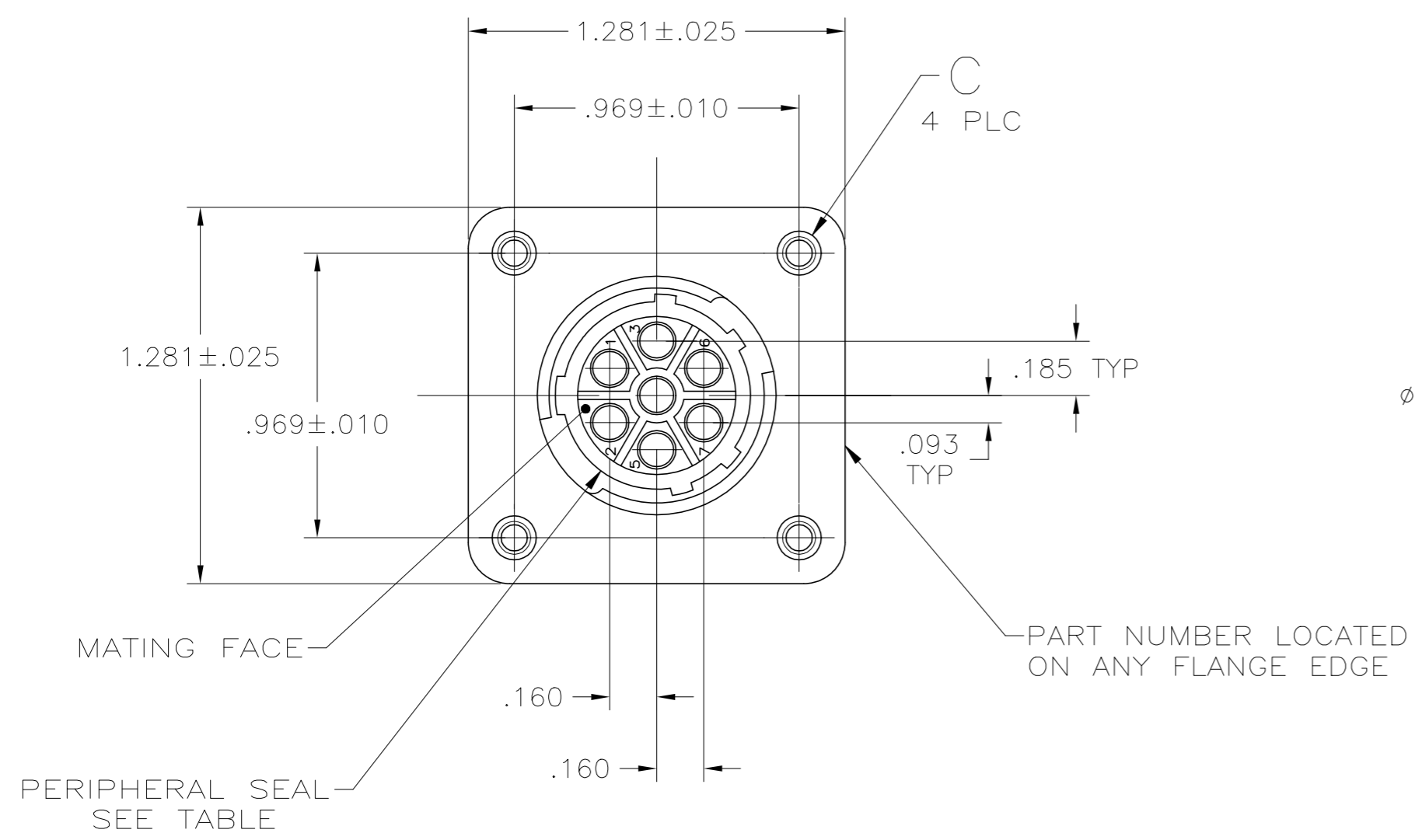
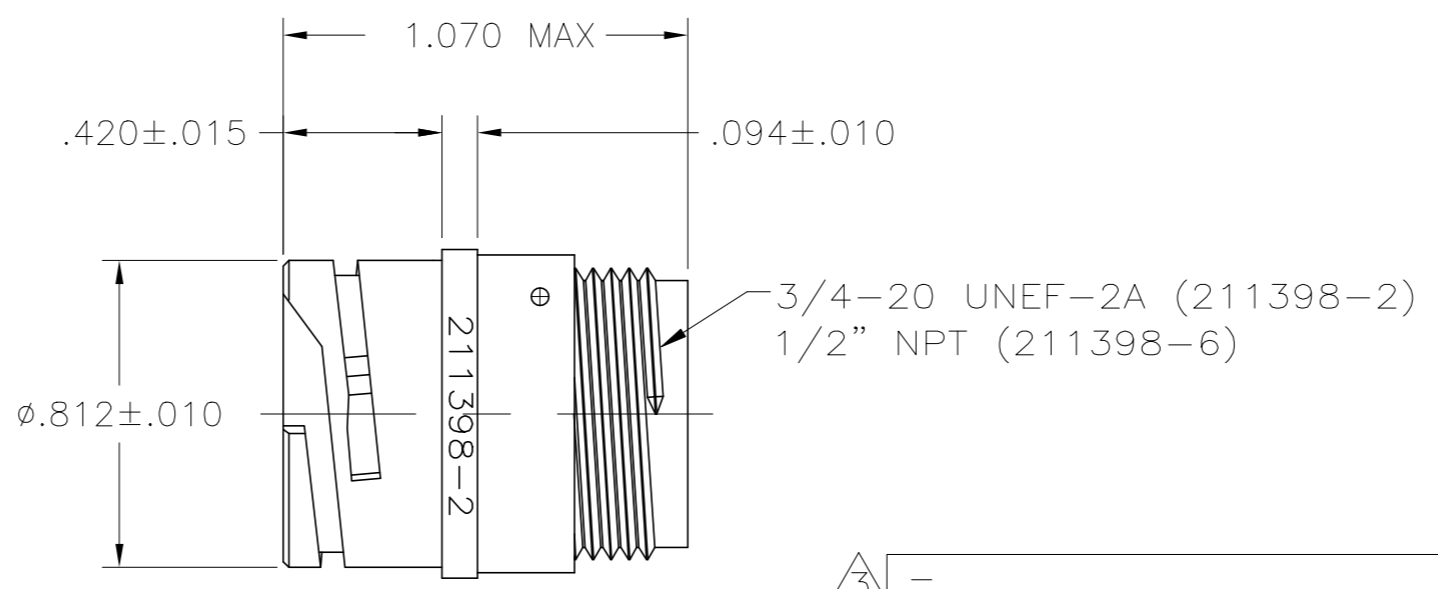
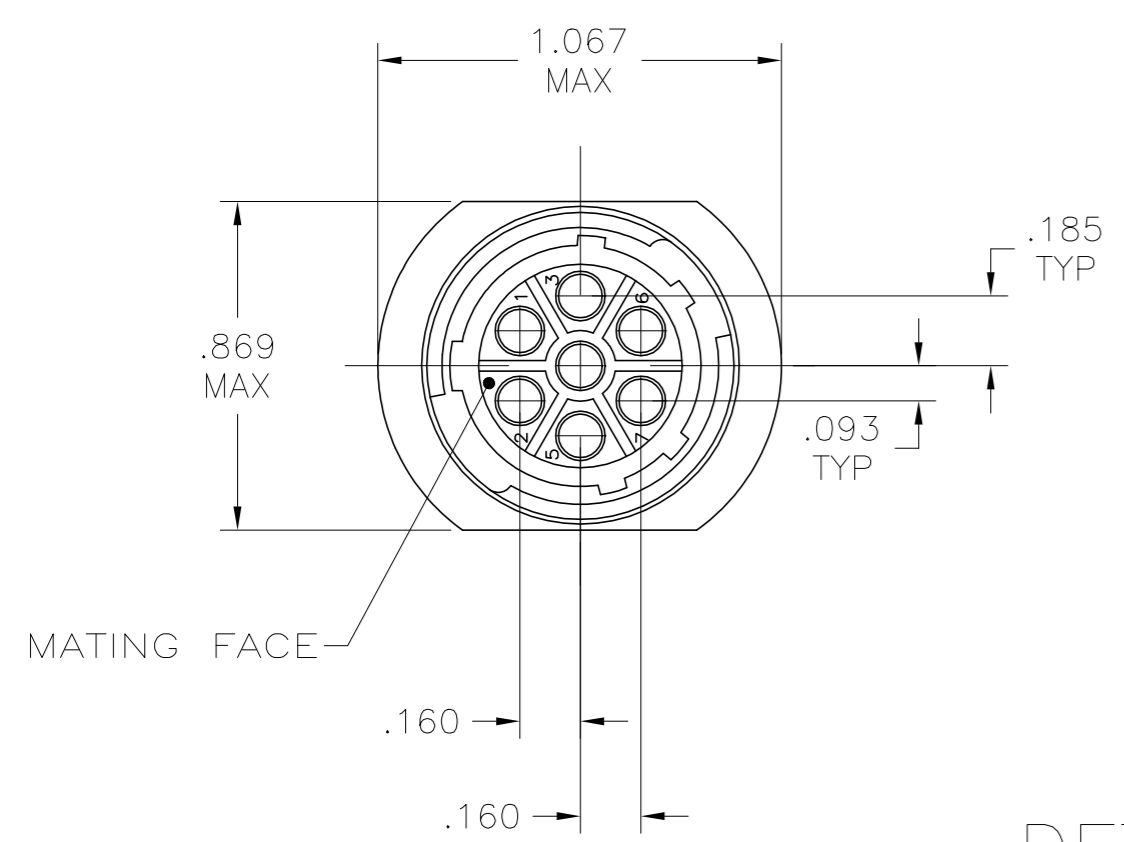


REVISIONS					
P	LTR	DESCRIPTION	DATE	DWN	APVD
L		REVISED PER ECO-17-000037	10MAR2017	RS	MZ
M		REVISED PER ECO-18-018811	30NOV2018	RS	MZ
N		REVISED PER ECO-19-011876	09AUG2019	RS	MZ



DETAIL A



DETAIL B

3	-	NO	B	211398-6
3	4-40 THREADED INSERTS	YES	A	211398-5
	4-40 THREADED INSERTS	NO	A	211398-4
	0.125±.005	YES	A	211398-3
	-	NO	B	211398-2
	0.125±.005	NO	A	211398-1
	C	PERIPHERAL SEAL	SEE DETAIL	PART NUMBER

- NOTES:**
- CAVITY IDENTIFICATION ON FRONT AND REAR FACE.
  - WILL ACCEPT SEVEN (7) MULTIMATE SOCKET CONTACTS.
- ⚠️ OBSOLETE PART NUMBER.

4 COMPARATIVE TRACKING INDEX OF HOUSING MATERIAL PER UL746A=400 MIN.

THIS DRAWING IS A CONTROLLED DOCUMENT.

DIMENSIONS: INCHES	TOLERANCES UNLESS OTHERWISE SPECIFIED: 0 PLC ± - 1 PLC ± - 2 PLC ± .005 3 PLC ± - 4 PLC ± - ANGLES ± 0°30'	DWN D.HARDY 07-27-94 CHK R.STONE 08-10-94 APVD A.FRANTUM 10-03-94	NAME RECEPTACLE, HOUSING, REVERSE SEX, 13-7, CPC
MATERIAL NYLON, BLACK	FINISH -	WEIGHT -	RESTRICTED TO -

TE Connectivity Ltd.

SCALE 2:1 SHEET 1 of 1 REV N