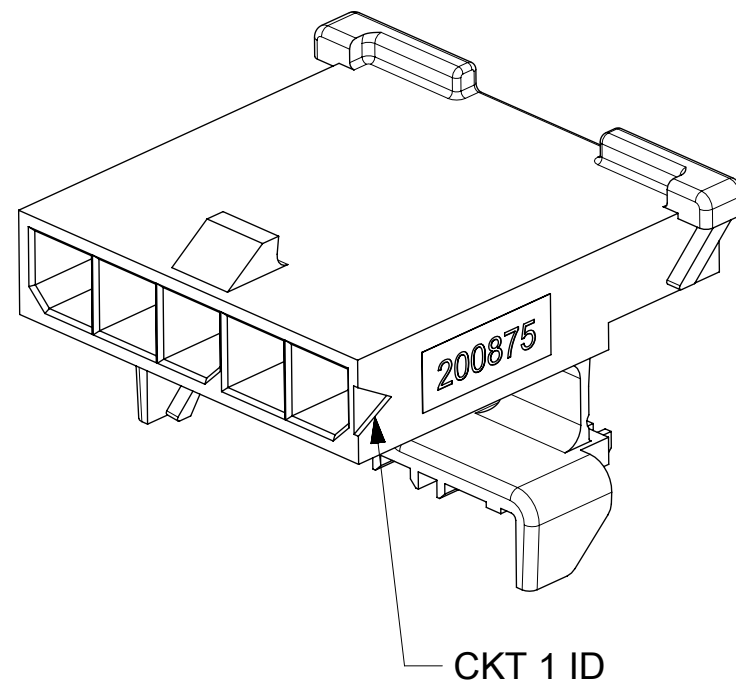
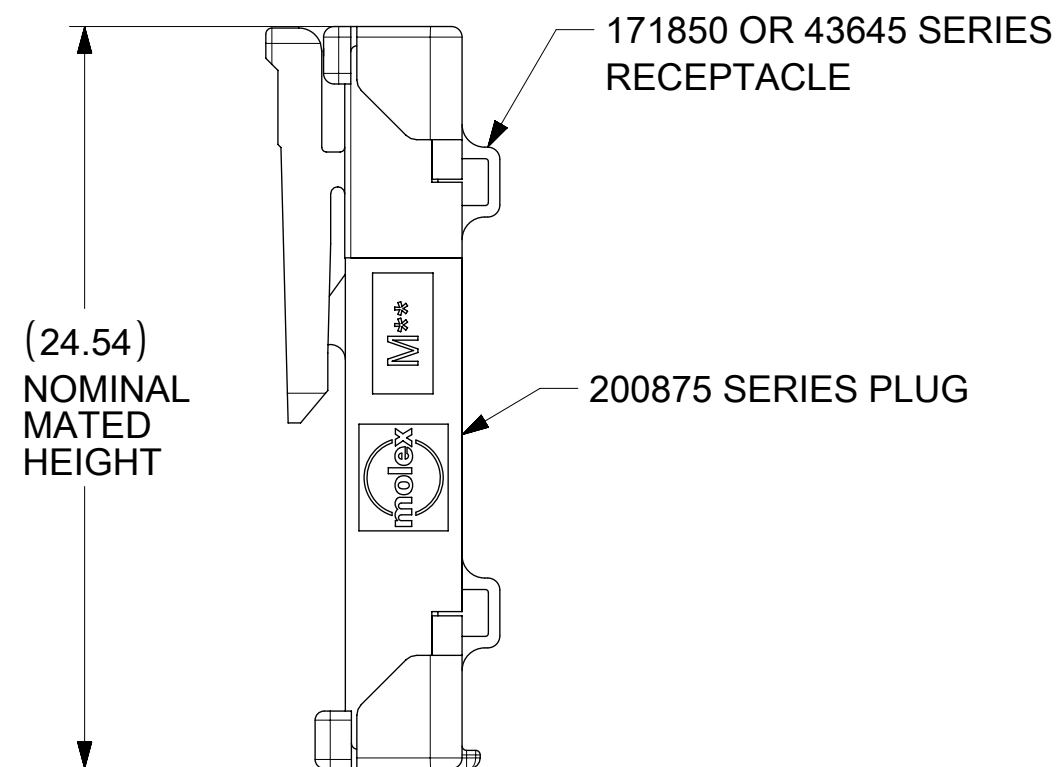
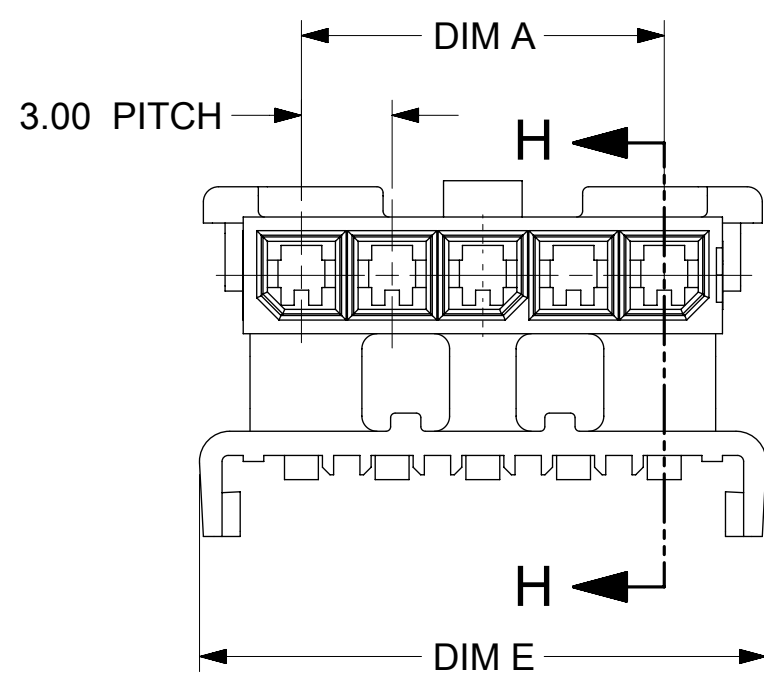
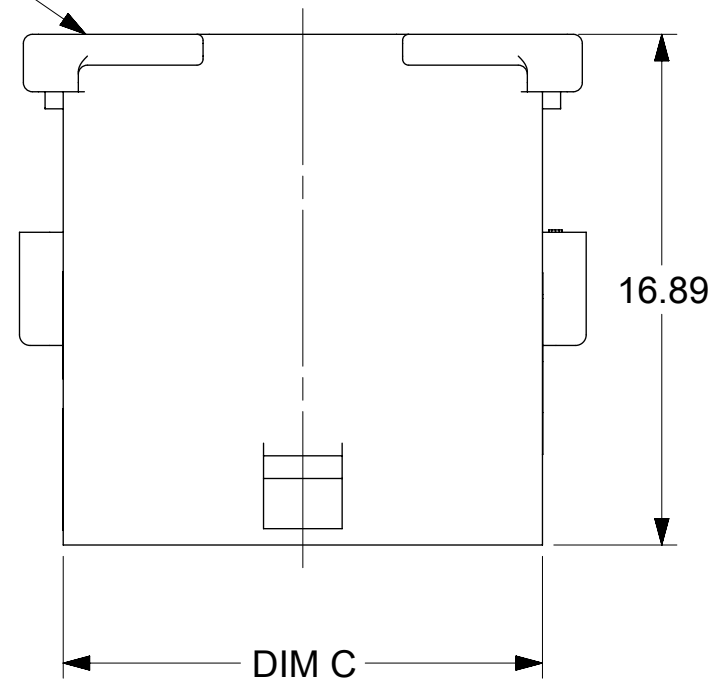
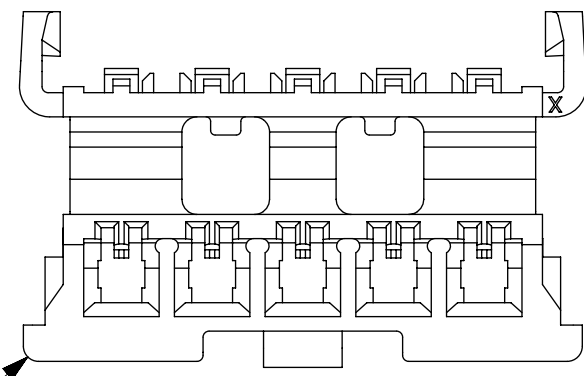


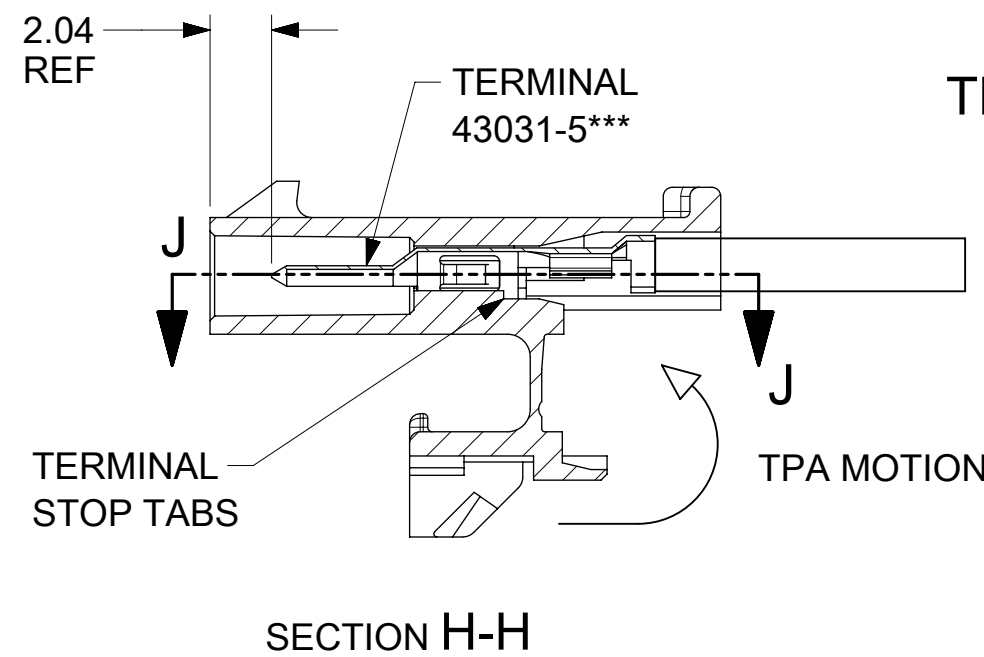
2008750005
SHOWN
AS MOLDED



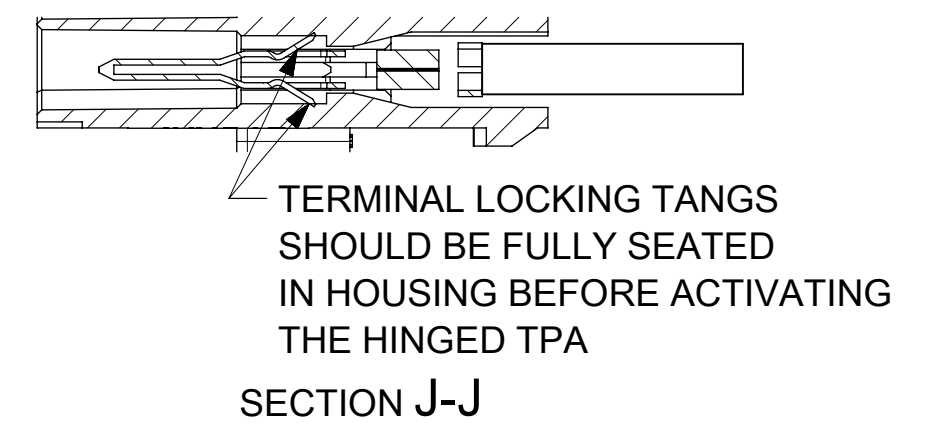
FREE HANGING OPTION

NOTES:

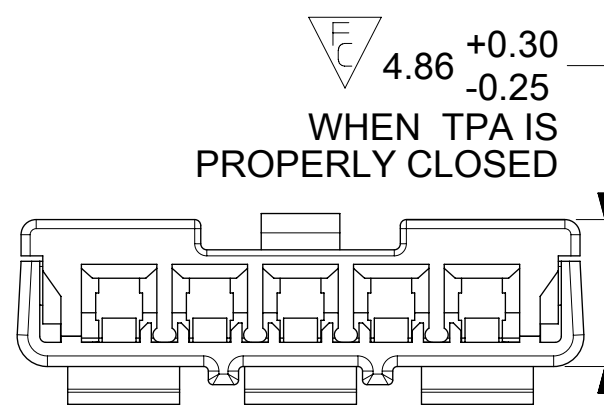
1. MATERIAL
"A": NYLON, V-0 LOW HALOGEN, COLOR: BLACK
"B": NYLON, V-0, IEC 60335-1 GLOW WIRE CAPABLE, COLOR: BLACK
2. FINISH: NONE
3. PRODUCT SPECIFICATION: PS-43650
4. PACKAGING SPECIFICATION: 2008750000-PK
5. THIS HOUSING TO BE USED WITH MOLEX MALE TERMINAL NUMBERS 430315***.
6. THIS PART MATES WITH MOLEX SERIES 171850 AND 43645.
7. THIS PART CONFORMS TO CLASS 'B' REQUIREMENTS OF COSMETIC SPECIFICATION PS-45499-002.
8. REFER TO AS-45499-001 FOR MOISTURIZING NYLON CONNECTOR PARTS.
9. PRODUCT MUST BE USED WITH TPA INSTALLED.
10. TPA IS INTENDED FOR ONE TIME USE.
11. INTENDED FOR USE WITH 20-30 AWG WIRES ONLY.
12. SOME HOUSINGS MAY HAVE A SMALL GATE BLEMISH NEAR THE GATE THAT DOES NOT AFFECT FUNCTIONALITY.
13. CIRCUIT SIZES 6 TO 12 HAVE ADDITIONAL TPA LATCHING GEOMETRY NEAR THE CENTER OF THE PART THAT MUST BE FULLY ENGAGED FOR TPA TO BE PROPERLY CLOSED.
14. PLUG DESIGNED FOR 1.57 TO 2.30 THICK STAMPED PANEL OR PRINTED CIRCUIT BOARD.
15. PANEL MOUNT FEATURES MUST LOCK ON SIDE OPPOSITE PUNCH SIDE FOR OPTIMUM RETENTION.
16. TEXT ON PART IS FOR REFERENCE ONLY. TEXT AND TEXT LOCATION MAY VARY DEPENDING ON PART NUMBER AND/OR TOOL.



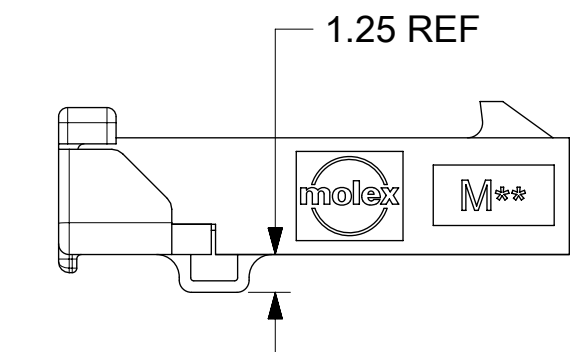
TPA OPEN



SECTION H-H



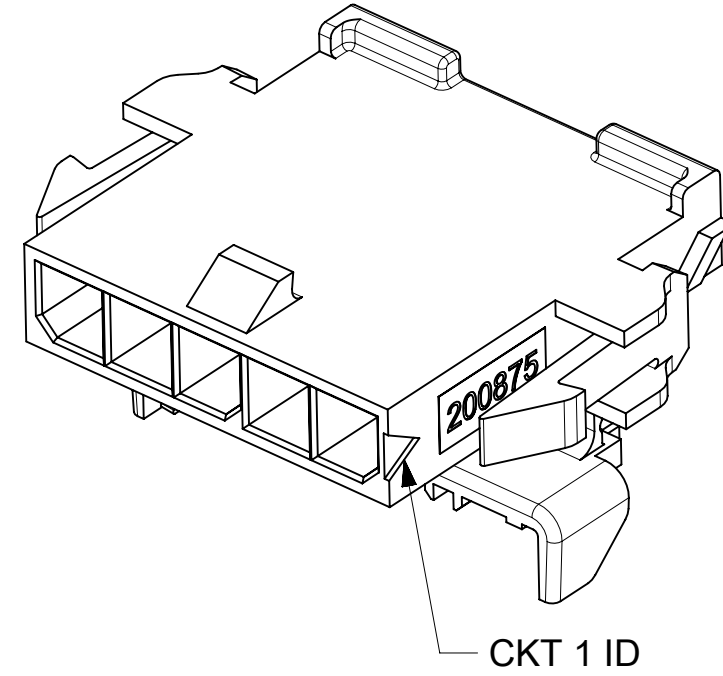
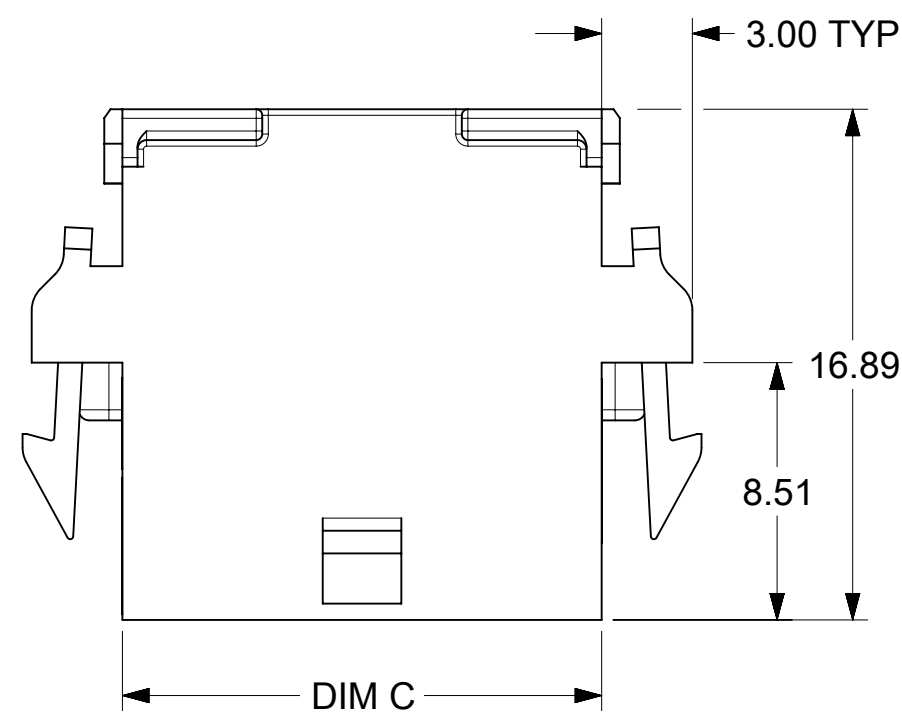
TPA CLOSED



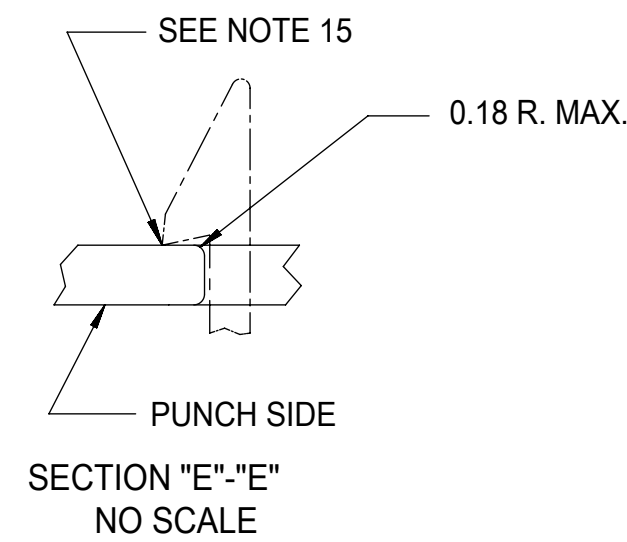
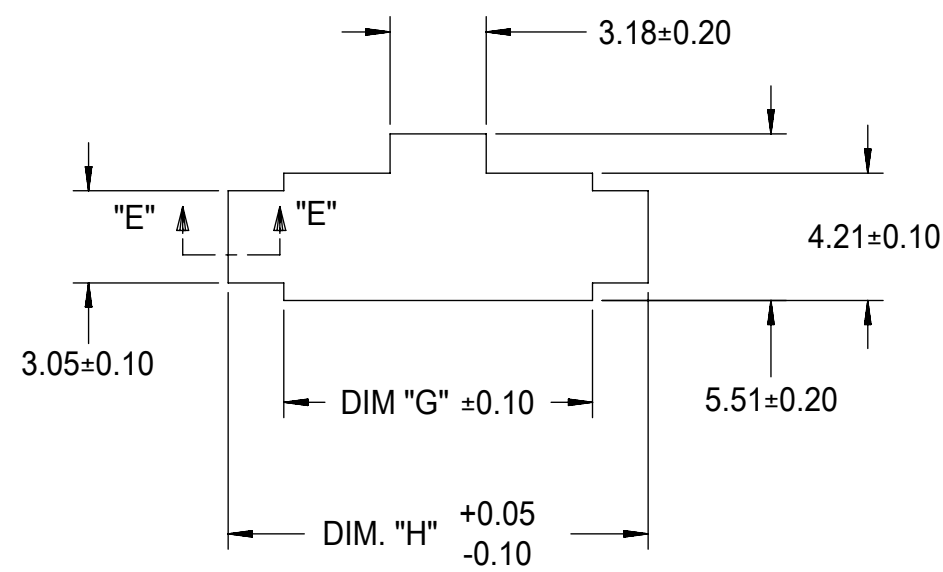
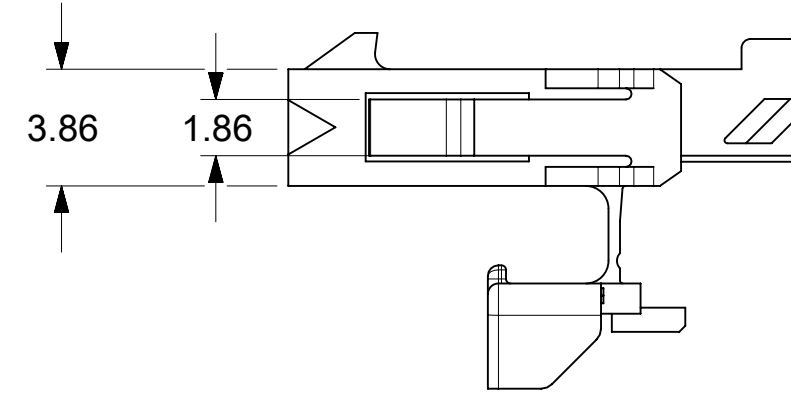
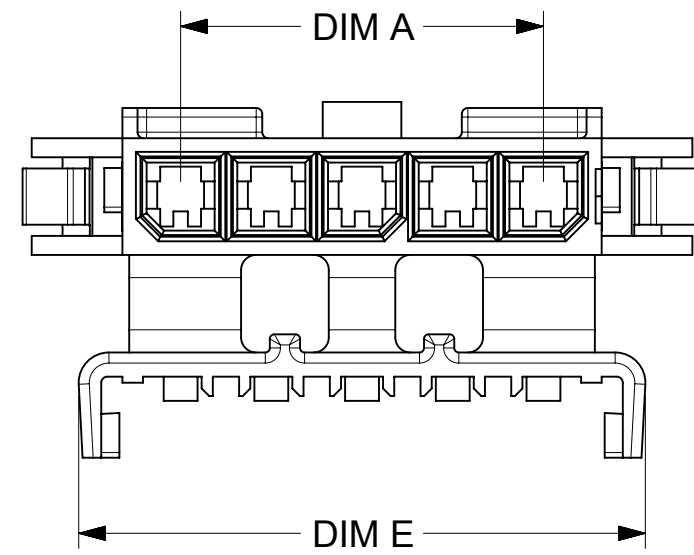
CIRCUIT SIZE	DIM A	DIM C	DIM E
2	3.00	6.85	9.74
3	6.00	9.85	12.74
4	9.00	12.85	15.74
5	12.00	15.85	18.74
6	15.00	18.85	21.74
7	18.00	21.85	24.74
8	21.00	24.85	27.74
9	24.00	27.85	30.74
10	27.00	30.85	33.74
11	30.00	33.85	36.74
12	33.00	36.85	39.74

FUNCTIONAL SYMBOLS				THIS DRAWING CONTAINS INFORMATION THAT IS PROPRIETARY TO MOLEX ELECTRONIC TECHNOLOGIES, LLC AND SHOULD NOT BE USED WITHOUT WRITTEN PERMISSION			
DIMENSION UNITS		SCALE		CURRENT REV DESC: ADD 8CKT AND GW OPTION			
mm		4:1					
GENERAL TOLERANCES (UNLESS SPECIFIED)							
ANGULAR TOL ± °							
4 PLACES ±		2020/11/13					
3 PLACES ±		2022/09/06					
2 PLACES ± 0.25		2022/09/07		PRODUCT CUSTOMER DRAWING			
1 PLACE ± 0.35		2017/01/05		DOCUMENT NUMBER			
0 PLACES ±		2017/01/06		2008750000-SD			
DRAFT WHERE APPLICABLE MUST REMAIN WITHIN DIMENSIONS				THIRD ANGLE PROJECTION		DRAWING SERIES	
				C-SIZE 200875		MATERIAL NUMBER CUSTOMER	
						SEE TABLE GENERAL MARKET	
						SHEET NUMBER	
						1 OF 3	

MICRO FIT SINGLE ROW TPA PLUG WITH PANEL MOUNT



PANEL MOUNTED OPTION



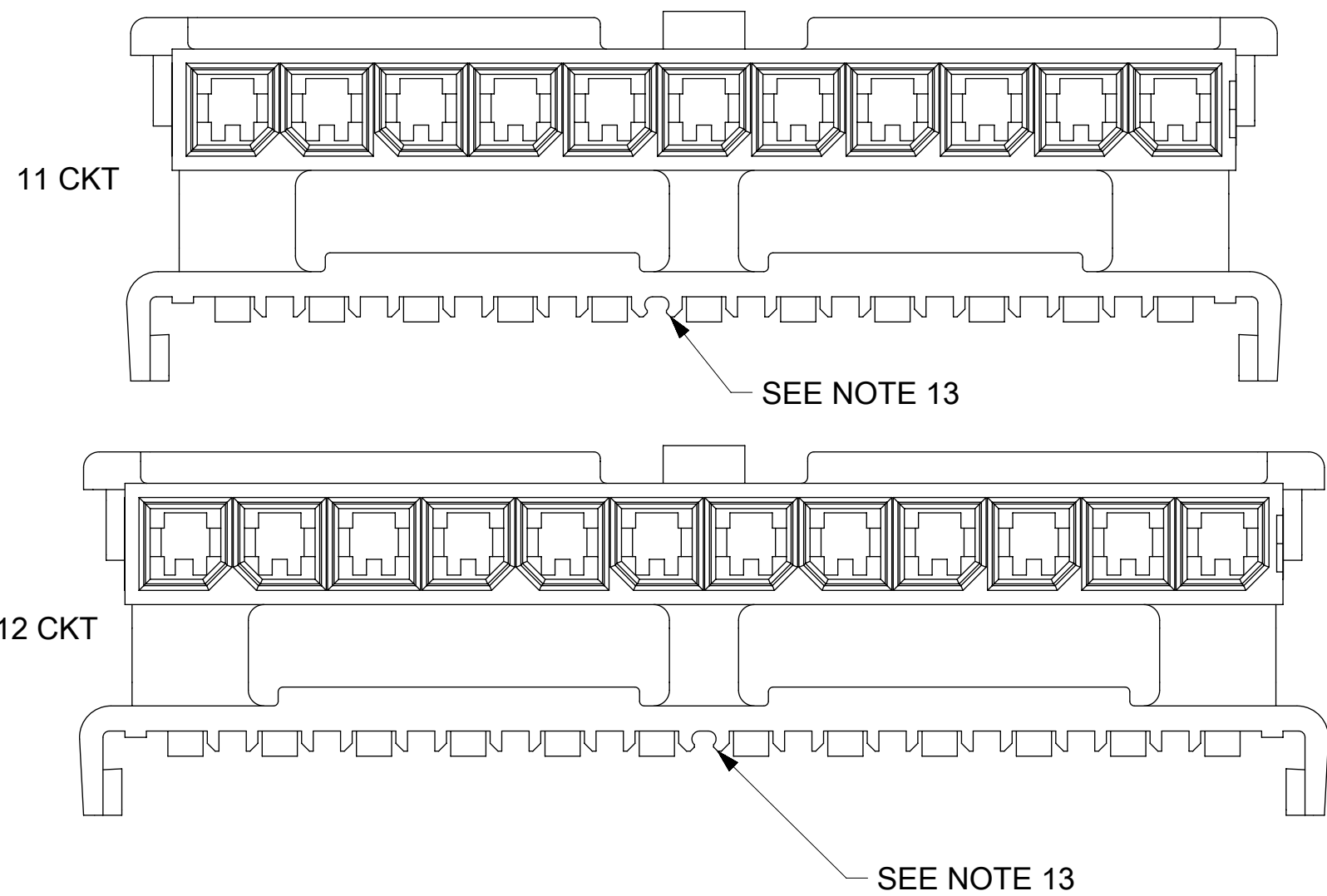
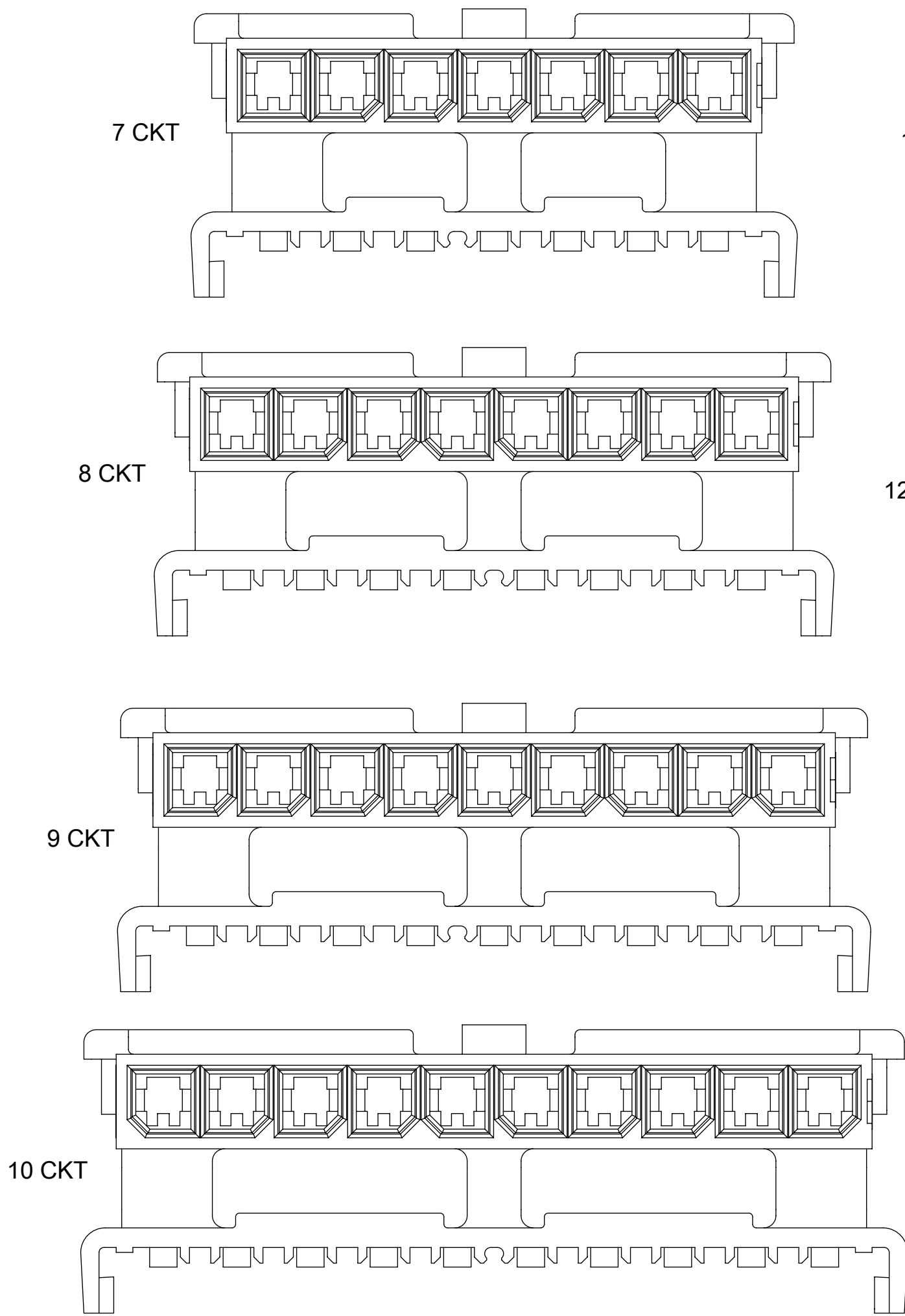
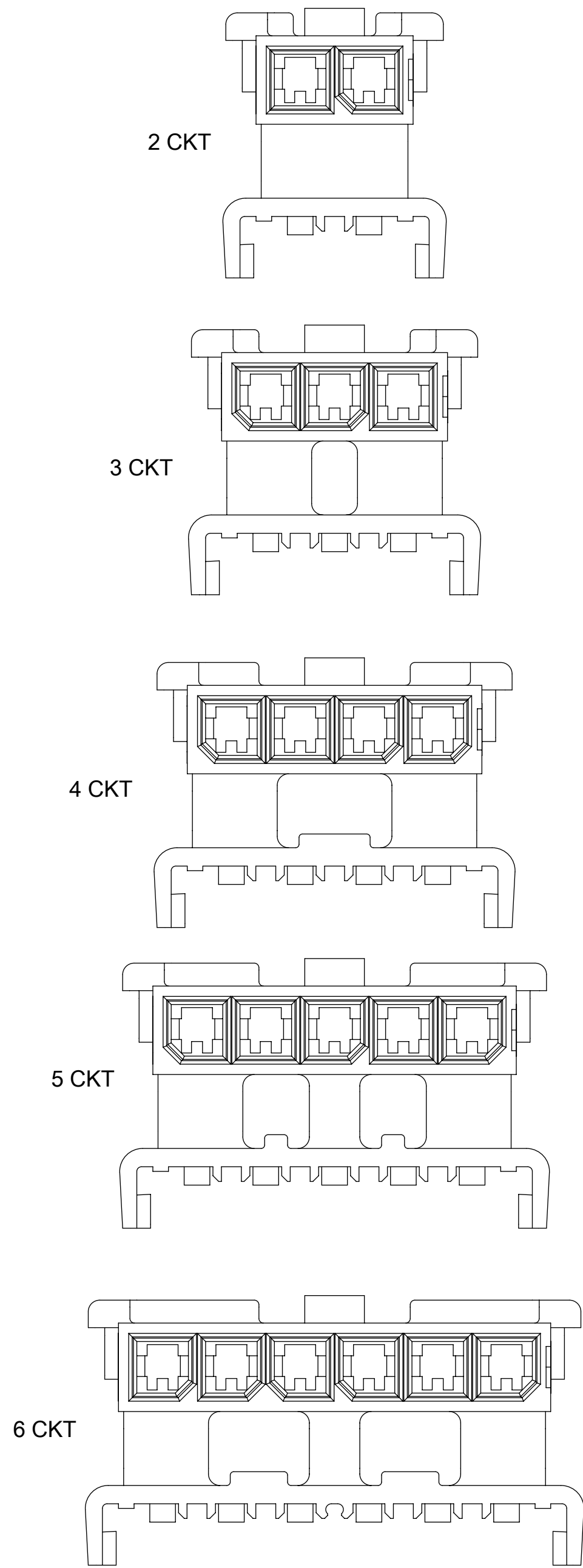
RECOMMENDED PANEL CUT-OUT
(SEE NOTES 14 AND 15)

CIRCUIT SIZE	TOOL STATUS	MATERIAL "A" V-0 LOW HALOGEN		MATERIAL "B" V-0 GLOW WIRE	
		FREE HANGING PART NUMBER	PANEL MOUNTED PART NUMBER	FREE HANGING PART NUMBER	PANEL MOUNTED PART NUMBER
		2	TOOLED	2008750002	2008750102
3	2008750003	2008750103		2008751003	2008751103
4	2008750004	2008750104		2008751004	2008751104
5	2008750005	2008750105		2008751005	2008751105
6	2008750006	2008750106		2008751006	2008751106
7	2008750007	2008750107		2008751007	2008751107
8	2008750008	2008750108		2008751008	2008751108
9	2008750009	2008750109		2008751009	2008751109
10	NOT TOOLED	2008750010	2008750110	2008751010	2008751110
11		2008750011	2008750111	2008751011	2008751111
12		2008750012	2008750112	2008751012	2008751112

CIRCUIT SIZE	DIM A	DIM C	DIM E	DIM G	DIM H
2	3.00	6.85	9.74	7.21	10.89
3	6.00	9.85	12.74	10.21	13.89
4	9.00	12.85	15.74	13.21	16.89
5	12.00	15.85	18.74	16.21	19.89
6	15.00	18.85	21.74	19.21	22.89
7	18.00	21.85	24.74	22.21	25.89
8	21.00	24.85	27.74	25.21	28.89
9	24.00	27.85	30.74	28.21	31.89
10	27.00	30.85	33.74	31.21	34.89
11	30.00	33.85	36.74	34.21	37.89
12	33.00	36.85	39.74	37.21	40.89

FUNCTIONAL SYMBOLS	THIS DRAWING CONTAINS INFORMATION THAT IS PROPRIETARY TO MOLEX ELECTRONIC TECHNOLOGIES, LLC AND SHOULD NOT BE USED WITHOUT WRITTEN PERMISSION				
	DIMENSION UNITS	SCALE			
$\frac{E}{A} = 0$ $\frac{E}{C} = 0$ $\frac{E}{P} = 0$	mm	4:1	MICRO-FIT TPA SINGLE ROW PLUG HOUSING PRODUCT CUSTOMER DRAWING		
GENERAL TOLERANCES (UNLESS SPECIFIED)		CURRENT REV DESC: ADD 8CKT AND GW OPTION			
ANGULAR TOL ± °		EC NO: 682217			
4 PLACES ±		DRWN: MKIPPER 2020/11/13			
3 PLACES ±		CHK'D: SSOUSEK 2022/09/06			
2 PLACES ± 0.25		APPR: FSMITH 2022/09/07			
1 PLACE ± 0.35		INITIAL REVISION:			
0 PLACES ±		DRWN: TGREGORI 2017/01/05			
DRAFT WHERE APPLICABLE MUST REMAIN WITHIN DIMENSIONS		APPR: RHODGE 2017/01/06			
THIRD ANGLE PROJECTION		DRAWING	SERIES	DOCUMENT NUMBER	
		C-SIZE	200875	2008750000-SD	
		MATERIAL NUMBER	CUSTOMER	DOC TYPE DOC PART REVISION	
		SEE TABLE	GENERAL MARKET	PSD 000 D2	
				SHEET NUMBER	
				2 OF 3	

POLARIZATION LAYOUT



THIS DRAWING CONTAINS INFORMATION THAT IS PROPRIETARY TO MOLEX ELECTRONIC TECHNOLOGIES, LLC AND SHOULD NOT BE USED WITHOUT WRITTEN PERMISSION									
FUNCTIONAL SYMBOLS	DIMENSION UNITS	SCALE	CURRENT REV DESC: ADD 8CKT AND GW OPTION						
$\nabla_A = 0$	mm	5:1	EC NO: 682217 DRWN: MKIPPER 2020/11/13 CHK'D: SSOUSEK 2022/09/06 APPR: FSMITH 2022/09/07 INITIAL REVISION: DRWN: TGREGORI 2017/01/05 APPR: RHODGE 2017/01/06						
$\nabla_C = 0$	GENERAL TOLERANCES (UNLESS SPECIFIED)								
$\nabla_P = 0$	ANGULAR TOL ± °								
DIVISIONAL SYMBOLS	4 PLACES ±		DOCUMENT NUMBER				DOC TYPE	DOC PART	REVISION
	3 PLACES ±		2008750000-SD				PSD	000	D2
	2 PLACES ± 0.25		MATERIAL NUMBER		CUSTOMER		SHEET NUMBER		
	1 PLACE ± 0.35		SEE TABLE		GENERAL MARKET		3 OF 3		
	0 PLACES ±		DRAWING		SERIES				
	DRAFT WHERE APPLICABLE MUST REMAIN WITHIN DIMENSIONS	THIRD ANGLE PROJECTION	C-SIZE		200875				