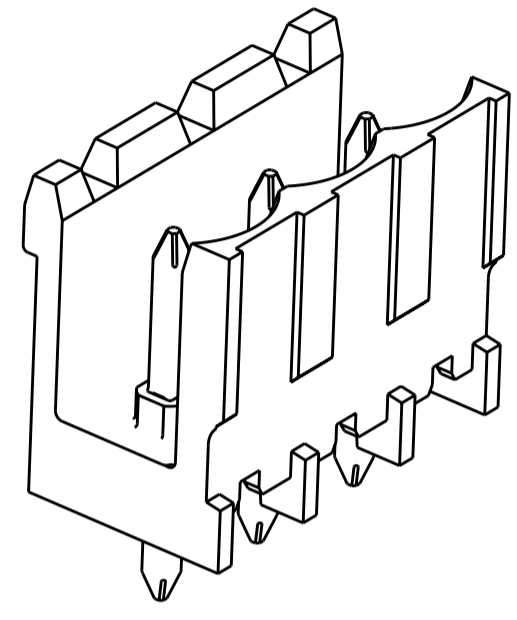
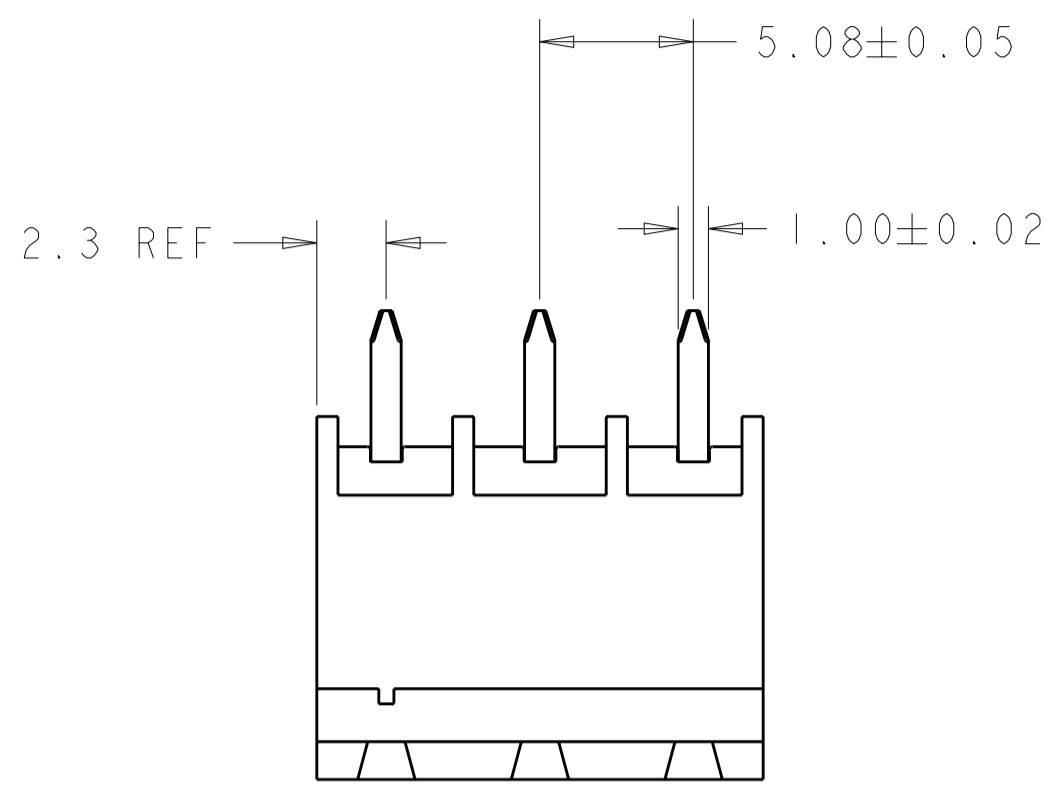
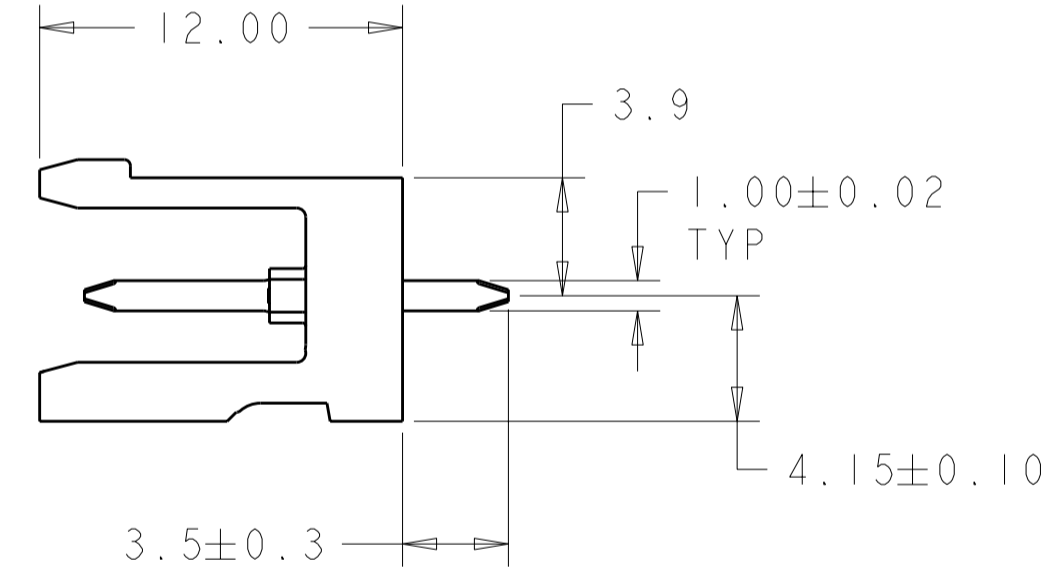
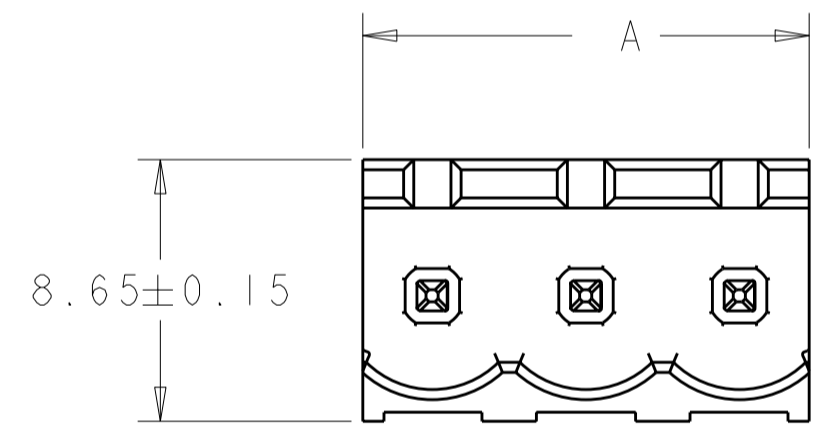


THIS DRAWING IS UNPUBLISHED. RELEASED FOR PUBLICATION 20  
 © COPYRIGHT 20 Tyco Electronics AMP GmbH ALL RIGHTS RESERVED.

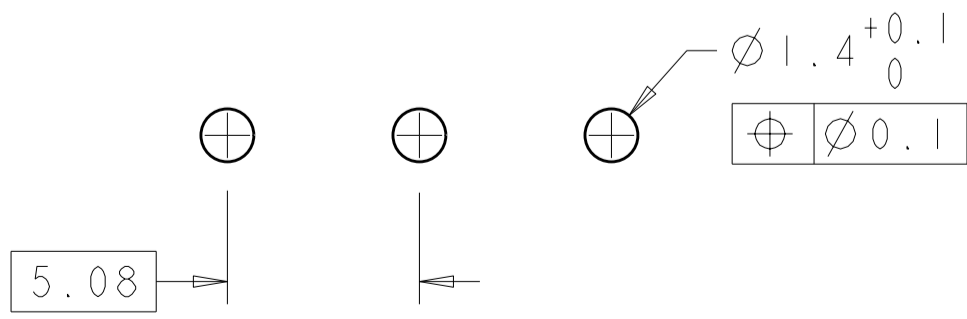
LOC		DIST		REVISIONS			
P	LTR	DESCRIPTION	DATE	DWN	APVD		
	02	REVISED PER ECO-12-007711	26APR2012	KH	MS		



- △ MATERIALS AND FINISH:  
 HOUSING: HIGH TEMPERATURE POLYAMIDE, UL 94V-0 RATED,  
 COLOR: BLACK.  
 TERMINAL: COPPER ALLOY, FINISH: TIN PLATED.
- SUITABLE FOR 1,6-2,4mm PC BOARD THICKNESS.
  - END-TO-END STACKABLE WITHOUT LOSS OF CENTERLINE SPACING.
  - RECOGNIZED UNDER THE COMPONENT PROGRAM OF UNDERWRITERS LABORATORIES INC. FILE N°E60677.
  - IMQ CERTIFICATE WITH SURVEILLANCE IN CONFORMITY WITH IEC 998-1/998-2-1.
  - UL RATING: 300V, 15A.



60.48±0.20	12	1-1776139-2
55.40±0.20	11	1-1776139-1
50.32±0.10	10	1-1776139-0
45.24±0.15	9	1776139-9
40.16±0.15	8	1776139-8
35.08±0.15	7	1776139-7
30.00±0.15	6	1776139-6
24.92±0.10	5	1776139-5
19.84±0.10	4	1776139-4
14.76±0.10	3	1776139-3
9.68±0.10	2	1776139-2
A	NO OF POSN	PART NUMBER



RECOMMENDED PC BOARD LAYOUT

THIS DRAWING IS A CONTROLLED DOCUMENT.

DIMENSIONS:	TOLERANCES UNLESS OTHERWISE SPECIFIED:	DWN S. WELDON 03JUN2005	TE Connectivity
mm	0 PLC ±-	CHK C. RICHARD 03JUN2005	
	1 PLC ±.3	APVD C. RICHARD 03JUN2005	
	2 PLC ±.25	PRODUCT SPEC 108-20166	
	3 PLC ±-	APPLICATION SPEC 114-20079	NAME: TERMINAL BLOCK HEADER ASSEMBLY 180 DEGREE OPEN ENDS, STACKING 5.08mm PITCH
	4 PLC ±-	WEIGHT -	SIZE: A2
MATERIAL	FINISH	CUSTOMER DRAWING	CAGE CODE: 00779
			DRAWING NO: 1776139
			RESTRICTED TO: -
			SCALE: 3:1
			SHEET 1 OF 1
			REV 02