

Housing - HC-D50-SMQ-81/O2PG29 - 1416401

Please be informed that the data shown in this PDF Document is generated from our Online Catalog. Please find the complete data in the user's documentation. Our General Terms of Use for Downloads are valid (<http://phoenixcontact.com/download>)



Box mounting bases D50, with double locking latch, material: Aluminum die-cast, cable outlets: 2, lateral, height: 81 mm, cable gland: none, support sleeve: yes, 2x Pg29, Standard



Key Commercial Data

Packing unit	10 pc
GTIN	
GTIN	4055626072616

Technical data

Dimensions

Height	81 mm
Width	59 mm
Length	106 mm

Ambient conditions

Degree of protection of housing (IP)	IP65
Ambient temperature (operation)	-40 °C ... 125 °C

General

Note	For contact inserts HC-D25, A16/A32
Size	D50
Housing type	Box mounting bases
Locking type	with double locking latch
No. of cable outlets	2
Cable outlet	lateral
Screw connection	none
Type of the screw connection	2x Pg29
Housing material	Aluminum die-cast
Housing surface material	Powder-coated, gray

Housing - HC-D50-SMQ-81/O2PG29 - 1416401

Technical data

General

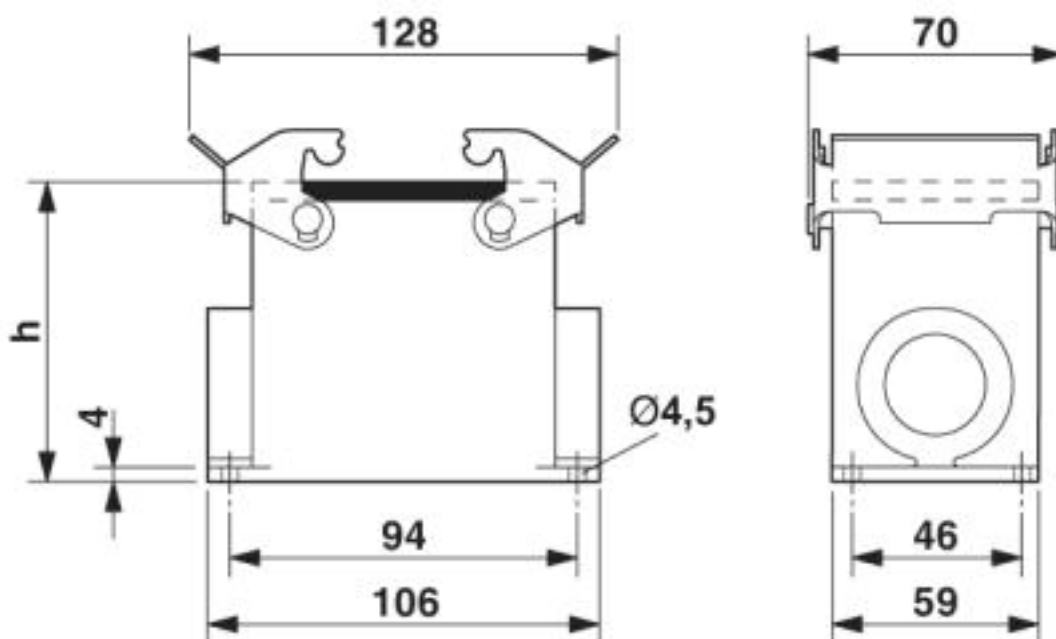
Material lock	Steel, galvanized
---------------	-------------------

Environmental Product Compliance

China RoHS	Environmentally friendly use period: unlimited = EFUP-e
	No hazardous substances above threshold values

Drawings

Dimensional drawing



Dimensional drawing

Approvals

Approvals

Approvals

EAC

Ex Approvals

Approval details

Housing - HC-D50-SMQ-81/O2PG29 - 1416401

Approvals

EAC



RU C-
DE.AI30.B.01102

Phoenix Contact 2019 © - all rights reserved
<http://www.phoenixcontact.com>

PHOENIX CONTACT GmbH & Co. KG
Flachsmarktstr. 8
32825 Blomberg
Germany
Tel. +49 5235 300
Fax +49 5235 3 41200
<http://www.phoenixcontact.com>