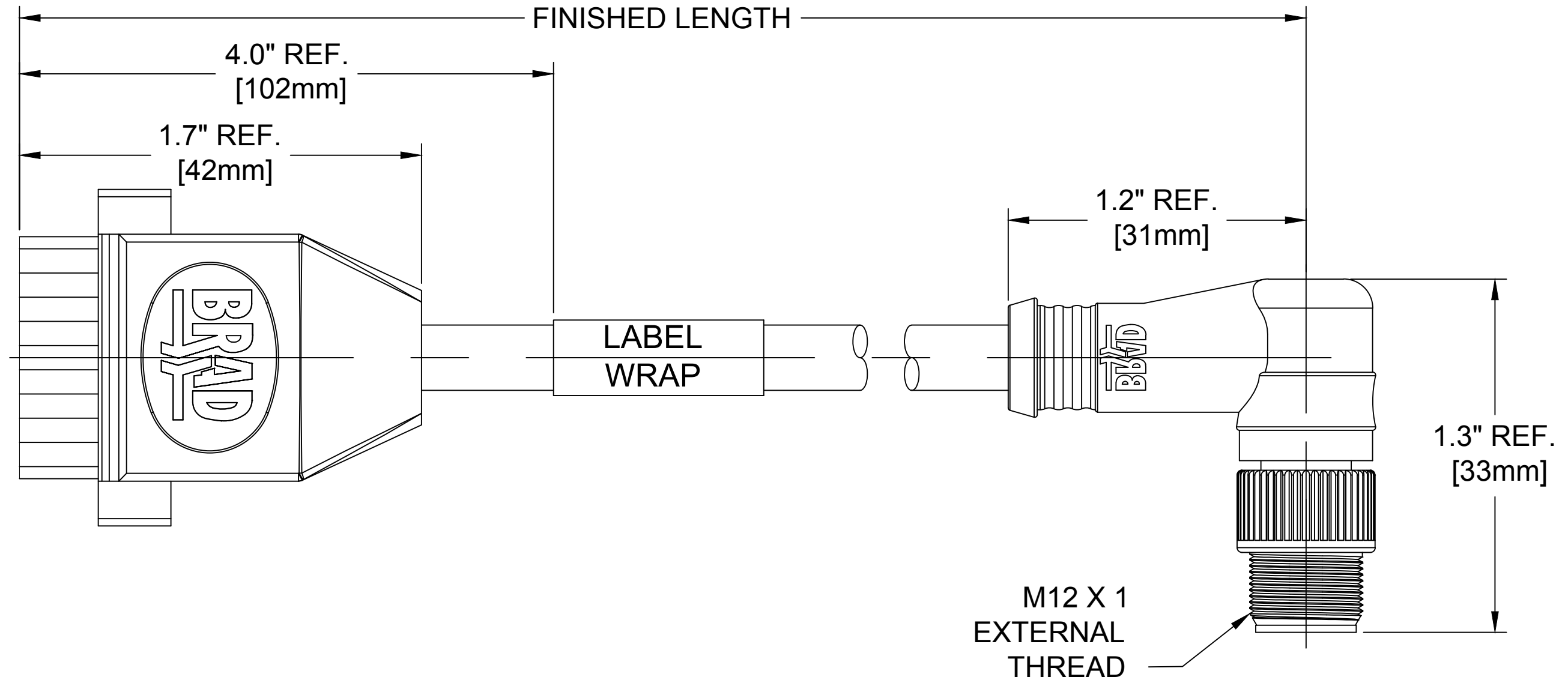
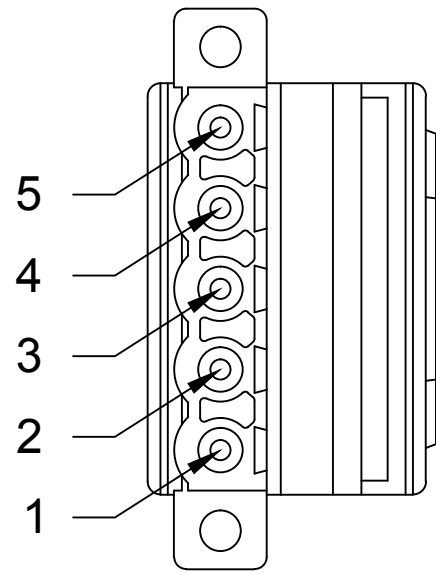
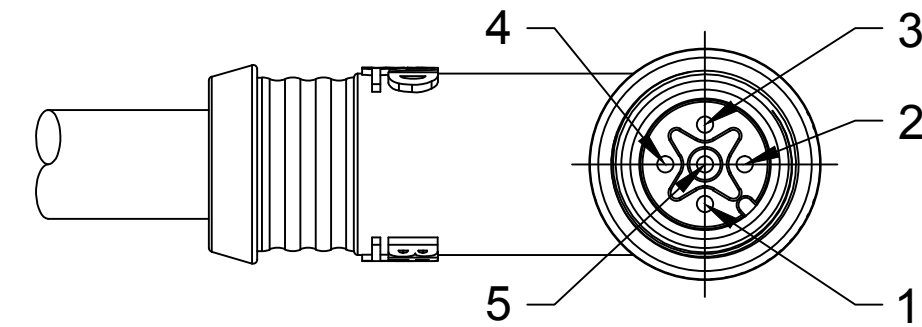


13	12	11	10	9	8	7	6	5	4	3	2	1
MATERIAL NUMBER		ENGINEERING NUMBER		FINISHED LENGTH								
1300390549		DNDF43A-M010		1M +55.6mm -0 [3.3FT +2.2IN -0]								

FEMALE FACE VIEW



MALE FACE VIEW

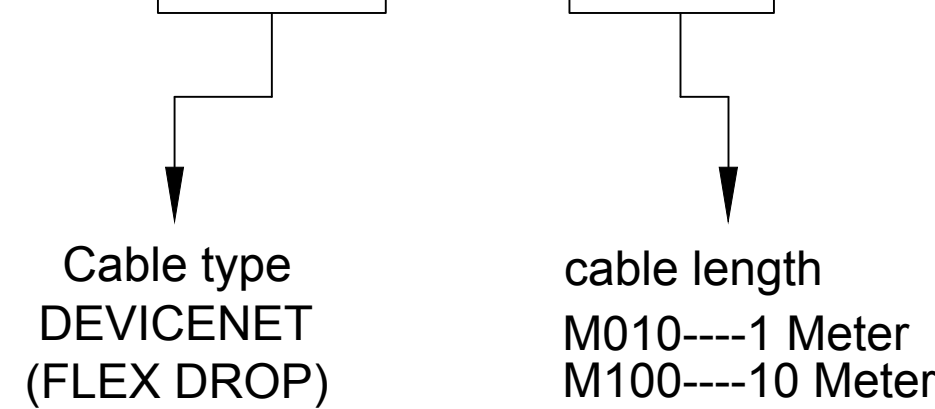


SPECIFICATION DATA

**ELECTRICAL DATA:**  
 MAX. VOLTAGE: 250 VAC  
 MAX. CURRENT: 4 AMPS  
**ENVIRONMENTAL:**  
 PROTECTION IP20  
 TEMPERATURE RANGE: -20°C TO 80°C  
**CERTIFICATIONS:**  
 cCSAus FILE: LR6837  
 ASSEMBLY IS RoHS COMPLIANT.

LABEL	PLASTIC FILM	YELLOW
OVERMOLD	TPE	GRAY
COUPLING NUT	ZINC DIE-CAST	BLACK E-COAT
INSERT	NYLON	BLACK
CONTACT	COPPER ALLOY	GOLD PLATING
D-NET OPEN CONNECTOR	POLYAMIDE	GRAY
CABLE # 22/2 & #24/2 + DRAIN	TPE JACKET	GRAY
DESCRIPTION	MATERIAL	FINISH

DNDF43A-M010



WIRING DIAGRAM

3	DRAIN	1	
5	RED	2	
1	BLACK	3	
4	WHITE	4	
2	BLUE	5	

FEMALE MALE

RELEASE EC NO: IFC2014-0701 DRWN: GGUSTAFS 2013/10/17 CH'KD: BARDEN APPR: BWOODMAN 2013/10/21	DESCRIPTION REV	QUALITY SYMBOL	GENERAL TOLERANCES (UNLESS SPECIFIED)		DIMENSION STYLE IN/MM		SCALE NTS	DESIGN UNITS INCH	THIRD ANGLE PROJECTION		
		▽=0	4 PLACES	mm	INCH	DRAWN BY	DATE	TITLE	MICRO-CHANGE TO OPEN 5P MA 90 TO FE OPEN DEVICENET FLEX DROP		
		∇=0	3 PLACES	±---	±---	GGUSTAFS	2013/10/17				
			2 PLACES	±0.13	±0.05	CHECKED BY	DATE				
	1 PLACE	±0.25	±0.010	BARDEN	2013/11/11						
			ANGULAR ±.5°	1 PLACE	±0.25	±0.020	APPROVED BY	DATE	MOLEX INCORPORATED		
			DRAFT WHERE APPLICABLE MUST REMAIN WITHIN DIMENSIONS				BWOODMAN	2013/10/21	MOLEX INCORPORATED		
							MATERIAL NO. SEE CHART		DOCUMENT NO. SD-130039-059	SHEET NO. 1 OF 1	
							THIS DRAWING CONTAINS INFORMATION THAT IS PROPRIETARY TO MOLEX INCORPORATED AND SHOULD NOT BE USED WITHOUT WRITTEN PERMISSION				