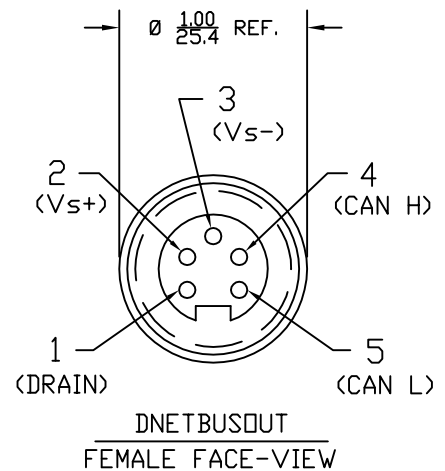
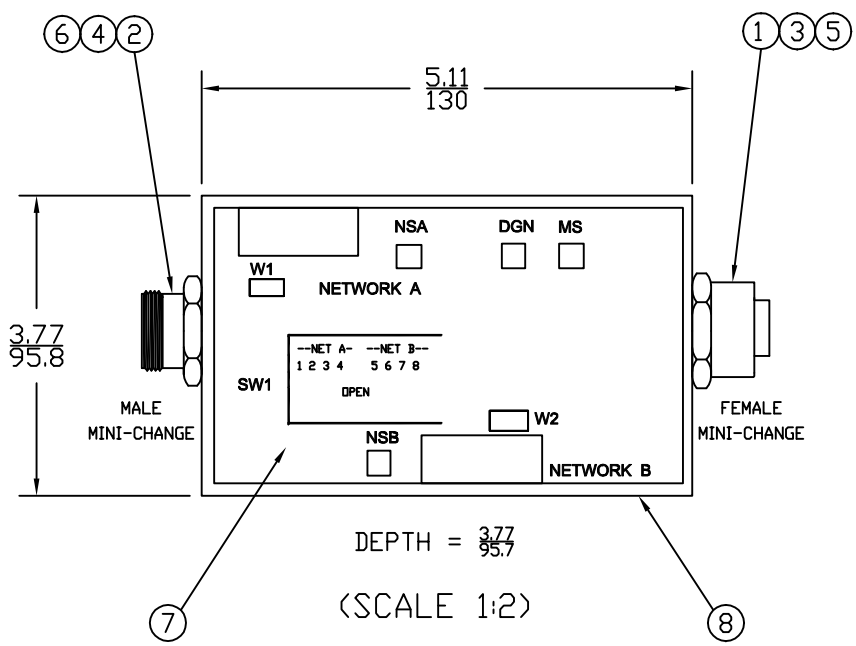
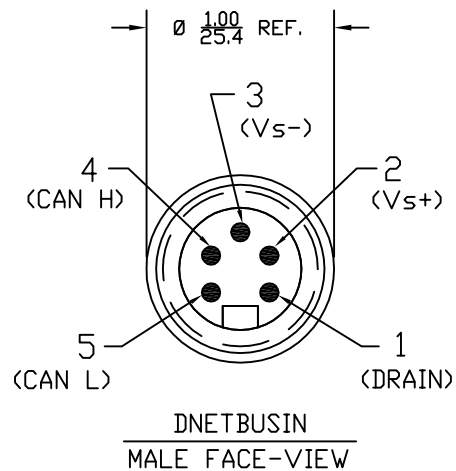


SAP P/N#	ENGINEERING NO.
1300390389	DNETEXT-C



NOTES:

- 1) MATERIAL: SEE TABLE
- 2) FINISHES: SEE TABLE
- 3) ELECTRICAL DATA (MAXIMUM POWER):
 VOLTAGE: 11-25V DC
 NETWORK A: 140mA @ 11V DC - 60mA @ 25V DC
 NETWORK B: 10mA @ 11V DC - 10mA @ 25V DC
 POWER: 1.8 W
 POWER SUPPLY: POWERED BY 24V DC BUS LINE
- 4) BAUD RATE: 125K, 250K, 500K, 1M - AUTOMATIC SELECTION
- 5) MOUNTING: PANEL-MOUNT, 4 SCREWS
- 6) ENVIRONMENTAL:
 PROTECTION: IP65
 TEMPERATURE: 0°C TO +70°C
- 7) ASSEMBLY IS RoHS COMPLIANT.

DEPTH = 3.77
95.8
(SCALE 1:2)

8	1	HOUSING	PLASTIC	GRAY BACK, CLEAR TOP
7	1	CIRCUIT BOARD	-	-
6	5	PIN CONTACT	COPPER ALLOY	GOLD PLATED
5	5	SOCKET CONTACT	COPPER ALLOY	GOLD PLATED
4	1	INSERT: MALE	PVC	YELLOW
3	1	INSERT: FEMALE	PVC	GRAY
2	1	SHELL: MALE	ZINC DIECAST	BLACK COATING
1	1	SHELL: FEMALE	ANODIZED AL	GRAY
ITEM	QTY.	DESCRIPTION	MATERIAL	FINISH

SD RELEASE
 EC NO: WNA2010-0151
 DRWN: YOU 8/28/09
 CHKD: BWOODMAN09/08/31
 APPR: JFMURPHY 2009/08/31

QUALITY SYMBOLS
 ▽=0
 ▽=0

GENERAL TOLERANCES (UNLESS SPECIFIED)

	mm	INCH
4 PLACES	±----	±----
3 PLACES	±----	±.005
2 PLACES	±----	±.010
1 PLACE	±----	±.020

ANGULAR ±1°

DRAFT WHERE APPLICABLE
 MUST REMAIN
 WITHIN DIMENSIONS

DIMENSION STYLE
 INCH/MM

DRAWN BY DATE
 YOU 2009/08/28

CHECKED BY DATE
 BWOODMAN 2009/08/31

APPROVED BY DATE
 JFMURPHY 2009/08/31

MATERIAL NO.
 SEE CHART

SIZE
 A

SCALE 1:2

DESIGN UNITS INCH

THIRD ANGLE PROJECTION

TITLE
 DEVICENET BUS EXTENDER

MOLEX INCORPORATED

DOCUMENT NO. SD-130039-017

SHEET NO. 1 OF 1

THIS DRAWING CONTAINS INFORMATION THAT IS PROPRIETARY TO MOLEX INCORPORATED AND SHOULD NOT BE USED WITHOUT WRITTEN PERMISSION