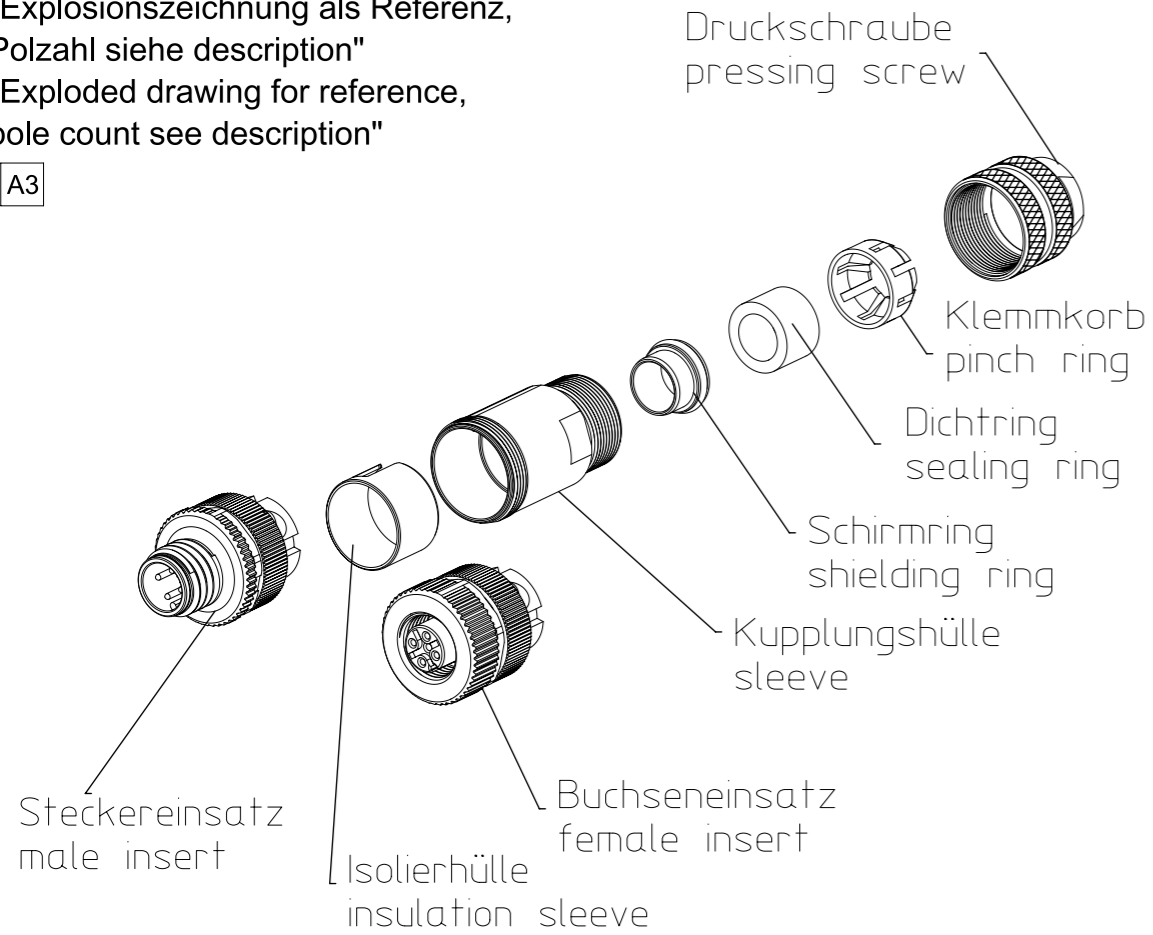


"Explosionszeichnung als Referenz,
Polzahl siehe description"
"Exploded drawing for reference,
pole count see description"

A3

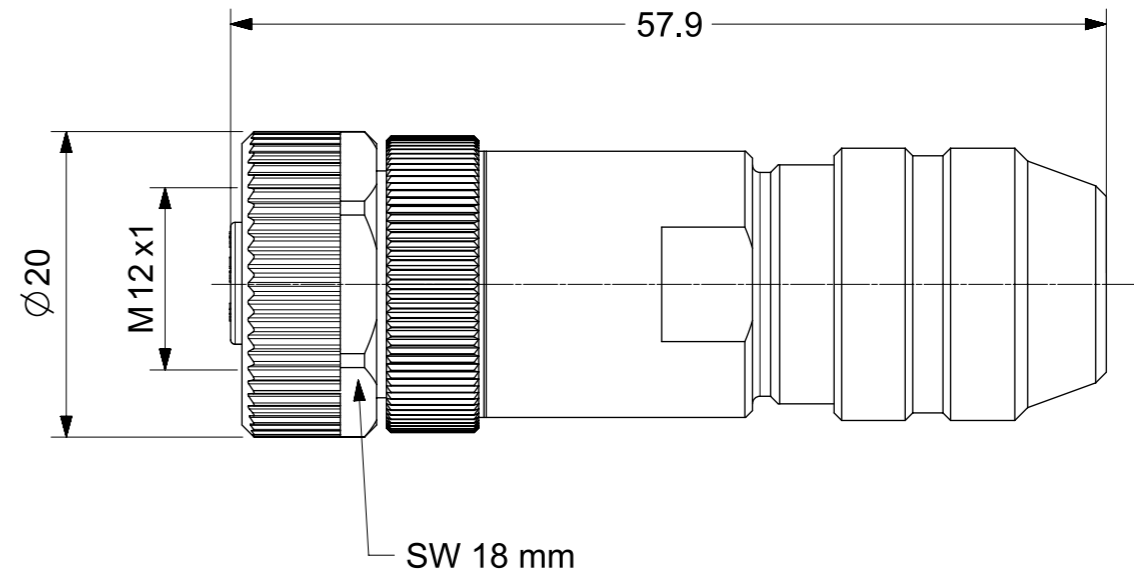
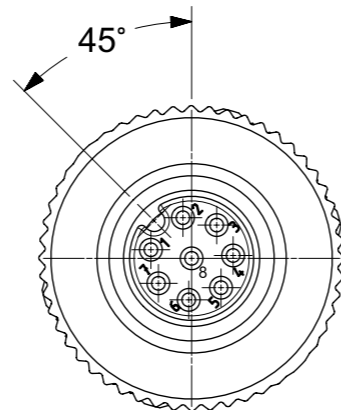


CHANGES SEE
REVISION MARKING A3

NOTES

NOTES:

- 1: LOCKING SYSTEM: SCREW
WIRE GAUGE: 0.50mm²
CABLE OUTLET: 6 - 8mm
2. ELECTRICAL DATA:
CURRENT RATING: 2A
VOLTAGE RATING: 30V
3. MECHANICAL:
OPERATING TEMP.: -40°C to +85°C
PROTECTION CLASS: IP67
4. MATERIAL:
CONTACT: CuZn (BRASS)
CONTACT PLATING: Au (GOLD)
HOUSING: zinc die cast
COUPLING NUT: CuZn (BRASS)



ENG.-NO: 8A8S00-32

THIS DRAWING CONTAINS INFORMATION THAT IS PROPRIETARY TO MOLEX ELECTRONIC TECHNOLOGIES, LLC AND SHOULD NOT BE USED WITHOUT WRITTEN PERMISSION



EC NO: 107393 DRWN: LRAMMURTHY CHK'D: REV APPR: RSILLER	2016/08/10	2016/08/29	GENERAL TOLERANCES (UNLESS SPECIFIED)		DIMENSION UNITS	SCALE	molex [®]				
			ANGULAR TOL ± 1.0 °		MM	2:1					
			4 PLACES ±	MSCHWARZ		DATE		FA M12 8P AC FE STR SCR SHLD			
			3 PLACES ±	CHK'D BY		DATE		PRODUCT CUSTOMER DRAWING			
		2 PLACES ± 0.05	APPR BY		DATE		SERIES	MATERIAL NUMBER	CUSTOMER		
		1 PLACE ± 0.3					120071	1200710083	GENERAL MARKET		
		0 PLACES ± 0.5					DOCUMENT NUMBER		DOC TYPE	DOC PART	SHEET NUMBER
		DRAFT WHERE APPLICABLE MUST REMAIN WITHIN DIMENSIONS					1200710083		PSD	000	1 OF 1
					DRAWING SIZE	THIRD ANGLE PROJECTION					
					A3						