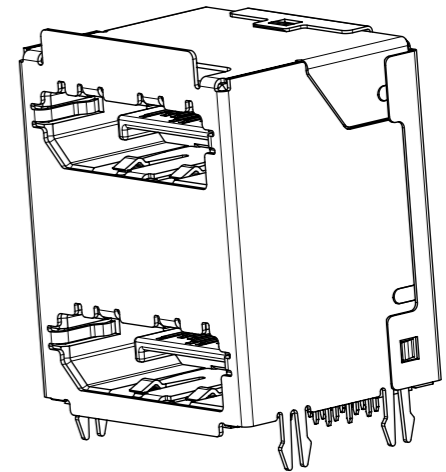
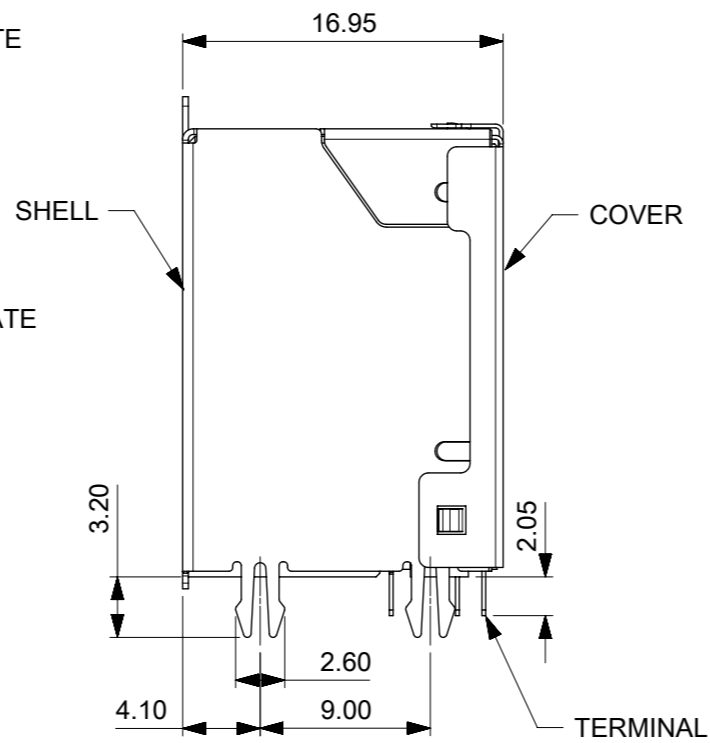
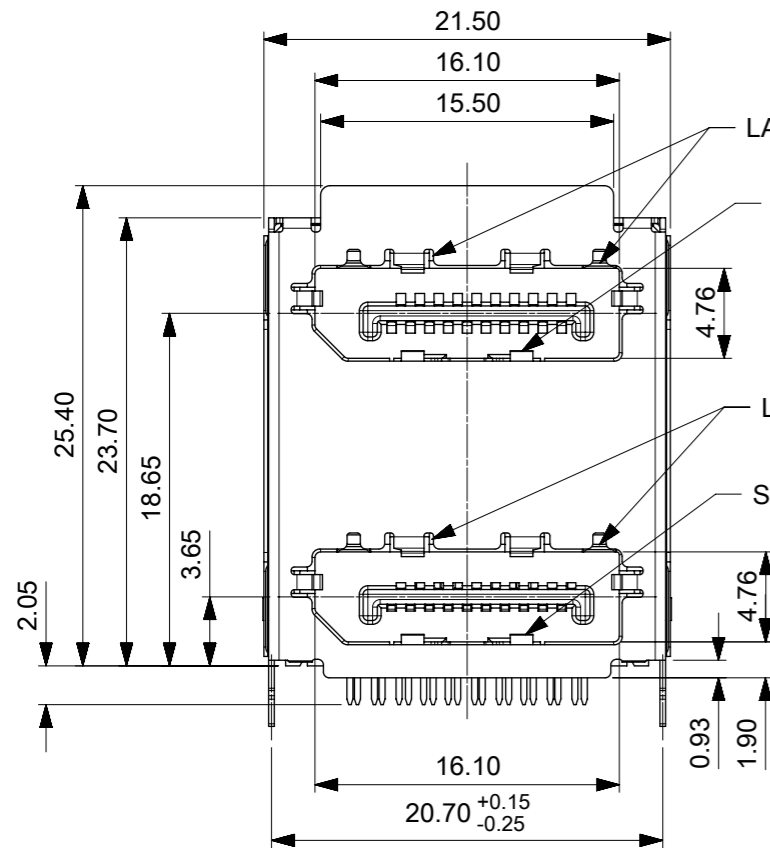
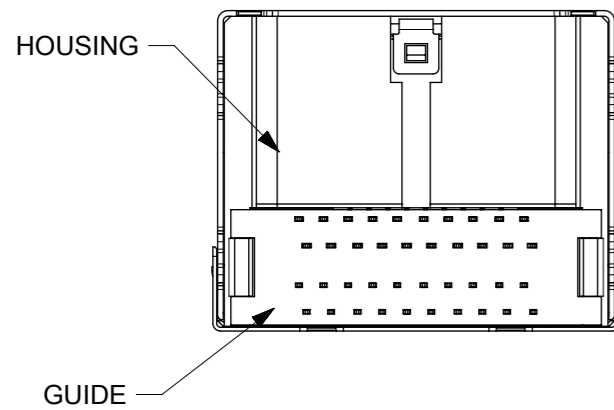


DATA CODE  
YY: YEAR  
MM: MONTH  
DD: DAY

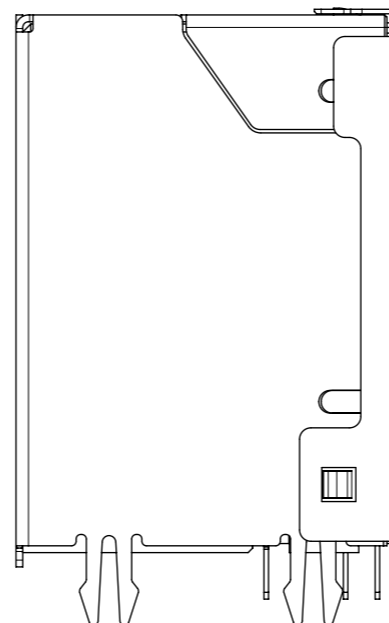
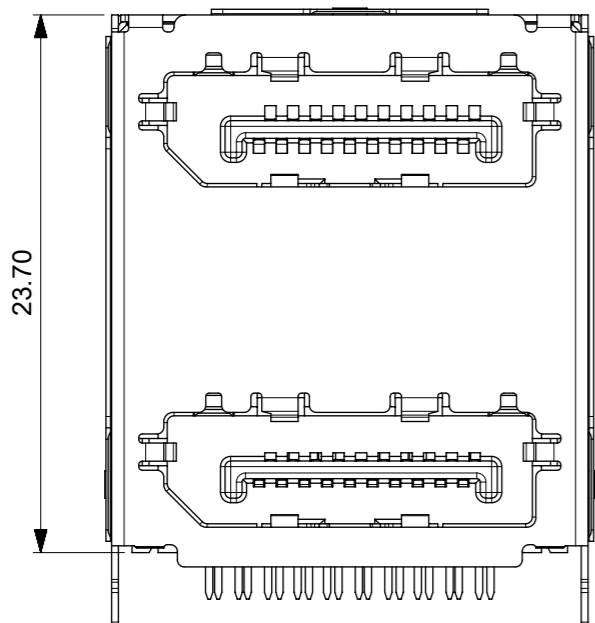
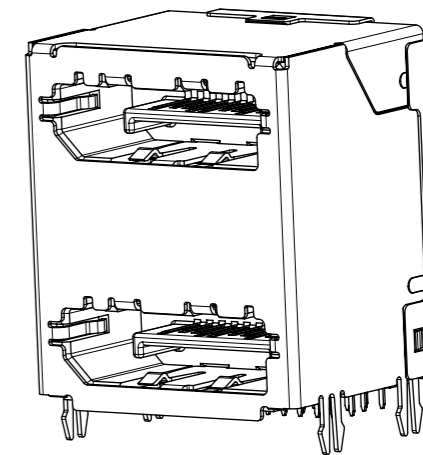
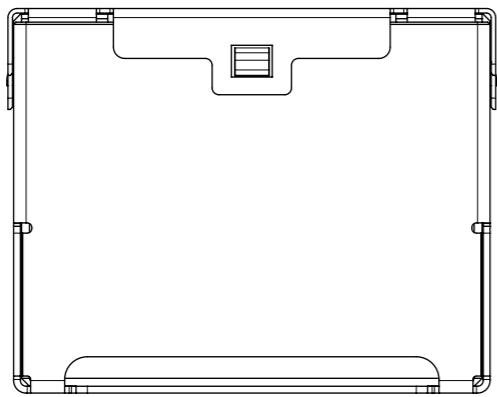


- NOTES:
- MATERIAL:
    - HOUSING: HIGH TEMPERATURE THERMAL PLASTIC, BLACK, 30% G/F, UL94V-0
    - GUIDE: HIGH TEMPERATURE THERMAL PLASTIC, BLACK, 30% G/F, UL94V-0
    - TERMINAL: COPPER ALLOY
    - SHELL, LATCH HOLE PLATE, SPRING: STAINLESS STEEL
  - PLATING:
    - TERMINAL: CONTACT AREA:
      - 0.76 MICRON MIN. GOLD PLATING
      - 0.10 MICRON MIN. GOLD PLATING OVER 0.64 MICRON MIN. PALLADIUM/NICKEL PLATING
      - 0.38 MICRON MIN. GOLD PLATING
      - GOLD FLASH PLATING
    - SOLDER TAIL: 1 MICRON MIN. MATTE TIN PLATING
    - UNDER PLATING: 1 MICRON MIN. NICKEL PLATING OVERALL
    - SHELL: SOLDER TAIL: 1 MICRON MIN. MATTE TIN PLATING
    - UNDER PLATING: 0.15 MICRON MIN. NICKEL PLATING
  - PRODUCT SPEC REFER TO PS-47272-001
  - PACKAGE SPEC REFER TO PK-105276-001
  - PRODUCT COMPLIANT TO ROHS DIRECTIVE 2011/65/EU AND ELV DIRECTIVE 2000/53/EC



PART NO.	DESCRIPTION
1052760501	CONTACT AREA PLATING (1)
1052760101	CONTACT AREA PLATING (2)
1052760301	CONTACT AREA PLATING (4)

THIS DRAWING CONTAINS INFORMATION THAT IS PROPRIETARY TO MOLEX ELECTRONIC TECHNOLOGIES, LLC AND SHOULD NOT BE USED WITHOUT WRITTEN PERMISSION																
QUALITY SYMBOLS	2016/10/19	2017/01/04	GENERAL TOLERANCES (UNLESS SPECIFIED)		DIMENSION UNITS	SCALE	 STACK TYPE DISPLAYPORT DIP TYPE CONNECTOR									
			ANGULAR TOL ± 3.0 °		MM	2.5:1										
▽A = 0	EC NO: 110990	DRWN: RZHANG	4 PLACES ±	DRAFT WHERE APPLICABLE MUST REMAIN WITHIN DIMENSIONS	DRWN BY	DATE						PRODUCT CUSTOMER DRAWING				
▽E = 0			3 PLACES ±		RZHANG	2014/02/26										
▽F = 0			2 PLACES ± 0.25		CHK'D BY	DATE										
▽ = 0			1 PLACE ± 0.3		APP'R BY	DATE	SERIES MATERIAL NUMBER CUSTOMER									
▽C = 0	0 PLACES ±	AYIN	2014/02/26	105276 SEE CHART GENERAL MARKET												
▽X = 0	A5		DRAWING SIZE		THIRD ANGLE PROJECTION		DOCUMENT NUMBER DOC TYPE DOC PART SHEET NUMBER									
■ = 0	A5		A3				SD-105276-001 PSD 000 1 OF 4									
▽ = 0																



PIN ASSIGNMENT			
PIN NO.		SOURCE SIDE	SINK SIDE
P1	P21	ML_LANE 0(P)	ML_LANE 3(N)
P2	P22	GND	GND
P3	P23	ML_LANE 0(N)	ML_LANE 3(P)
P4	P24	ML_LANE 1(P)	ML_LANE 2(N)
P5	P25	GND	GND
P6	P26	ML_LANE 1(N)	ML_LANE 2(P)
P7	P27	ML_LANE 2(P)	ML_LANE 1(N)
P8	P28	GND	GND
P9	P29	ML_LANE 2(N)	ML_LANE 1(P)
P10	P30	ML_LANE 3(P)	ML_LANE 0(N)
P11	P31	GND	GND
P12	P32	ML_LANE 3(N)	ML_LANE 0(P)
P13	P33	CONFIG 1	CONFIG 1
P14	P34	CONFIG 2	CONFIG 2
P15	P35	AUX CH(P)	AUX CH(P)
P16	P36	GND	GND
P17	P37	AUX CH(N)	AUX CH(N)
P18	P38	HOT PLUG DETECT	HOT PLUG DETECT
P19	P39	RETURN	RETURN
P20	P40	DP POWER	DP POWER

NOTES:  
ALL UNSPECIFIED DIMENSIONS IS SAME AS 1052760501

PART NO.	DESCRIPTION
1052760201	CONTACT AREA PLATING (3)
1052760601	CONTACT AREA PLATING (1)

<b>QUALITY SYMBOLS</b> 	THIS DRAWING CONTAINS INFORMATION THAT IS PROPRIETARY TO MOLEX ELECTRONIC TECHNOLOGIES, LLC AND SHOULD NOT BE USED WITHOUT WRITTEN PERMISSION										
	2016/10/19	2017/01/04	GENERAL TOLERANCES (UNLESS SPECIFIED)		DIMENSION UNITS	SCALE					
			ANGULAR TOL ± 3.0 °		MM						
	EC NO: 110990 DRWN: RZHANG CHK'D: APPR: AYIN	REV: A5	4 PLACES ±		DRWN BY	DATE					STACK TYPE DISPLAYPORT DIP TYPE CONNECTOR
			3 PLACES ±		RZHANG	2014/02/26					
			2 PLACES ± 0.25		CHK'D BY	DATE					
			1 PLACE ± 0.3		APPR BY	DATE	PRODUCT CUSTOMER DRAWING				
	0 PLACES ±		DRAFT WHERE APPLICABLE MUST REMAIN WITHIN DIMENSIONS		DRAWING SIZE	THIRD ANGLE PROJECTION	SERIES	MATERIAL NUMBER	CUSTOMER		
					A3		105276	SEE CHART	GENERAL MARKET		
							DOCUMENT NUMBER		DOC TYPE	DOC PART	SHEET NUMBER
						SD-105276-001		PSD	000	2 OF 4	

