

## OMX-01HMBT0001 HDBaseT 4K HDMI Extender Set

### INSTALLATION & SPECIFICATIONS

#### Transmitter



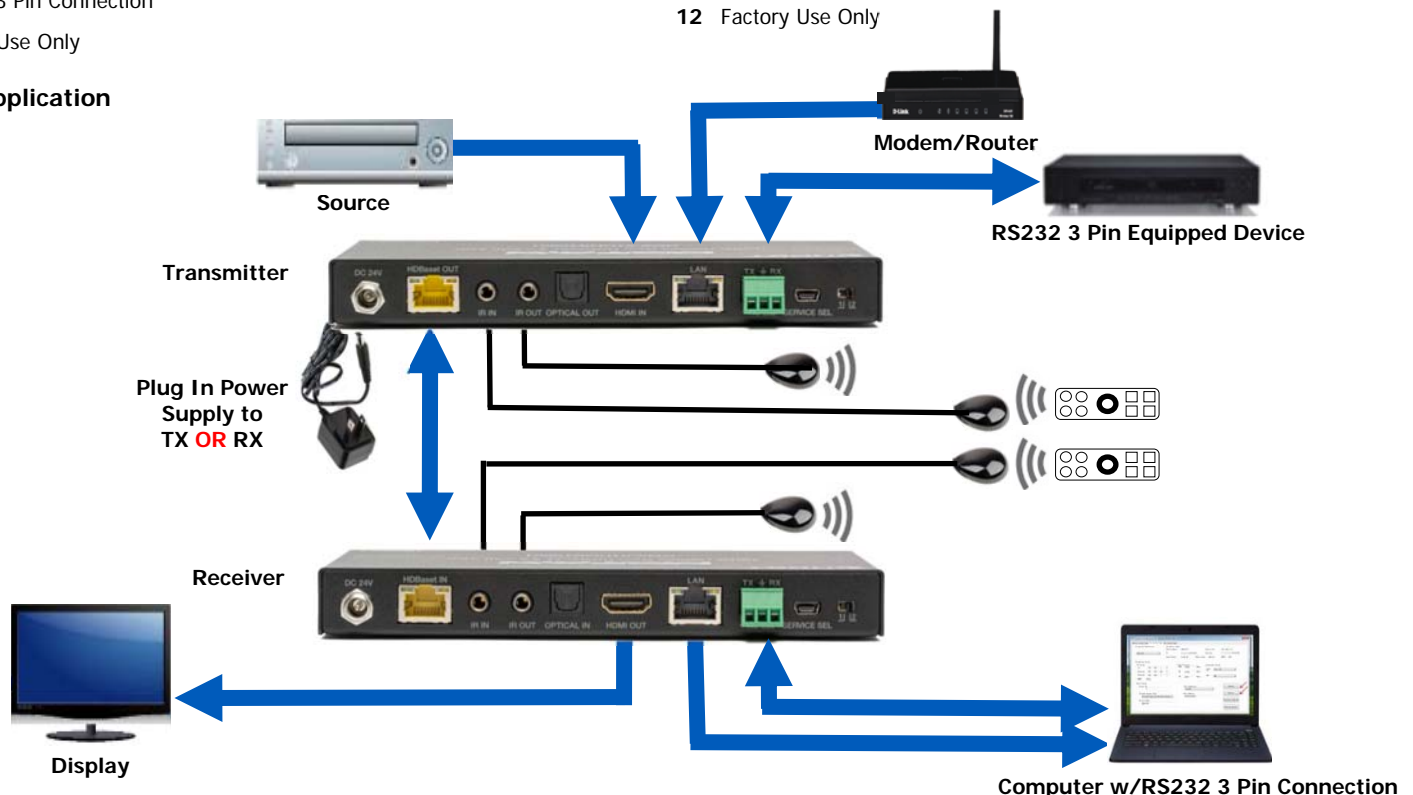
- 1 POWER LED Status Indicator
- 2 ARC LED Status Indicator
- 3 ARC ON/Off Button
- 4 DC 24V: Plug in AC Power Adaptor
- 5 HDBaseT OUT: Connects to HDBaseT Receiver with a Cat5e/6/7 cable
- 6 IR IN: Connects to IR RX Cable
- 7 IR OUT: Connects to IR TX Cable
- 8 OPTICAL OUT: Connects to Speaker for audio signal output from RX Optical In or ARC
- 9 HDMI IN: Connects to HDMI Source
- 10 LAN: Connect to an Active LAN Network up to 100Mbps
- 11 RS-232 3 Pin Connection
- 12 Factory Use Only

#### Receiver



- 1 POWER LED Status Indicator
- 2 ARC LED Status Indicator
- 3 ARC ON/Off Button
- 4 DC 24V: Plug in AC Power Adaptor
- 5 HDBaseT IN: Connects to HDBaseT Transmitter with a Cat5e/6/7 cable
- 6 IR IN: Connects to IR RX Cable
- 7 IR OUT: Connects to IR TX Cable
- 8 OPTICAL IN: Connects to Audio Source to Send Audio Signal to TX
- 9 HDMI OUT: Connects to HDMI Display
- 10 LAN: Connect to an Active LAN Network up to 100Mbps
- 11 RS-232 3 Pin Connection
- 12 Factory Use Only

#### Typical Application



FEATURES
Extends 3-Pin RS-232 & IR signals
Audio Return Channel (ARC) Function
HDBaseT 2.0 over a single CAT5e/6/7 cable
Supports CEC Bypass
LAN / Ethernet pass-through Port
Supports pass-through of HD audio formats
Transmission Distance: Up to 328ft over CAT6
Rugged Black Powder-Coated Metal Enclosure
CE, FCC Certified
Includes: (2) IR Blasters, (2) Pair Mounting Hardware, (2) RS232 Connectors, (1) 12V/2.5A Power Supply

SPECIFICATIONS	
Compliance	HDMI 2.0, HDCP2.2, HDCP 1.4
Video Bandwidth	18Gbps
HDMI Video Resolutions	up to 4K2K@50/60Hz 4:4:4, 4K2K@30Hz, 1080P@120Hz, 1080P 3D@60Hz
Color Space	RGB, YCbCr 4:4:4, YCbCr 4:2:2 Color Depth: 8-bit, 10-bit, 12-bit
HDMI Audio Formats	LPCM 2/5.1/7.1CH, Dolby Digital, DTS 5.1, Dolby Digital+, Dolby TrueHD, DTS-HD Master Audio, Dolby Atmos, DTS:X
Input Power	AC100-240V 50/60Hz
Power Consumption	11W
Dimensions	6.75 x 3.75 x 0.8 in
Weight	TX: 14.8 oz / RX: 14.99 oz

## SAFETY PRECAUTIONS

- To prevent fire or shock hazard, do not expose this equipment to dust or high humidity. Do not use in an unprotected outdoor installation or in areas classified as overly damp or wet.
- The installation temperature should be kept between 32°F to 140°F (0°C to 60°C). Avoid direct sunlight exposure or extreme changes of temperature over a short period of time.
- Do not place the unit on an unstable base and avoid heavy impact.
- Proper ventilation is required for permanent installation. Do not block or cover enclosure openings as they protect the unit from overheating.
- Prior to cleaning, turn the power off, unplug the unit from all connections. Use a damp cloth. Do not use liquid or aerosol cleaners.
- Do not overload outlets and extension cords as this may result in a risk of fire or electric shock.
- Enclosure entry is dangerous. Never push objects of any kind, including liquids, through openings as they may touch dangerous voltage points or short-out parts that could result in a fire or electric shock.
- Do not open or service this unit yourself as opening or removing covers may expose you to dangerous voltage and other hazards.
- There are no user-serviceable parts inside the unit. If the unit requires service contact your authorized dealer, or authorized repair service company.

## Federal Communications Commission (FCC) Compliance Notices

### Class A Interference Statement

This equipment has been tested and found to comply with the limits for a Class A digital device, pursuant to part 15 of the FCC Rules. These limits are designed to provide reasonable protection against harmful interference when the equipment is operated in a commercial environment. This equipment generates, uses, and can radiate radio frequency energy and, if not installed and used in accordance with the instruction manual, may cause harmful interference to radio communications. Operation of this equipment in a residential area is likely to cause harmful interference in which case the user will be required to correct the interference at his own expense.

### FCC Caution

This device complies with part 15 of the FCC Rules. Operation is subject to the following two conditions: (1) This device may not cause harmful interference, and (2) this device must accept any interference received, including interference that may cause undesired operation.