



Sensing and IoT
1985 Douglas Drive North
Golden Valley, MN 55442
honeywell.com

August 22, 2017

PRODUCT NOTIFICATION

Affected Honeywell Product: MLH Pressure Sensor with DIN 3852-2 Type A Connections
Product Numbers: MLHxxxxxx14x , MLHxxxxxx18x
Affected Date Codes: All date codes.

Attention: Director of Quality

During a recent review of our MLH pressure sensor product line, we learned that MLH pressure sensors with DIN 3852-2 Type A Connections did not meet some of the dimensions called out by DIN 3852-2. The products impacted have been noted above and drawings indicating the dimensional variances from DIN 3852-2 are attached for your reference. These dimensional discrepancies from the DIN 3852-2 could lead to an opportunity for leakage depending on specific customer application conditions and usage; however, Honeywell has not seen any failures in the MLH pressure sensor with these Type A Connections due to this deviation from the DIN standard within at least the 4 years preceding discovery of this issue.

Honeywell is currently working on a new design of the above-referenced MLH pressure sensors so that, *except as otherwise noted on the attached drawings*, they meet the DIN 3852-2 standard. The new design will be compatible with DIN 3852-2 (type X and Y) female connections. With the current design, the MLH shipped with an elastomeric O-ring. Per the DIN 3852-2 standard, the new design will use a bonded washer. The conversion from an O-ring to a washer may require a change to the OEM's female connection. **Honeywell is placing all sales and shipments of the current above-referenced MLH pressure sensors with these DIN 3852-2 Type A Connections on hold until the new design is released or until Honeywell receives a signed Acceptance of Variance from the OEM.**

ACTION REQUIRED

In the interim and in order to assist Honeywell in better understanding the impact of this, we request that you promptly notify us of the following for any end-customer. A form has been provided on page 3.

1. Please provide specific application information in which the sensor is utilized (e.g., the sensor is used to measure vapor pressure in a tank to determine fluid level).
2. Please identify the pressure range, media type and temperature, and environmental temperature in the application.
3. Please identify the issues/risks associated with the sensor's inability to meet DIN 3852-2.
4. Please identify any system redundancies that would prevent a system failure if a failure could be caused by the sensor's variance from DIN 3852-2.

5. If the sensor's variance from DIN 3852-2 is an issue for the end-customer's application, please promptly notify Honeywell of the number of products at issue. In line with standard Honeywell warranty procedures, Honeywell will then cooperate in the return of appropriate product for further action.
6. If the current MLH pressure sensor with G 1/8A or G 1/4A thread is acceptable for continued use in the end-customer's application, despite the variance from DIN 3852-2, please have the end-customer sign and return the attached Acceptance of Variance document (page 4 hereto).

It is important that we obtain this information ASAP.

We apologize for any inconvenience this may cause and are committed to working closely with you in order to resolve any issue as quickly as possible.

Please contact your Honeywell Regional Distribution Manager, Honeywell Sales Representative or Honeywell Sales Application Specialist with any questions.

Best regards,



Valerie Rothermel-Nelson
Sr. Global Product Marketing Manager
Honeywell Sensing & IoT
Valerie.rothermel@honeywell.com
+1 815 266 3143

Enclosures



PRODUCT NOTIFICATION INQUIRY FORM

In order to assist Honeywell in better understanding the impact of this product notification, please complete the items below and return to Honeywell.

PLEASE SCAN AND EMAIL TO: Luis.Rojas2@Honeywell.com

Company Name: _____

Contact Name: _____

Contact Phone Number: _____

Affected Part Number(s): _____

1. Please provide specific application information in which the sensor is utilized (e.g., the sensor is used to measure vapor pressure in a tank to determine fluid level).

2. Please identify the pressure range, media type and temperature, and environmental temperature in the application.

3. Please identify the issues/risks associated with the sensor’s inability to meet DIN 3852-2.

4. Please identify any system redundancies that would prevent a system failure if a failure could be caused by the sensor’s variance from DIN 3852-2.

5. Please check one:

- Conformance to DIN 3852-2 is not an issue for the end-customer’s application. I have attached a signed “Acceptance of Variance” letter and will continue to use the sensors.
- The identified nonconformance to DIN 3852-2 is an issue for the end-customer’s application. The number of products at issue is: _____

Questions, please call Valerie Rothermel-Nelson at +1 815 266 3143.



ACCEPTANCE OF VARIANCE

PLEASE SCAN AND EMAIL TO: Valerie.rothermel@honeywell.com

Affected Honeywell Product: MLH Pressure Sensor with DIN 3852-2 Type A Connections

On or about September 1, 2016, the below identified end-customer received a Honeywell Product Notification stating that Honeywell’s MLH pressure sensors with a G 1/8A or G 1/4A thread did not meet some of the dimensions called out by DIN 3852-2.

The end-customer noted below hereby acknowledges and agrees that the current MLH pressure sensor with G 1/8A or G 1/4A thread, product number identified below, is acceptable for continued use in end-customer’s application, despite the sensor’s nonconformance to DIN 3852-2, and further acknowledges and agrees to the sale and shipment of the product model noted below by Honeywell with full knowledge and acceptance of the variance from DIN 3852-2.

(Please print)

MLH Product Number: _____

End-Customer Company Name: _____

End-Customer Contact Name: _____

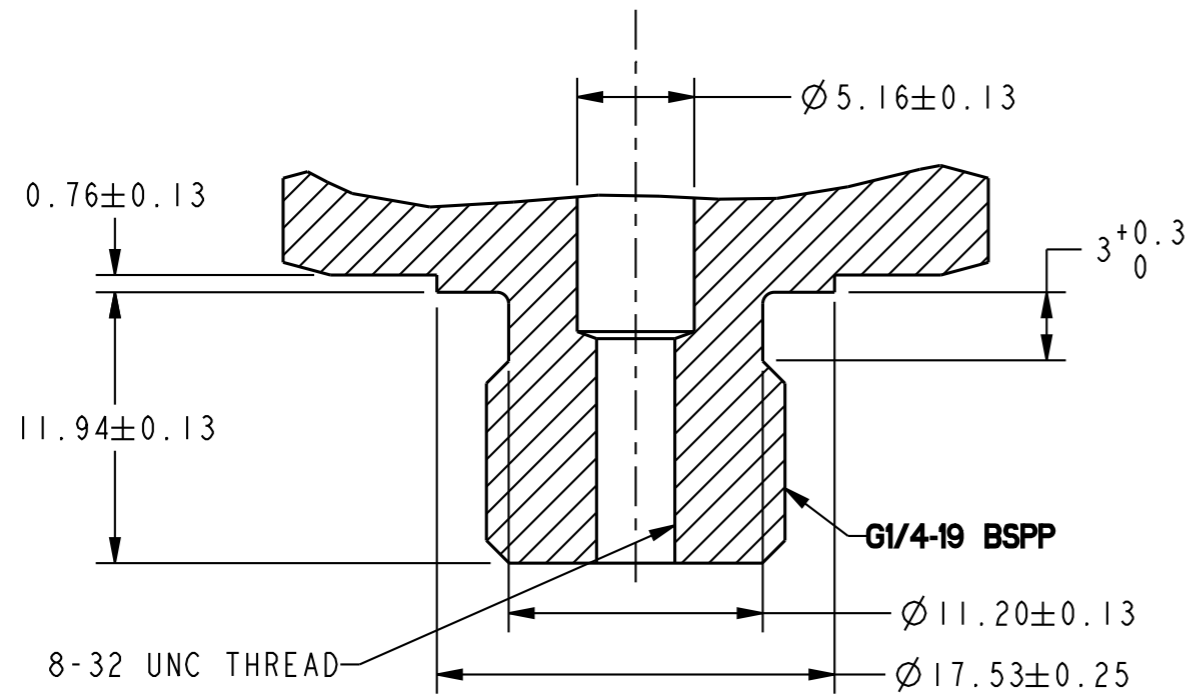
End-Customer Contact Title: _____

End-Customer Signature: _____

Date: _____

Questions, please call Valerie Rothermel-Nelson at +1 815 266 3143.

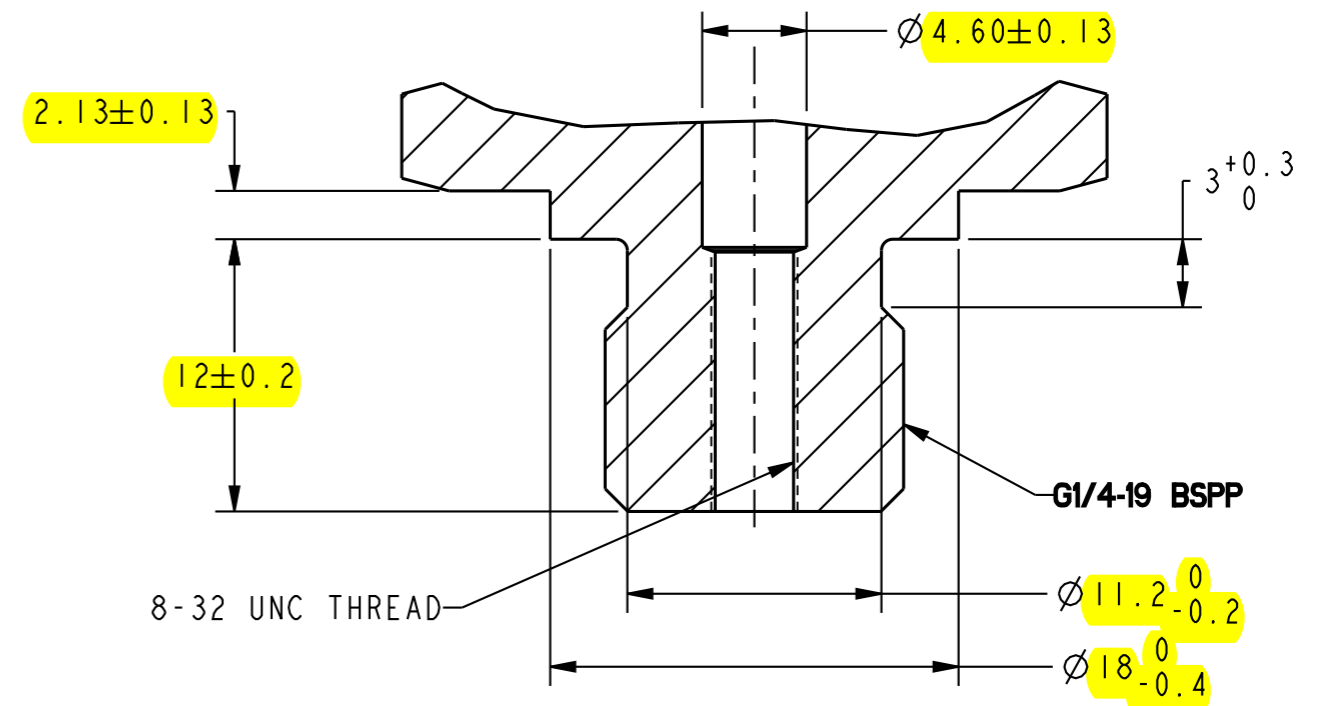
CURRENT DESIGN



NOTES:

- 1 - UNITS: MM UNLESS OTHERWISE SPECIFIED
- 2 - MATERIAL: 304L STAINLESS STEEL
- 3 - SEAL: AS568A-013 O-RING (INCLUDED)

NEW DESIGN



NOTES:

- 1 - UNITS: MM UNLESS OTHERWISE SPECIFIED
- 2 - MATERIAL: 304L STAINLESS STEEL
- 3 - SEAL: G1/4-19 BONDED GASKET
- 4 - STUD END PER DIN 3852-2-A-G1/4, MAY 2014, EXCEPT AS NOTED

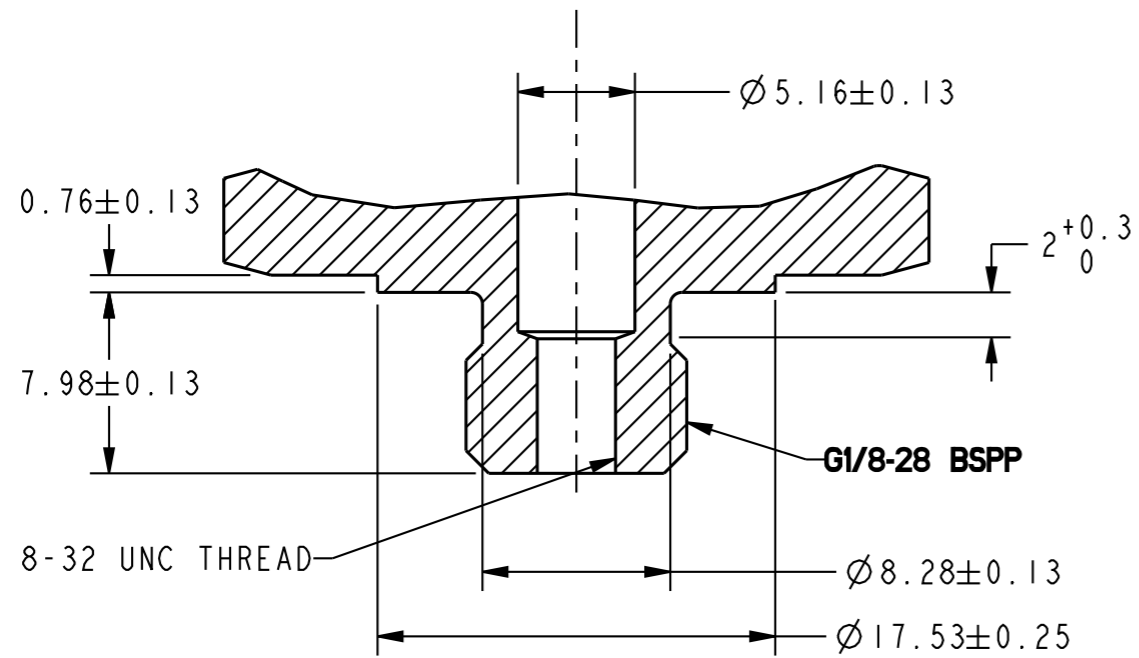
Honeywell

TITLE **MLH SERIES HEAVY DUTY PRESSURE TRANSDUCER
G1/4-19 BSPP THREADS WITH SEALING BY WASHER**

SIZE	CAGE CODE	DWG NO	TYPE	REV
A3	-	-	-	-

SCALE	REF WT:	SHEET
3:1	-	1 of 2

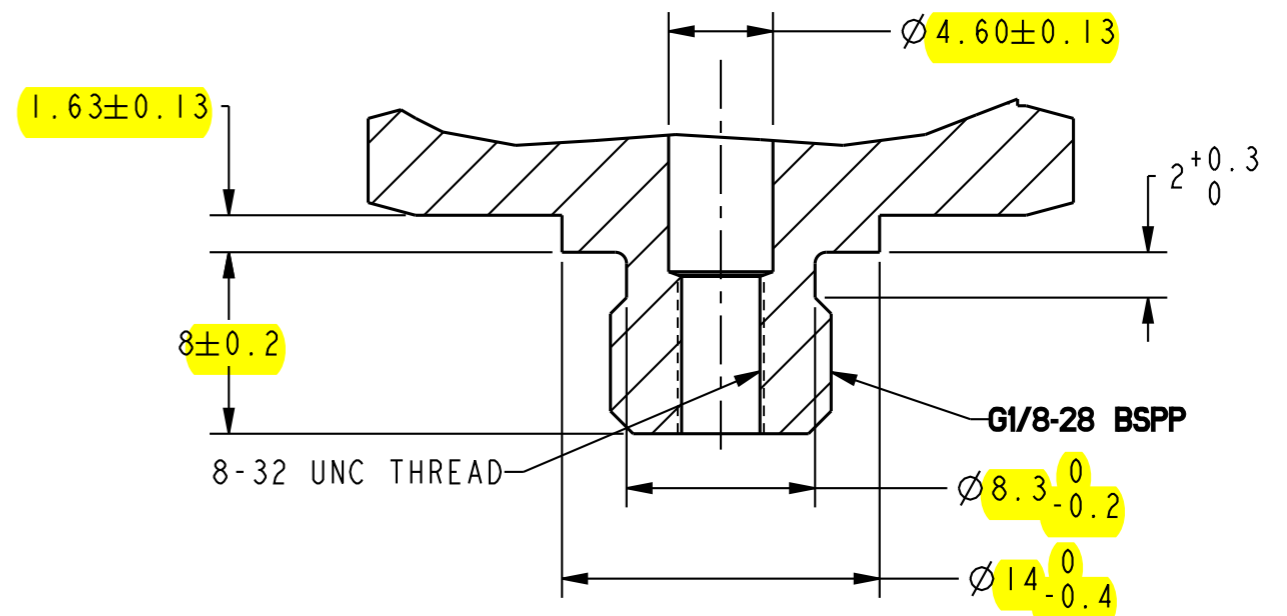
CURRENT DESIGN



NOTES:

- 1 - UNITS: MM UNLESS OTHERWISE SPECIFIED
- 2 - MATERIAL: 304L STAINLESS STEEL
- 3 - SEAL: AS568A-011 O-RING (INCLUDED)

NEW DESIGN



NOTES:

- 1 - UNITS: MM UNLESS OTHERWISE SPECIFIED
- 2 - MATERIAL: 304L STAINLESS STEEL
- 3 - SEAL: G1/8-28 BONDED GASKET
- 4 - STUD END PER DIN 3852-2-A-G1/8, MAY 2014, EXCEPT AS NOTED

Honeywell

TITLE				
MLH SERIES HEAVY DUTY PRESSURE TRANSDUCER G1/8-28 BSPP THREADS WITH SEALING BY WASHER				
SIZE	CAGE CODE	DWG NO	TYPE	REV
A3	-	-	-	-
SCALE	3:1	REF WT:	-	SHEET 2 of 2