

Customer Information Sheet

DRAWING No.: G125-MCXXX05MI-XXXXMI

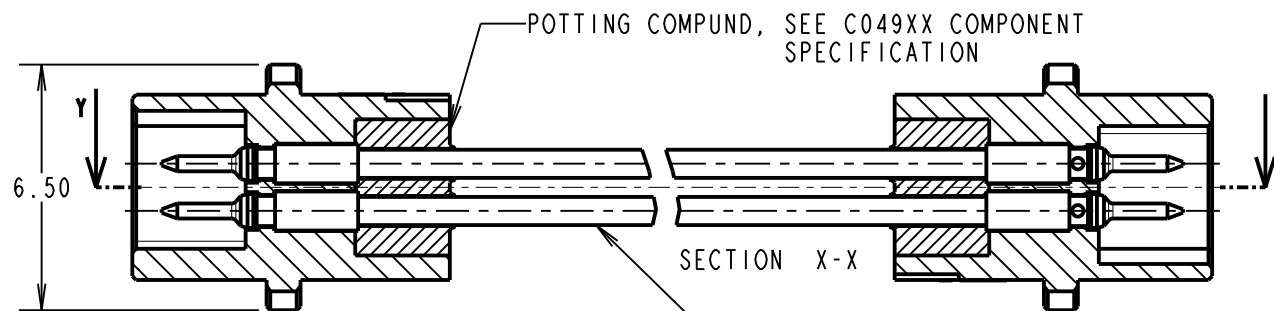
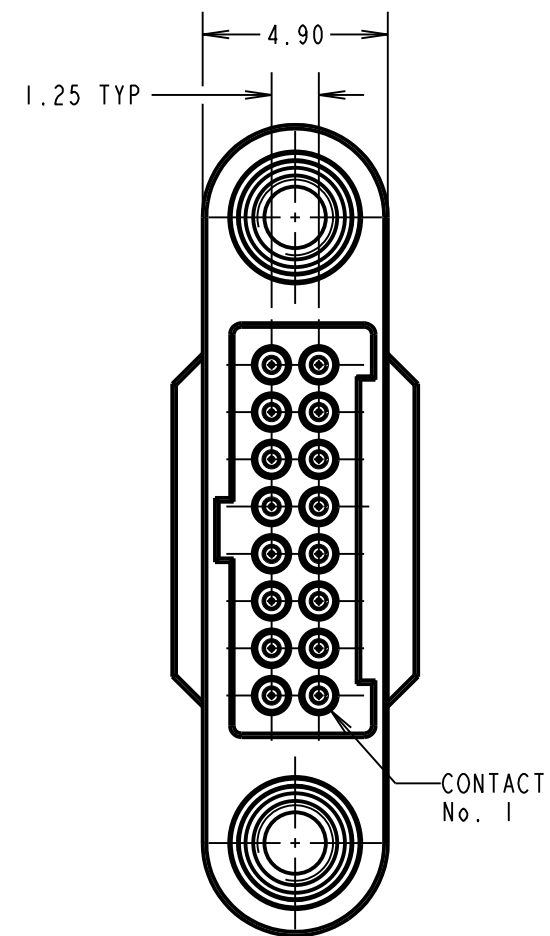
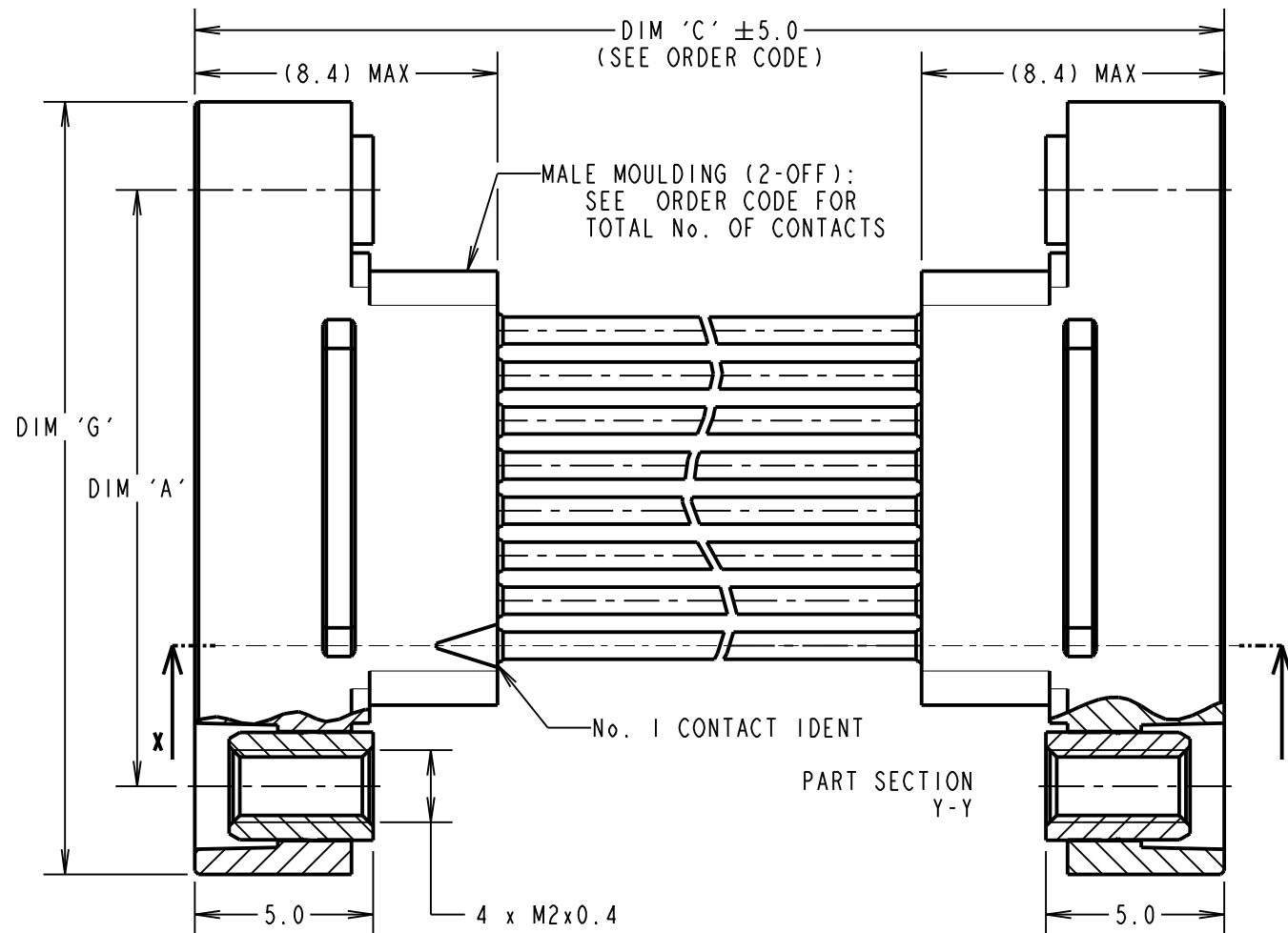
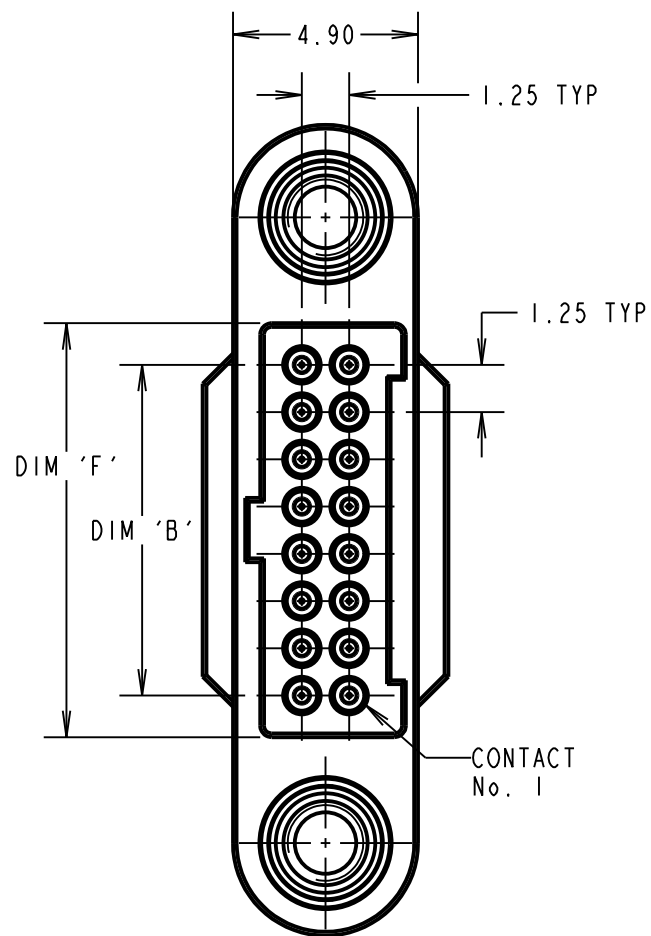
IF IN DOUBT - ASK

©

NOT TO SCALE

THIRD ANGLE PROJECTION

ALL DIMENSIONS IN mm



NOTES:

- CABLE ASSEMBLIES WILL BE BULK PACKED IN BAGS.
- CUSTOM LENGTH CABLE ASSEMBLIES CAN BE PRODUCED FROM 60mm TO 9999mm.
- FOR COMPLETE SPECIFICATION SEE COMPONENT SPECIFICATIONS C049XX AND C125XX (LATEST ISSUES).
- WIRING OF CONNECTOR:
CONTACT 1 TO CONTACT 1,
CONTACT 2 TO CONTACT 2, ETC.

WHITE PTFE WIRE:
SEE C049XX COMPONENT SPECIFICATION FOR WIRE TYPE
SEE ORDER CODE FOR GAUGE

ORDER CODE:

G125-MCXXX05MI-XXXXMI

26 AWG = 1
28 AWG = 2

DIM 'C' LENGTH:
0060 = 60mm MIN
9999 = 9999mm MAX

TOTAL No. OF CONTACTS:
06, 10, 12, 16,
20, 26, 34, 50

DIMENSION	MEASUREMENT
DIM 'A'	(TOTAL No. OF CONTACTS - 2) x 0.625 + 7.80
DIM 'B'	(TOTAL No. OF CONTACTS - 2) x 0.625 ± 0.20
DIM 'F'	(TOTAL No. OF CONTACTS - 2) x 0.625 + 2.00
DIM 'G'	(TOTAL No. OF CONTACTS - 2) x 0.625 + 12.7

EXAMPLE PART No.

12 CONTACT CONNECTORS WITH 150mm OF 26AWG WIRE =
G125-MC11205MI-0150MI
50 CONTACT CONNECTORS WITH 450mm OF 28AWG WIRE =
G125-MC25005MI-0450MI

RTP	4	23.03.21	30101
NAME	ISS.	DATE	CN/CO
APPROVED: R.PORTLOCK			
CHECKED: R.ALEXANDER			
DRAWN: M.PERREN			
CUSTOMER REF.:			
ASSEMBLY DRG:			



www.harwin.com
technical@harwin.com

THIS DRAWING AND ANY INFORMATION OR DESCRIPTIVE MATTER SET OUT HEREON ARE CONFIDENTIAL AND COPYRIGHT PROPERTY OF THE HARWIN GROUP AND MUST NOT BE DISCLOSED, LOANED, COPIED OR USED FOR MANUFACTURING, TENDERING OR FOR ANY OTHER PURPOSE WITHOUT THEIR WRITTEN PERMISSION.

TOLERANCES

X. = ±1mm
X.X = ±0.50mm
X.XX = ±0.20mm
X.XXX = ±0.01mm
ANGLES = ±5°
UNLESS STATED

MATERIAL:

SEE ABOVE

FINISH: SEE ABOVE

S/AREA:

mm²

TITLE:

GECKO SL MALE TO MALE CABLE ASSEMBLY

DRAWING NUMBER:

G125-MCXXX05MI-XXXXMI

SHT
3 OF 3