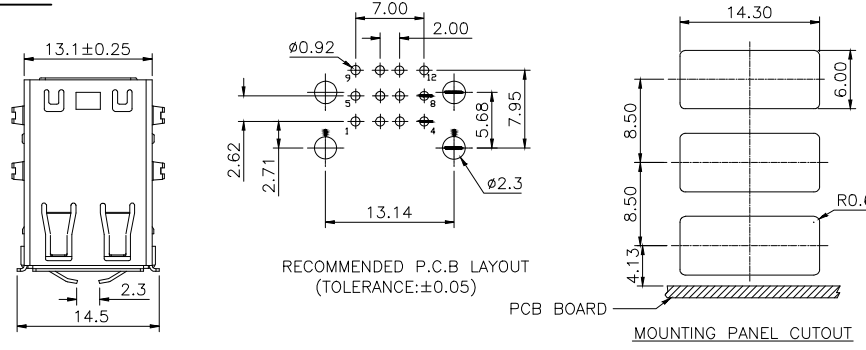
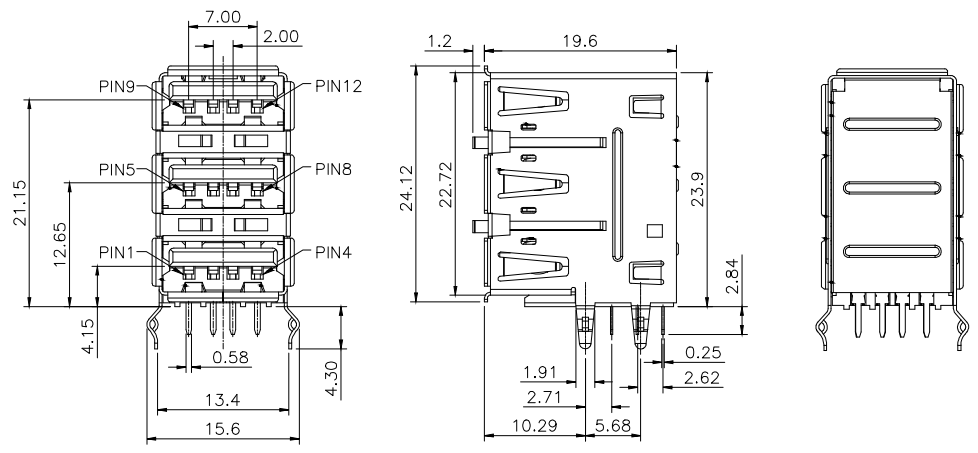


② **USB2.0 COMPLIANT**



- NOTES:
- MATERIAL:
 - HOUSING: PA6T+30%G.F UL94V-0, BLACK COLOR.
 - CONTACT: BRASS
 - SHELL: PHOSPHOR BRONZE OR SK7
 - ISOLATED: PHOSPHOR BRONZE OR SK7
 - REAR SHELL: SPCC
 - FINISH:
 - CONTACT:
 - CONTACT AREA: GOLD PLATED 5u"
 - SOLDER AREA: 100u" MIN TIN PLATED
 - UNDER PLATE: 50u" MIN NI PLATED
 - SHELL: 100u" MIN TIN PLATING ON SOLDER TAILS
50u" MIN NI UNDERPLATING OVERALL
 - MECHANICAL:
 - MATING FORCE: 3.57kgf MAX.
 - UNMATING FORCE: 1.02kgf MIN
 - DURABILITY: 1500 CYCLES MIN
 - ELECTRICAL:
 - CURRENT RATING: 0.5A. MAX
 - VOLTAGE: 30V AC
 - DIELECTRIC WITHSTANDING VOLTAGE: 750V AC AT SEE LEVEL
 - CONTACT RESISTANCE: 30mΩ MAX.
 - INSULATION RESISTANCE: 1000MΩ MIN
 - OPERATING TEMPERATURE: -55°C TO +85°C.



RoHS compliant
unit:mm

Scale	FREE					Date	Name	Customer-No.
TOLERANCE					Drawn	31.05.2012	Lucas	
X.X	±0.30				Approved	01.11.2013	Ray	ASSMANN WSW-No.
X.XX	±0.20							A-USB A-3P
X.XXX	±0.10	②	Update	24.07.2019	Xavier			Drawing-No.
DIM	TOL	①	Plant change	01.11.2013	Ray			ASS 4792 CO
X.°	±5°	①	Drawn	31.05.2012	Lucas			rev02
Angle	TOL	①	Id.	Modification	Date	Name		Sheet 1 of 1

