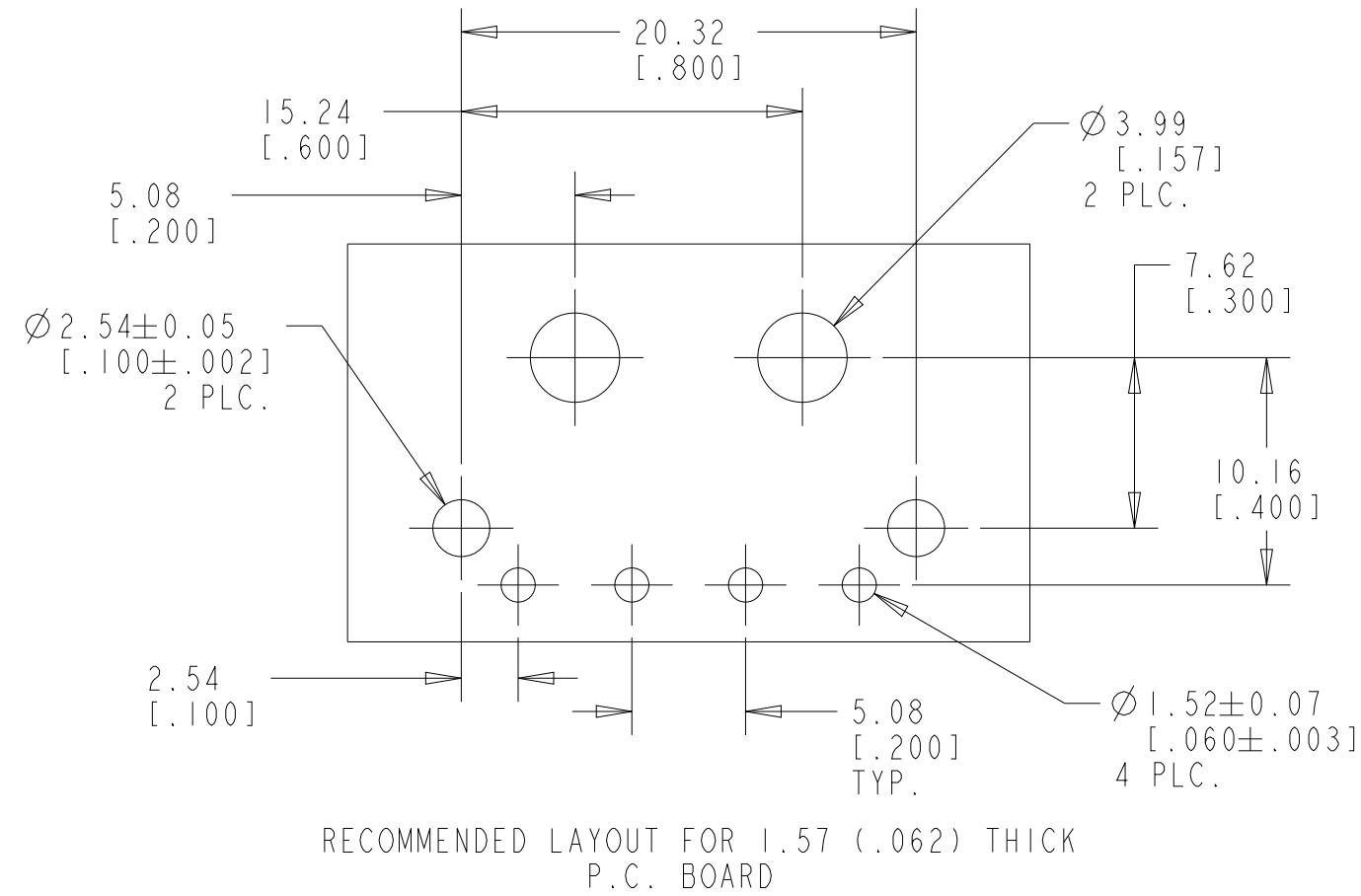
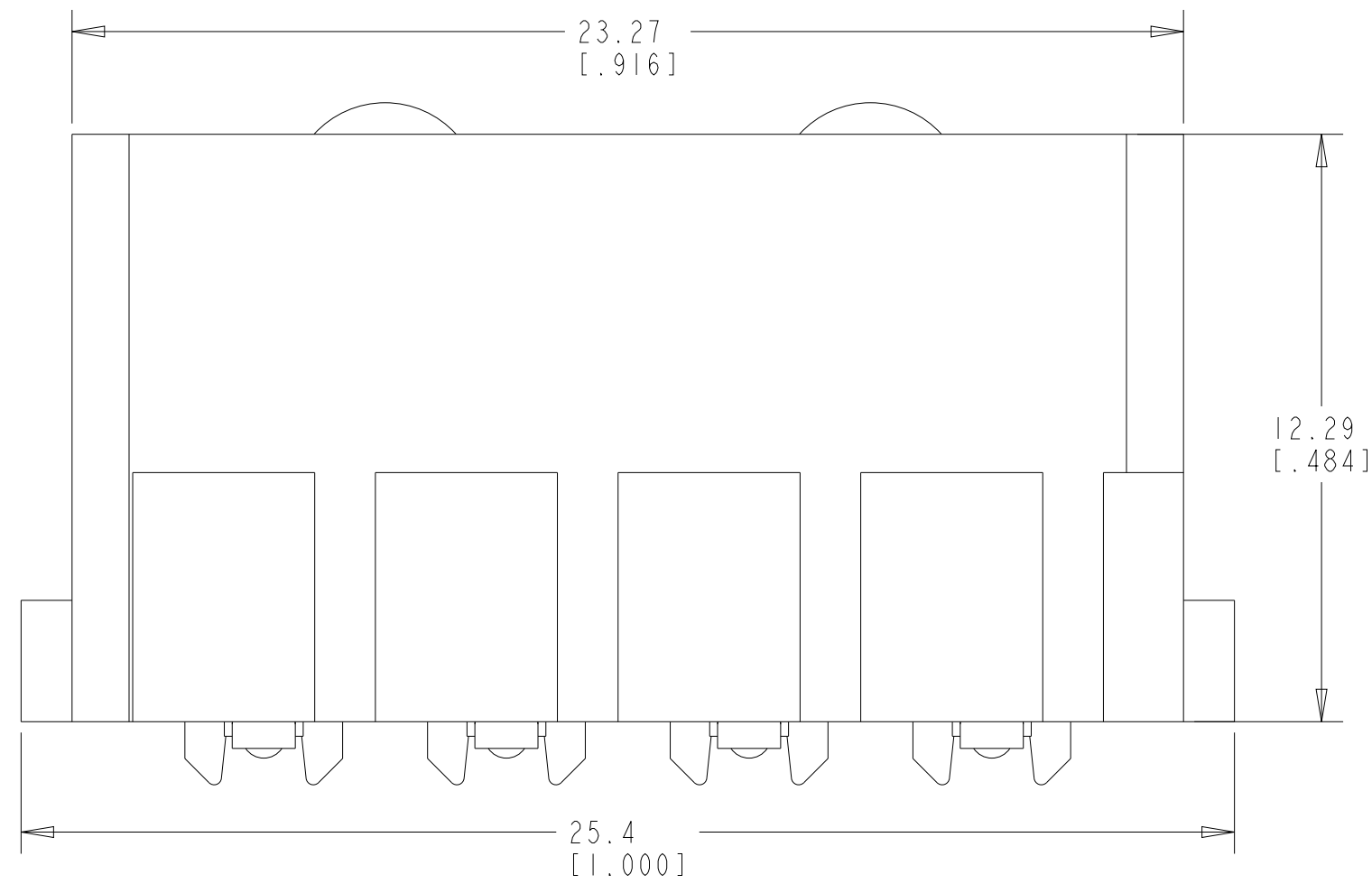
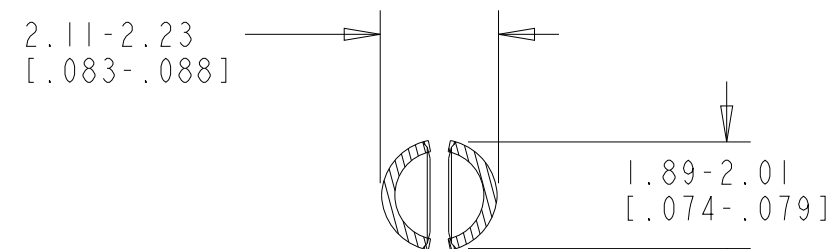
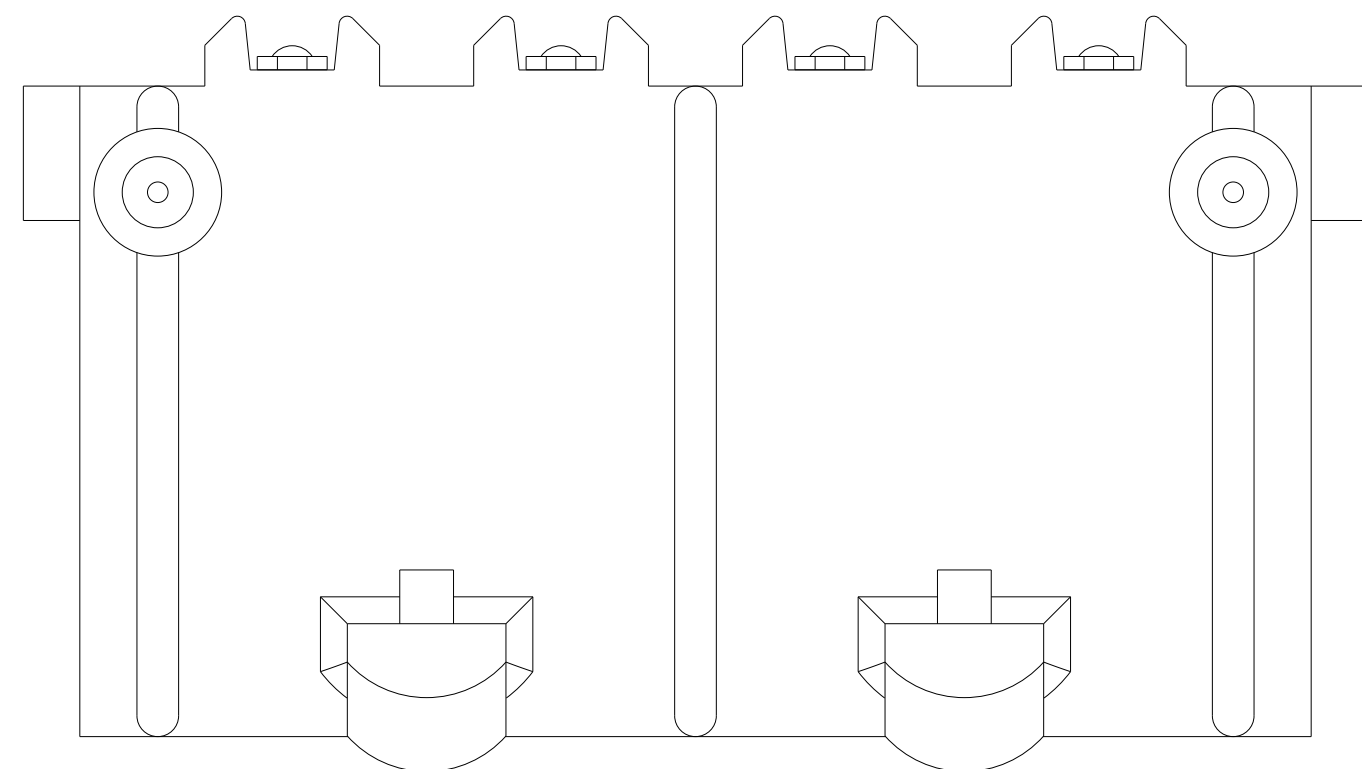
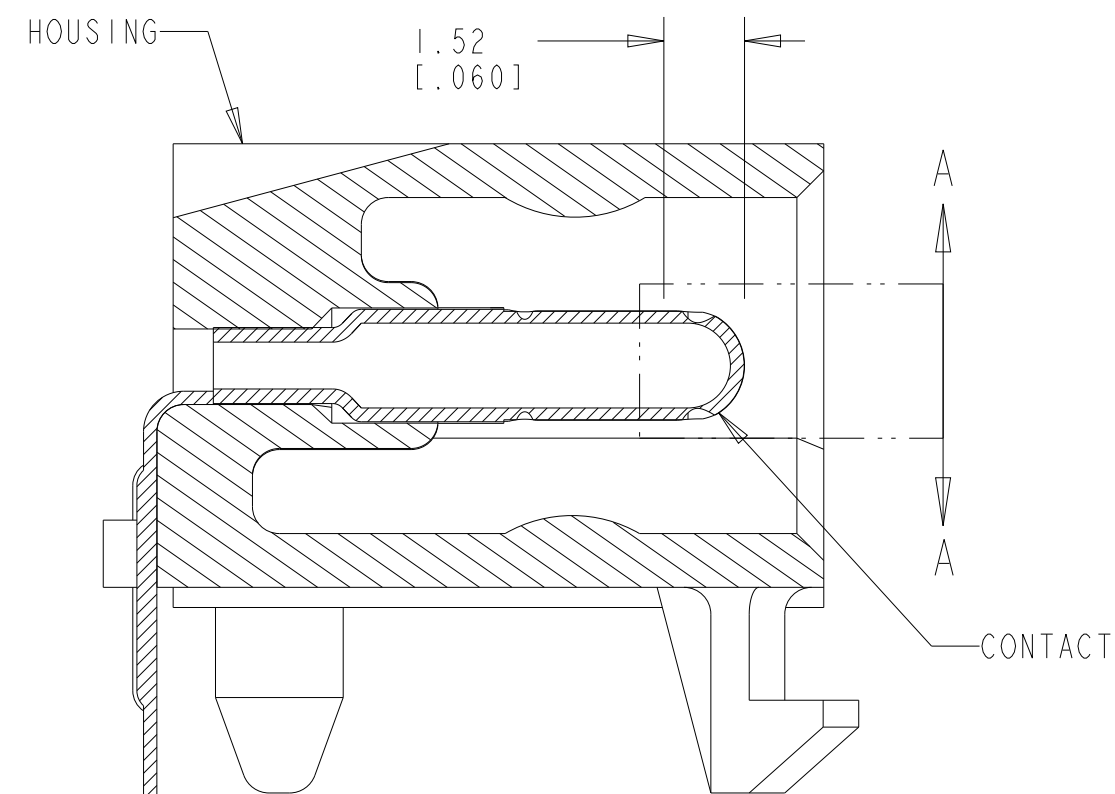
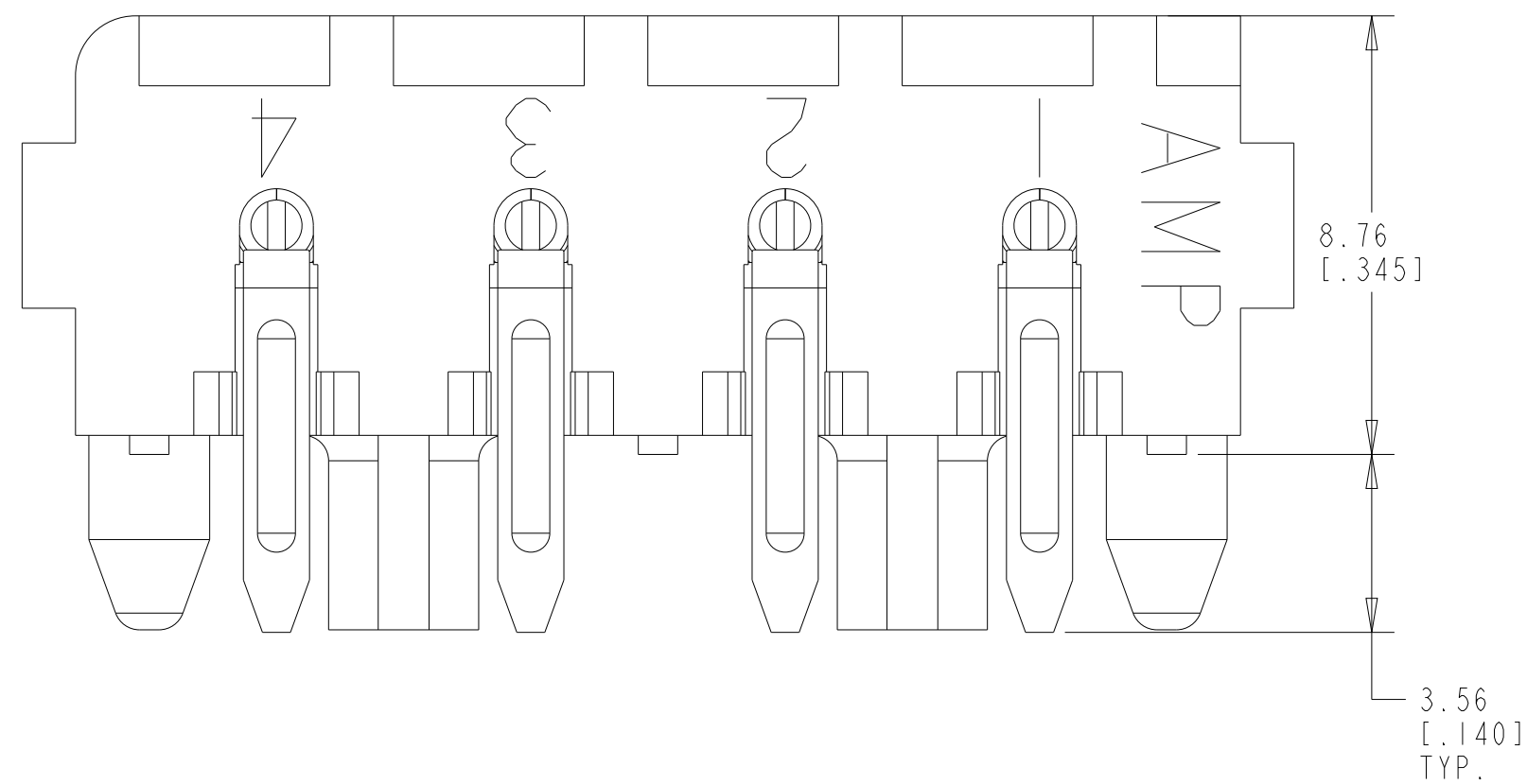


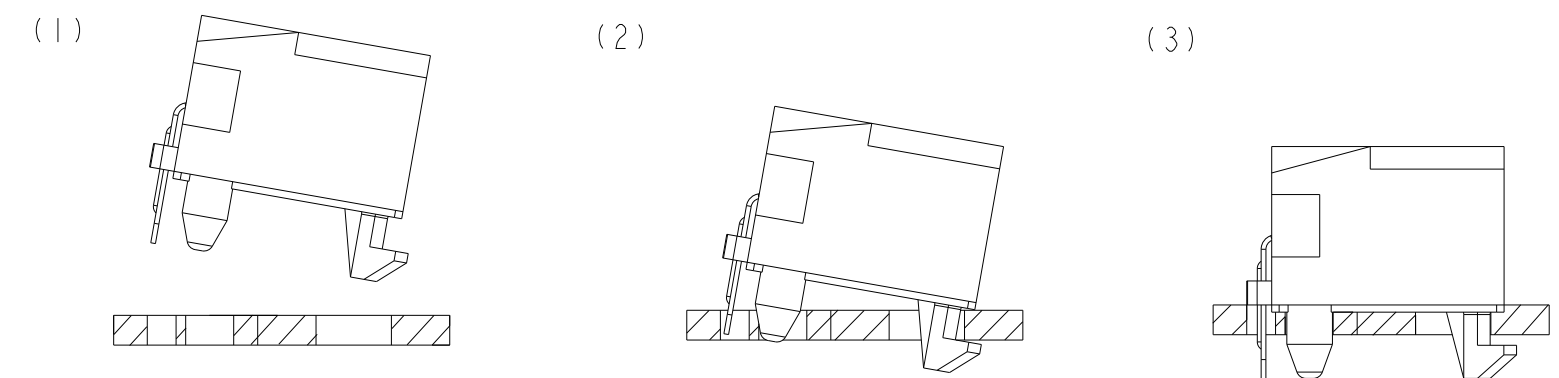
P	LTR	DESCRIPTION	DATE	DWN	APVD
B		REV PER ECO GIB-0228-98	03APR1999	JH	RS
B1		REVISED PER ECR-21-112151	31AUG2021	SS	VS
B2		REVISED PER ECR-21-117185	25OCT2021	PJ	VS



- PARTS COMPLY WITH AMP SOLDERIBILITY SPEC. 109-11-3
- RECOMMENDED EXPOSURE TO SOLDER WAVE (509°F) NOT TO EXCEED 5 SECONDS
- MATERIAL: HOUSING-NYLON, UL94V-2 BLACK CONTACT-PH BZ (PRE-TIN)
- DIMENSIONS IN BRACKETS ARE IN INCHES
- PART IS SURFACE MOUNT COMPATIBLE
- DIMENSION SHOWN REPRESENT PRODUCT IN DRY CONDITION. ADDITIONAL 2% GROWTH DUE TO END USE LOCATION MOISTURE ABSORPTION MAY OCCUR AND SHOULD BE ACCOUNTED FOR.



MOUNTING PRECEDURE NTS



770846-1
PART NO.

THIS DRAWING IS A CONTROLLED DOCUMENT.		DWN R. COLLINS 11APR1991	TE Connectivity	
DIMENSIONS: in		CHK R. SWING 19APR1991		
TOLERANCES UNLESS OTHERWISE SPECIFIED:		APVD G. BROWN 19APR1991	NAME P.C. HEADER, RIGHT ANGLE MOUNT, COMMERCIAL MATE-N-LOCK, 4 CIRCUIT	
0 PLC ±		PRODUCT SPEC	SIZE A2	
1 PLC ±		APPLICATION SPEC	CAGE CODE 00779	
2 PLC ±			DRAWING NO G-770846	
3 PLC ±0.005			RESTRICTED TO	
4 PLC ±			SCALE 7:1	
ANGLES ±			SHEET 1 OF 1	
FINISH			REV B2	
MATERIAL 3			CUSTOMER DRAWING	