

**Style**  
M12 Socket, shielded  
5 pin  
A-coding

**Ratings**  
Voltage: 60 V  
Current: 4 A

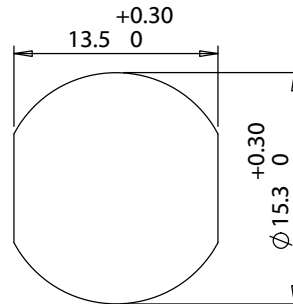
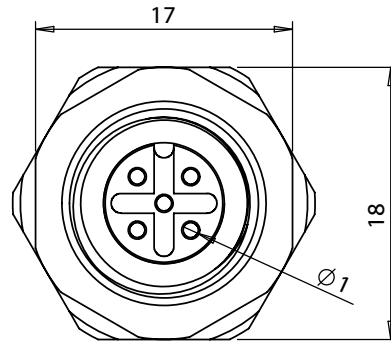
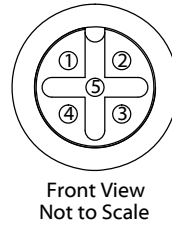
**Operating Temperature Range**  
-40~105 °C

**Materials**  
① Insulator: Polyamide 66 (PA66), UL94 HB, black  
② Pin: C5191 phosphor bronze, gold plated  
③ Shell: C3604 brass, nickel plated  
④ Nut: C3604 brass, nickel plated  
⑤ O-ring: Nitrile rubber, green/black

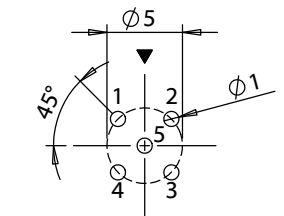
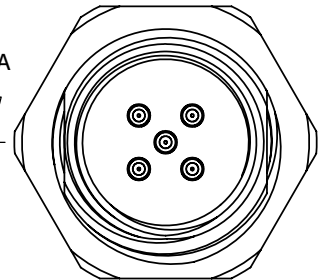
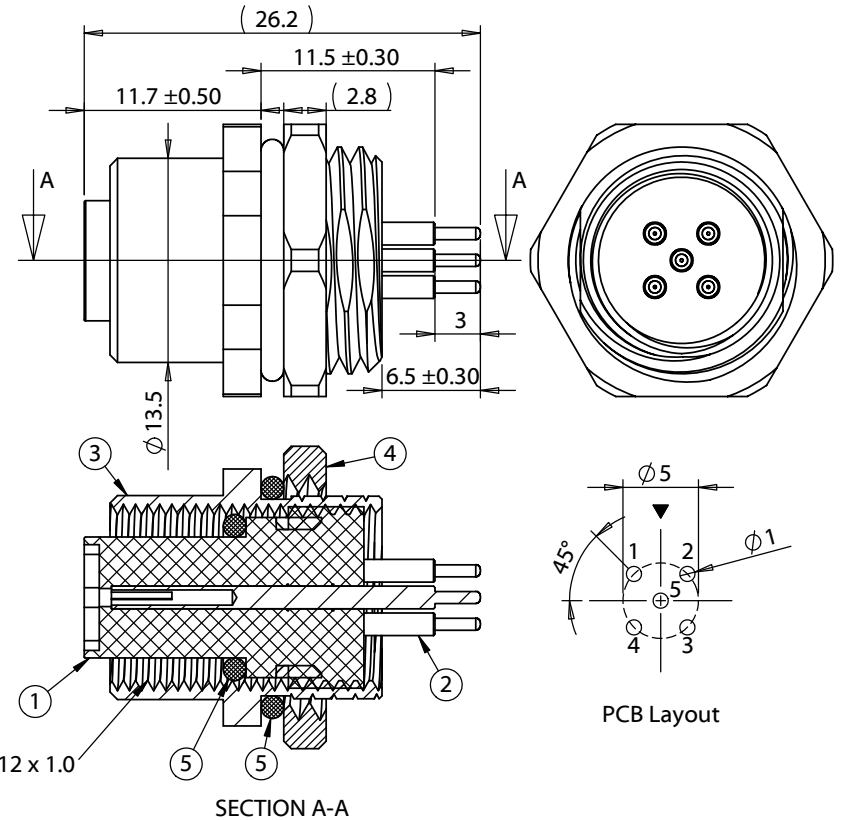
**Electrical Requirements**  
Dielectric strength: 1 min @ 500 Vac  
Insulation resistance: 100 MΩ @ 500 Vdc  
Contact resistance: 10 mΩ or less

**Mechanical Requirements**  
Life cycle: 500 mating cycles minimum

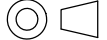
**Environmental Requirements**  
Salt spray test: 35 °C, relative humidity 90-95%, 5% NaCl mist for 48 hrs. Wash parts after test. Maintain mechanical requirements and a contact resistance of less than 10 mΩ.  
Waterproof: IP67



Panel cutout (PG9)  
Panel thickness (3.5mm max.)



PCB Layout

Revision:	Date:	Description:	Prepared:	Notes:	<b>TENSILITY</b> tel 1.541.323.3228 800 877.670.7118 fax 1.541.323.4202 web tensility.com
A	10/5/2020	Initial release	Verified:	RoHS compliant Function test: no open, no short circuit, no intermittent	
			Dimensions are in millimeters. Tolerances: X: ± 0.3 mm X.X: ± 0.1 mm X.XX: ± 0.05 mm	Description: Connector, 5 pin M12 A-code socket, 12xL26.2, gold plated, panel mount, PCB, IP67	Size: Part number: A 54-00203
					Scale: 2:1  Sheet 1 of 1