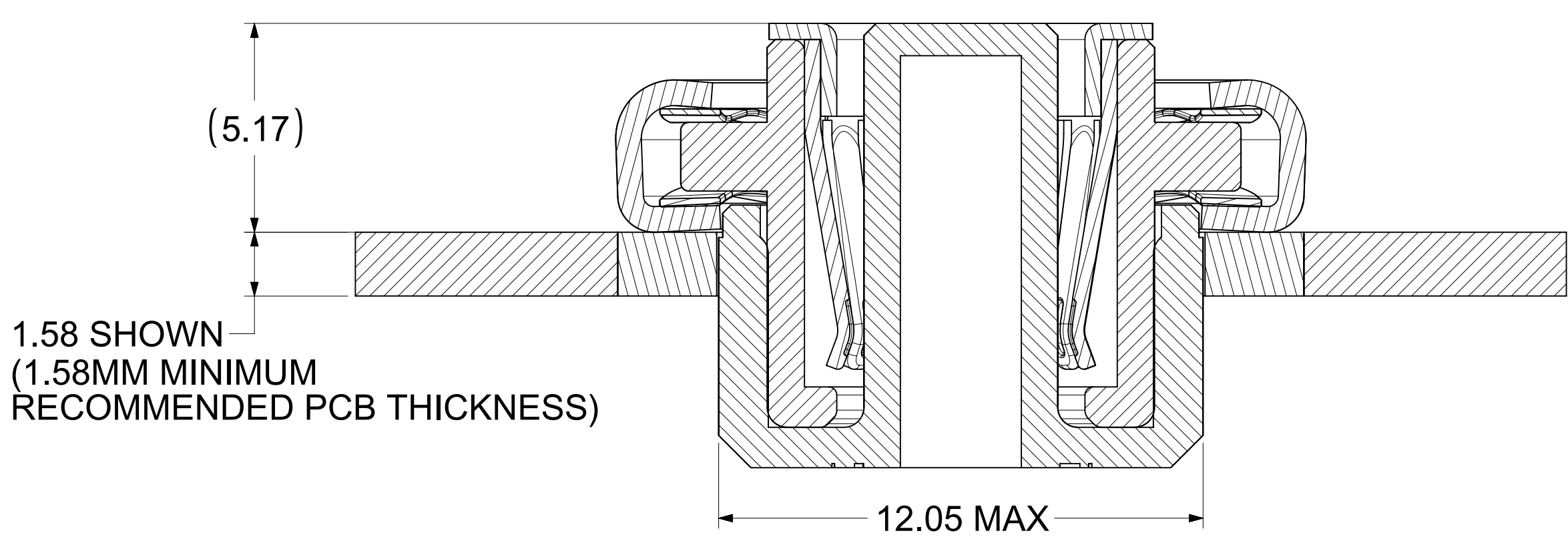
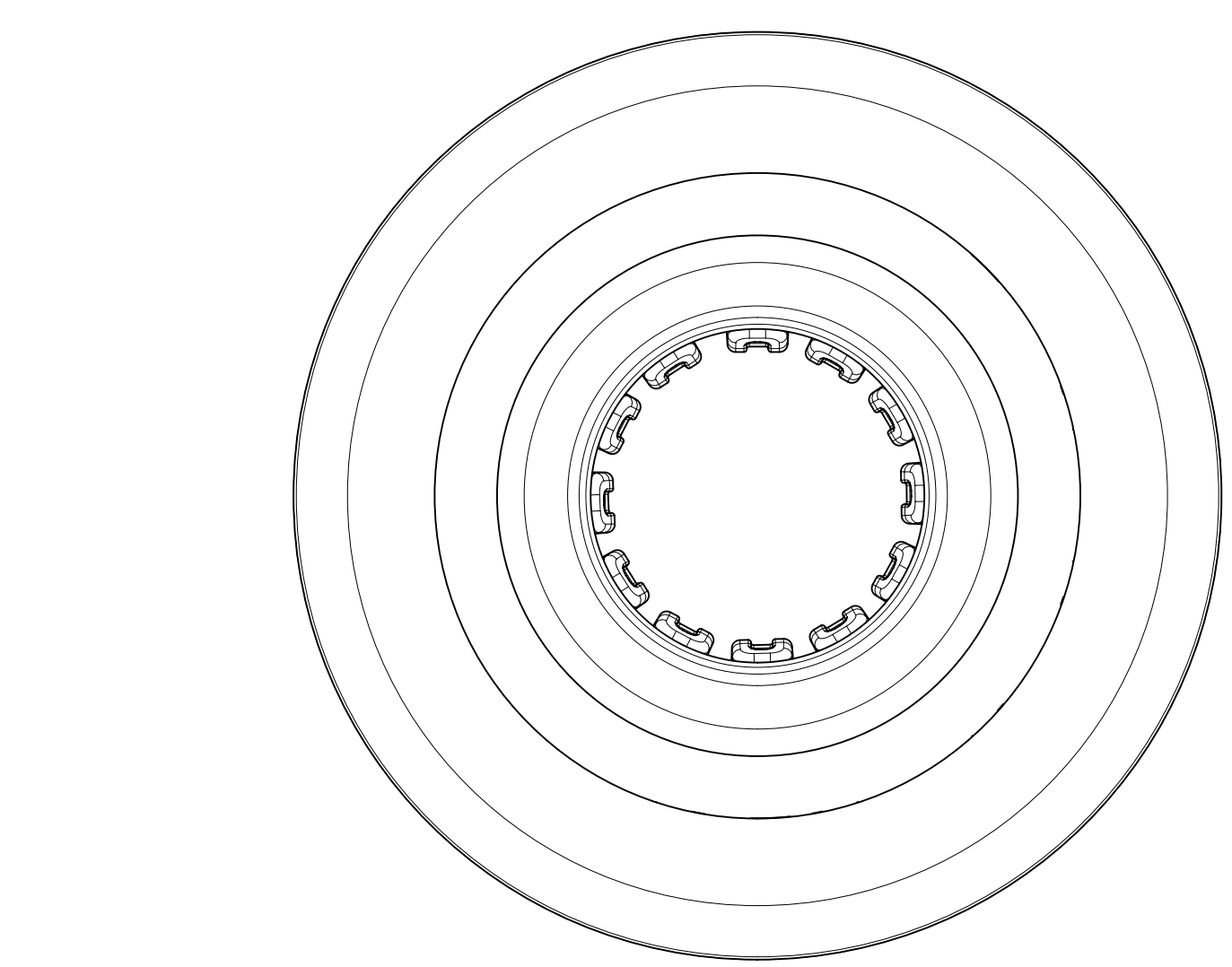


MATING PROFILE



SECTION A-A

- NOTES:
- MATERIALS:
RETENTION CAP: STAINLESS STEEL
PICK AND PLACE CAP: LCP UL94, V-0 COLOR BLACK
BASE METAL: HIGH CONDUCTIVE COPPER ALLOY
PLATING ON CONTACTS: 0.75 MICRON MIN GOLD OVER 1.27 MICRON MIN NICKEL
PLATING ON BODY: 3.18 MICRON MIN SILVER OVER 1.27 MICRON MIN NICKEL
 - MATES WITH STANDARD PIN DRAWINGS (MATING DISTANCE BASED ON 1.58MM BOARD THICKNESS):
i. 6.0MM SMT DRAWING 2032630136-SD, MIN. MATING DISTANCE 6.00MM
ii. 6.0MM PRESS FIT DRAWING 2032630006-SD, MIN. MATING DISTANCE 5.75MM
iii. 6.0MM SCREW MOUNT DRAWING 2032636185-SD, MIN. MATING DISTANCE 8.80MM
 - PRODUCT SPECIFICATION: 2043130006-PS
 - APPLICATION SPECIFICATION: 2043130006-AS
SEE APPLICATION SPEC FOR SOLDERING INFORMATION.
 - PACKAGING SPECIFICATION: 2121950006-PK
 - SILVER COMPONENTS WILL BE SUPPLIED TARNISH FREE BUT MAY TARNISH OVER TIME.
 - PICK AND PLACE CAP TO BE REMOVED AFTER SOLDERING. CAP TO BE PUSHED OUT OF BOTTOM FROM THE TOP.
 - DATE CODE TO BE LASER MARKED APPROXIMATELY WHERE SHOWN USING DDYY FORMAT

THIS DRAWING CONTAINS INFORMATION THAT IS PROPRIETARY TO MOLEX ELECTRONIC TECHNOLOGIES, LLC AND SHOULD NOT BE USED WITHOUT WRITTEN PERMISSION											
DIMENSION UNITS		SCALE		CURRENT REV DESC: UPDATED THE TITLE BLOCK							
mm		NTS									
GENERAL TOLERANCES (UNLESS SPECIFIED)											
ANGULAR TOL ± 0.5°											
4 PLACES		±		EC NO: 730607							
3 PLACES		±		DRWN: SOURAJ		2022/11/30					
2 PLACES		± 0.15		CHK'D: GSHARMA		2022/12/08					
1 PLACE		± 0.25		APPR: HTHYAGARAJ		2022/12/14					
0 PLACES		±		INITIAL REVISION:							
				DRWN: RLOW		2020/01/28					
				APPR: BPISZCZOR		2020/06/10					
DRAFT WHERE APPLICABLE MUST REMAIN WITHIN DIMENSIONS			THIRD ANGLE PROJECTION		DRAWING		SERIES		MATERIAL NUMBER		
					D-SIZE		212195		2121950026		
				CUSTOMER		GENERAL MARKET		SHEET NUMBER		1 OF 1	

molex

6.0MM CENTRALITY BOTTOM ENTRY SMT SOCKET WITH FLOAT IN T&R

PRODUCT CUSTOMER DRAWING

DOCUMENT NUMBER: 2121950026-SD
DOC TYPE: PSD
DOC PART: 000
REVISION: C2