

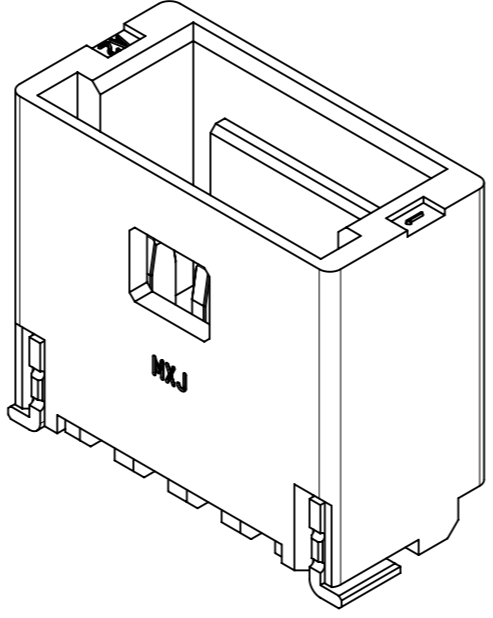
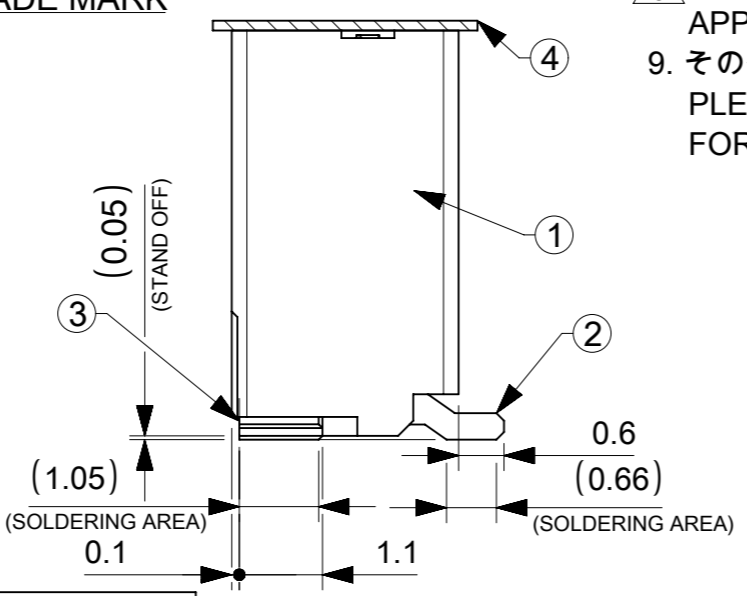
NOTES

- 本製品は極数によって、ロック形状が変わりますので御注意願います。
THE LOCK SHAPE OF THIS PRODUCT CHANGES ACCORDING TO THE NUMBER OF CIRCUIT.
2~5 CIRCUITS : フリクションロック FRICTION LOCK
6~15 CIRCUITS : インナーポジティブロック INNER POSITIVE LOCK
- 材料及び仕上げ(めっき仕様) : TABLE 1,2 参照
MATERIAL AND FINISHES : SEE TABLE 1 AND 2
- 製品仕様書 : 5013300001-PS 000
PRODUCT SPECIFICATION:
- 梱包形態 : SEE SHEET 4
PACKAGING INFORMATION:
- 嵌合相手 : 501330 シリーズ
MATES WITH:501330 SERIES
- アプリケーション仕様書(コネクタ取扱い説明書) : 5013300000-AS A00(JAPANESE)/-A01(ENGLISH)
APPLICATION SPECIFICATION(CONNECTOR MANUAL):
- 溶剤ピン及びネイルの平坦度:0.1 MAX.
SOLDER PIN AND NAIL COPLANARITY: 0.1 MAX.
- 偶数極に適用
APPLY FOR EVEN CIRCUIT
- その他金めっき厚品及び錫めっき品は以下の図面を御参照下さい。
PLEASE REFER TO THE FOLLOWING DRAWING FOR OTHER GOLD PLATING VERSION AND TIN PLATING VERSION.

| PLATING | PLATING THICKNESS [micro-meter MIN.] | SERIES No. | DRAWING No. |
|---------|--------------------------------------|------------|-----------------------|
| TIN | 1.0 | 501331 | 5013310000-SD PSD 000 |
| GOLD | 0.1 | 504449 | 5044490000-SD PSD 000 |
| | 0.38 | 203556 | 2035560000-SD PSD 000 |

TABLE 1

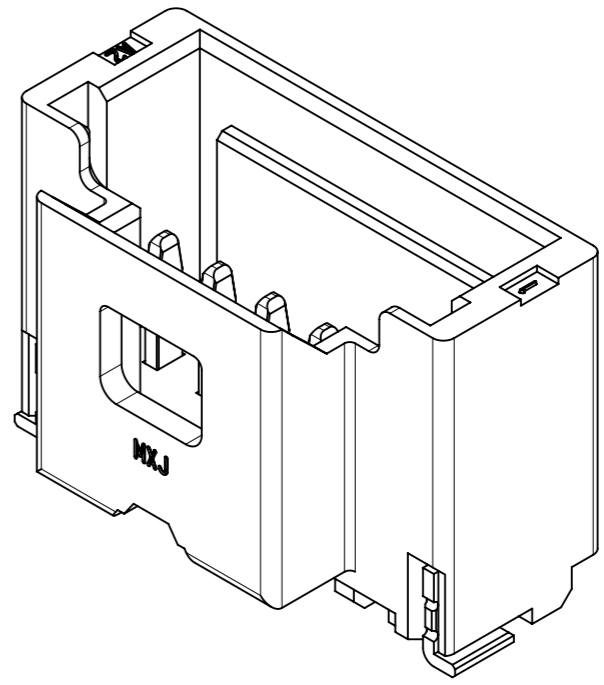
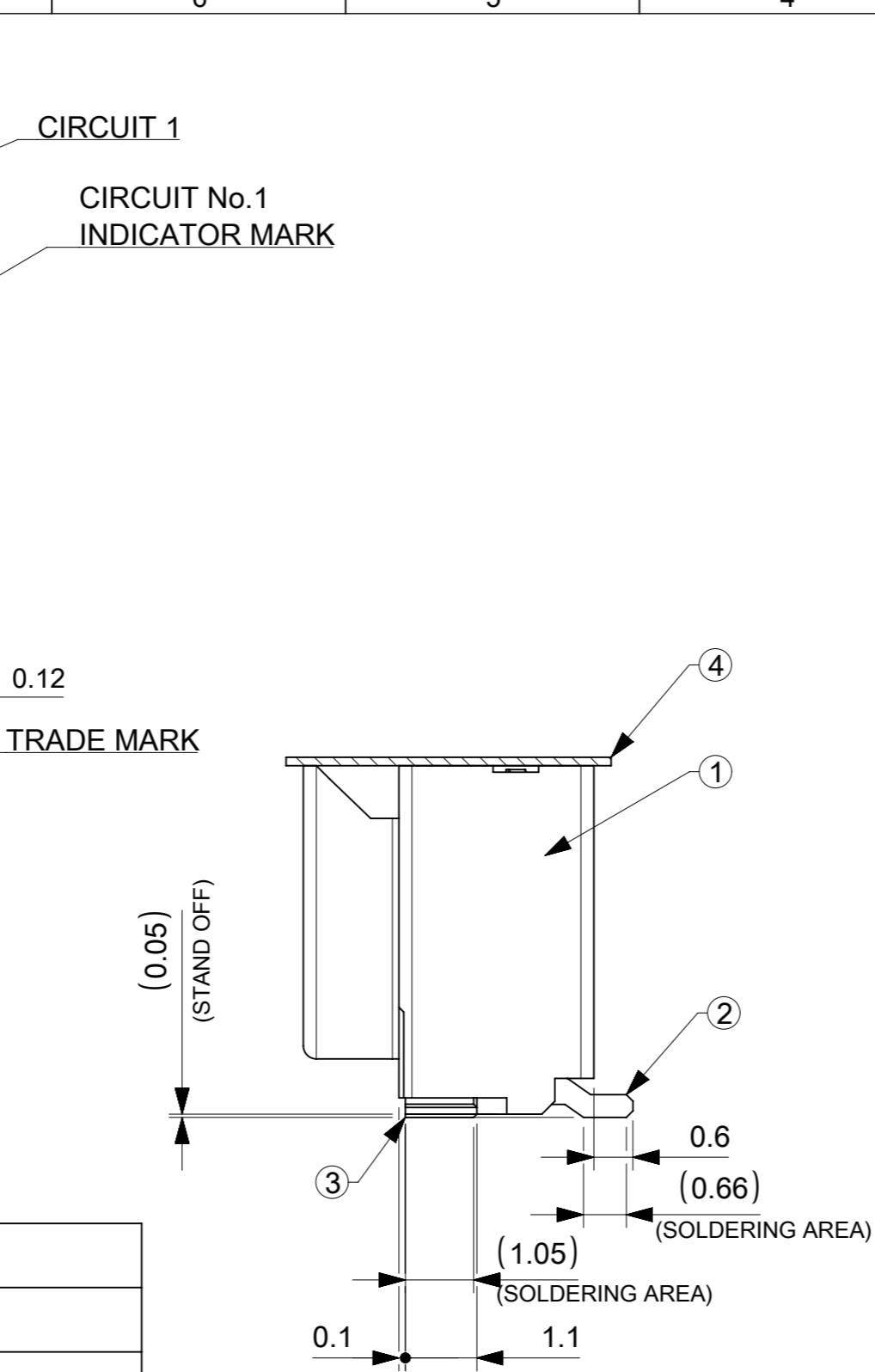
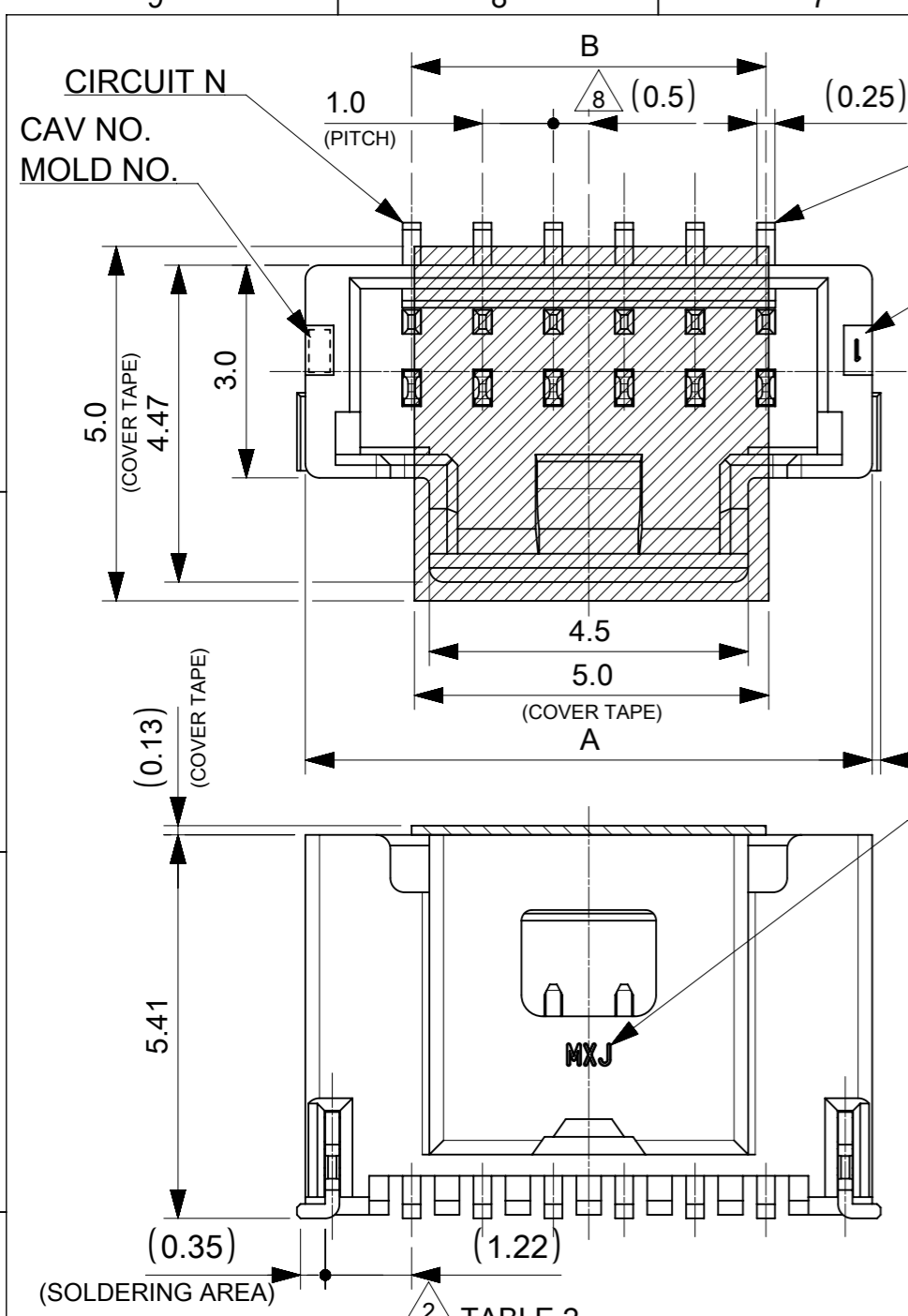
| 番号 NO. | 部品 PART | 材質 MATERIAL |
|--------|-------------------|--|
| ① | ウエハー WAFER | ポリアミド(PA), UL94V-0, 色 : SEE SHEET 6 POLYAMIDE(PA), UL94V-0, COLOR : SEE SHEET 6 |
| ② | 溶剤ピン SOLDER PIN | リン青銅 PHOSPHOR BRONZE |
| | | 接点部 CONTACT AREA 金めっき : 0.76 MICRO-METER MIN. GOLD PLATING |
| | | テール部 TAIL AREA 金めっき : 0.1 MICRO-METER MIN. GOLD PLATING |
| ③ | ネイル NAIL | リン青銅 PHOSPHOR BRONZE |
| | | テール部 TAIL AREA 錫めっき : 1.0 MICRO-METER MIN. MATTE TIN PLATING |
| | | 下地めっき UNDER PLATING ニッケルめっき : 1.0 MICRO-METER MIN. NICKEL |
| ④ | カバーテープ COVER TAPE | ポリイミドテープ POLYIMIDE TAPE |



| | | |
|-----|-----|--------------------|
| 4.0 | 7.0 | 5 |
| 3.0 | 6.0 | 4 |
| 2.0 | 5.0 | 3 |
| 1.0 | 4.0 | 2 |
| B | A | 極数 CIRCUIT SIZE |

THIS DRAWING CONTAINS INFORMATION THAT IS PROPRIETARY TO MOLEX ELECTRONIC TECHNOLOGIES, LLC AND SHOULD NOT BE USED WITHOUT WRITTEN PERMISSION

| | | | | | | |
|--|-------|-----------------------------|---------|---|-----------------|--------------|
| DIMENSION UNITS | SCALE | CURRENT REV DESC: | | molex | | |
| mm | NTS | | | | | |
| GENERAL TOLERANCES (UNLESS SPECIFIED) | | EC NO: 614886 | | PICO-CLASP 1.0 W/B | | |
| ANGULAR TOL ± 3.0° | | DRWN: AISHIKAWA 2019/04/02 | | SINGLE ROW VT SMT INNER LOCK GOLD PLATING | | |
| 4 PLACES ± 0.2 | | CHK'D: AIDA 2019/04/03 | | 0.76 MICRO-METER | | |
| 3 PLACES ± 0.2 | | APPR: KOMURAKAMI 2019/04/05 | | PRODUCT CUSTOMER DRAWING | | |
| 2 PLACES ± 0.2 | | INITIAL REVISION: | | DOCUMENT NUMBER | | |
| 1 PLACE ± 0.2 | | DRWN: AISHIKAWA 2019/04/02 | | 2035570000-SD | | |
| 0 PLACES ± 0.2 | | APPR: KOMURAKAMI 2019/04/05 | | PSD 000 A | | |
| DRAFT WHERE APPLICABLE MUST REMAIN WITHIN DIMENSIONS | | THIRD ANGLE PROJECTION | DRAWING | SERIES | MATERIAL NUMBER | CUSTOMER |
| | | | A3-SIZE | 203557 | SEE SHEET 6 | |
| | | | | | | SHEET NUMBER |
| | | | | | | 1 OF 6 |



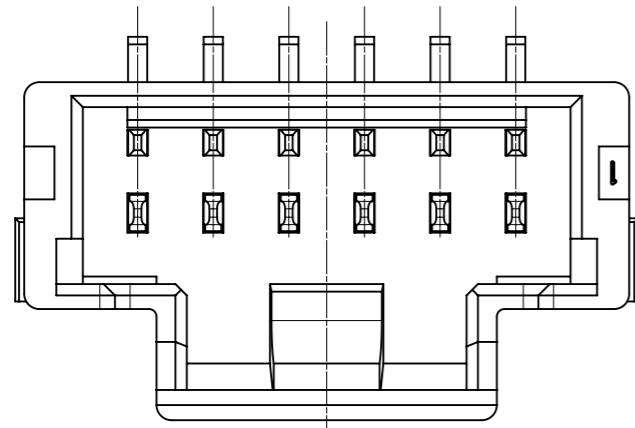
| | | |
|------|------|--------------------|
| 14.0 | 17.0 | 15 |
| 13.0 | 16.0 | 14 |
| 12.0 | 15.0 | 13 |
| 11.0 | 14.0 | 12 |
| 10.0 | 13.0 | 11 |
| 9.0 | 12.0 | 10 |
| 8.0 | 11.0 | 9 |
| 7.0 | 10.0 | 8 |
| 6.0 | 9.0 | 7 |
| 5.0 | 8.0 | 6 |
| B | A | 極数 CIRCUIT SIZE |

| 番号 NO. | 部品 PART | 材質 MATERIAL | |
|-----------|----------------------|--|--|
| ① | ウエハー WAFER | ポリアミド(PA), UL94V-0, 色 : SEE SHEET 6 POLYAMIDE(PA), UL94V-0, COLOR : SEE SHEET 6 | |
| ② | ソルダーピン SOLDER PIN | リン青銅 PHOSPHOR BRONZE | |
| | | 接点部 CONTACT AREA | 金めっき : 0.76 MICRO-METER MIN. GOLD PLATING |
| | | テール部 TAIL AREA | 金めっき : 0.1 MICRO-METER MIN. GOLD PLATING |
| ③ | ネイル NAIL | リン青銅 PHOSPHOR BRONZE | |
| | | テール部 TAIL AREA | 錫めっき : 1.0 MICRO-METER MIN. MATTE TIN PLATING |
| | | 下地めっき UNDER PLATING | ニッケルめっき : 1.0 MICRO-METER MIN. NICKEL |
| ④ | カバーテープ COVER TAPE | ポリイミドテープ POLYIMIDE TAPE | |

| | | | | |
|-----------------|----|--------------|------------|----------|
| DOCUMENT STATUS | P1 | RELEASE DATE | 2019/04/05 | 01:07:41 |
|-----------------|----|--------------|------------|----------|

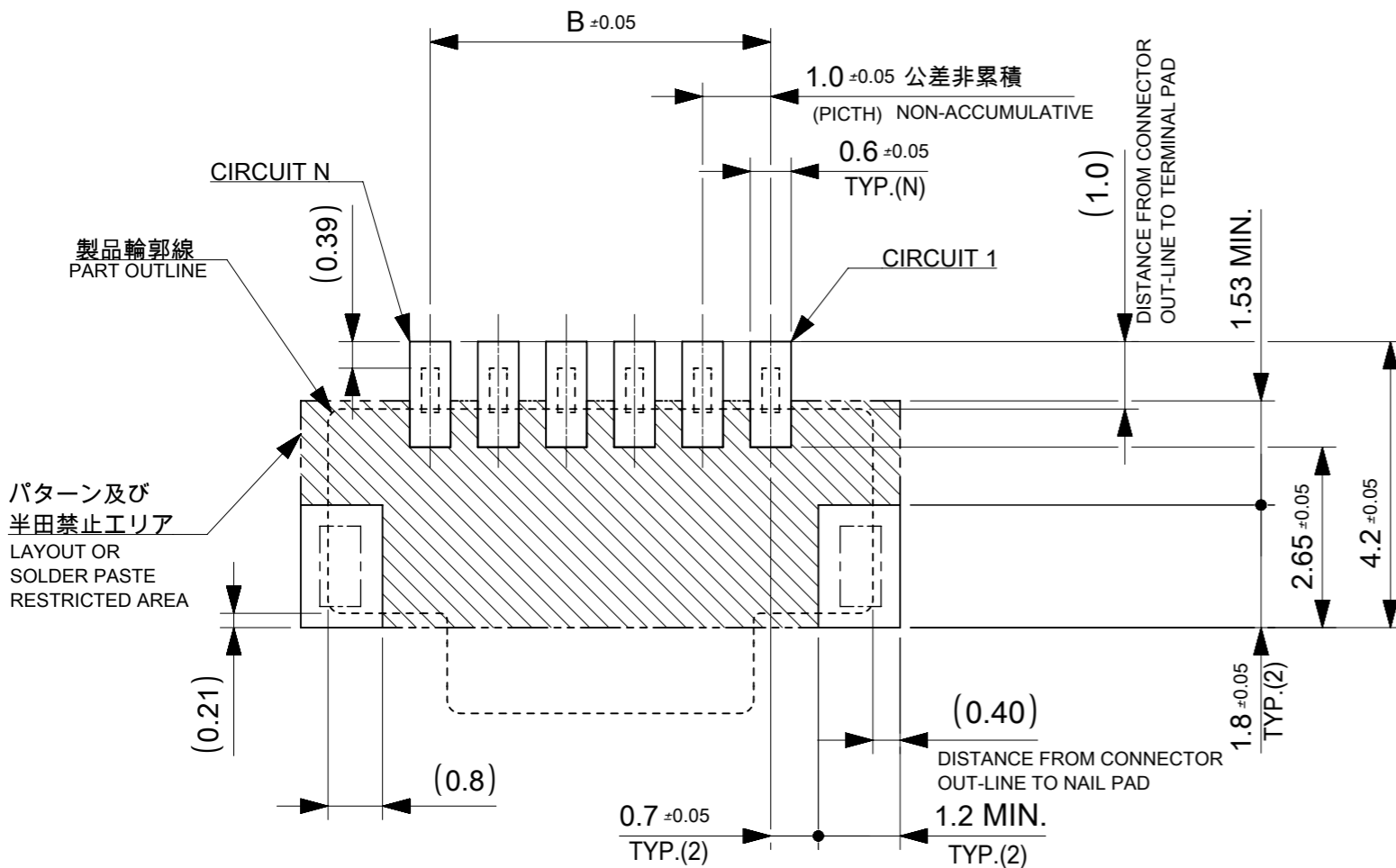
THIS DRAWING CONTAINS INFORMATION THAT IS PROPRIETARY TO MOLEX ELECTRONIC TECHNOLOGIES, LLC AND SHOULD NOT BE USED WITHOUT WRITTEN PERMISSION

| | | | | | | |
|--|-------|-----------------------------|--|---|--|--|
| DIMENSION UNITS | SCALE | CURRENT REV DESC: | | molex | | |
| mm | NTS | | | | | |
| GENERAL TOLERANCES (UNLESS SPECIFIED) | | EC NO: 614886 | | PICO-CLASP 1.0 W/B | | |
| ANGULAR TOL ± 3.0° | | DRWN: AISHIKAWA 2019/04/02 | | SINGLE ROW VT SMT INNER LOCK GOLD PLATING | | |
| 4 PLACES ± 0.2 | | CHK'D: AIDA 2019/04/03 | | 0.76 MICRO-METER | | |
| 3 PLACES ± 0.2 | | APPR: KOMURAKAMI 2019/04/05 | | PRODUCT CUSTOMER DRAWING | | |
| 2 PLACES ± 0.2 | | INITIAL REVISION: | | DOCUMENT NUMBER | | |
| 1 PLACE ± 0.2 | | DRWN: AISHIKAWA 2019/04/02 | | 2035570000-SD | | |
| 0 PLACES ± 0.2 | | APPR: KOMURAKAMI 2019/04/05 | | DOC TYPE DOC PART REVISION | | |
| DRAFT WHERE APPLICABLE MUST REMAIN WITHIN DIMENSIONS | | THIRD ANGLE PROJECTION | | CUSTOMER | | |
| | | DRAWING | | SHEET NUMBER | | |
| | | A3-SIZE | | 203557 | | |
| | | SERIES | | SEE SHEET 6 | | |
| | | MATERIAL NUMBER | | 2 OF 6 | | |



製品レイアウト(参考: 6~15 CIRCUITS)
PRODUCT LAYOUT(REFERENCE: 6~15 CIRCUITS)

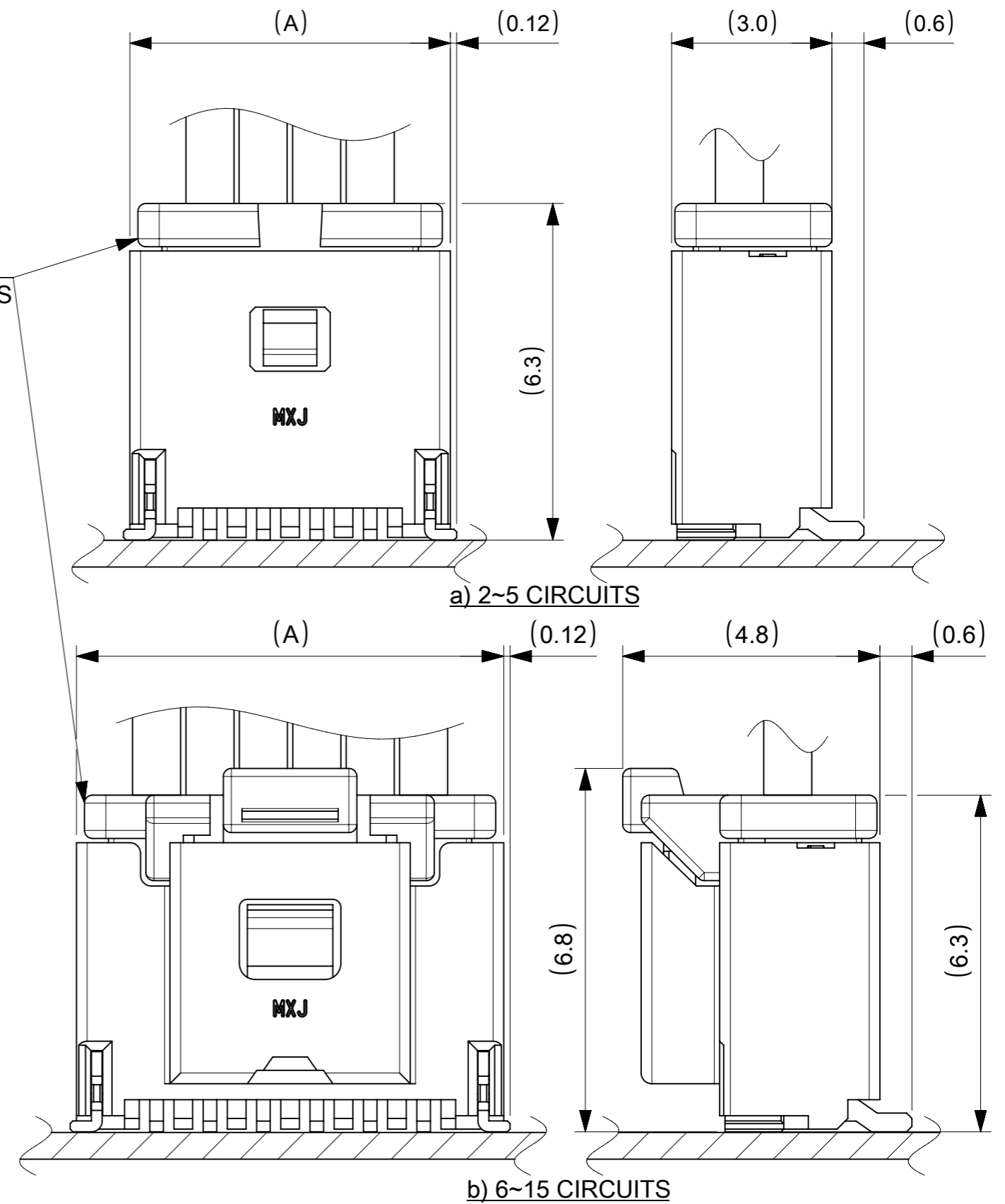
△ 嵌合相手: 501330 シリーズ
MATE WITH: 501330 SERIES



推奨基板レイアウト(全極数適応): 実装面側
(参考: 基板厚 1.0mm, メタルマスク厚さ 0.12mm, マスク開口率100%)

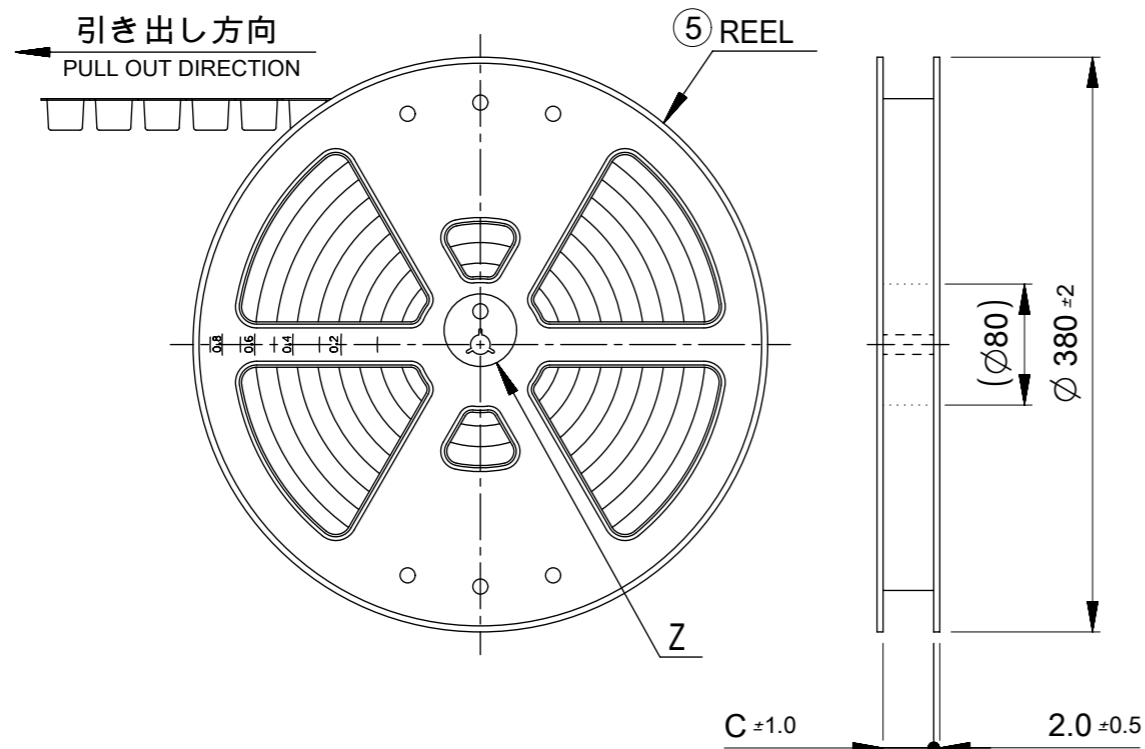
POLARIZED RECOMMENDED PCB LAYOUT(APPLY TO ALL CIRCUIT): COMPONENT SIDE
(REFERENCE: PCB THICKNESS 1.0mm, STENCIL THICKNESS 0.12mm, APERTURE RATIO 100%)

:パターン禁止エリア
RESTRICTED AREA
NO PCB COMPONENTS ALLOWED



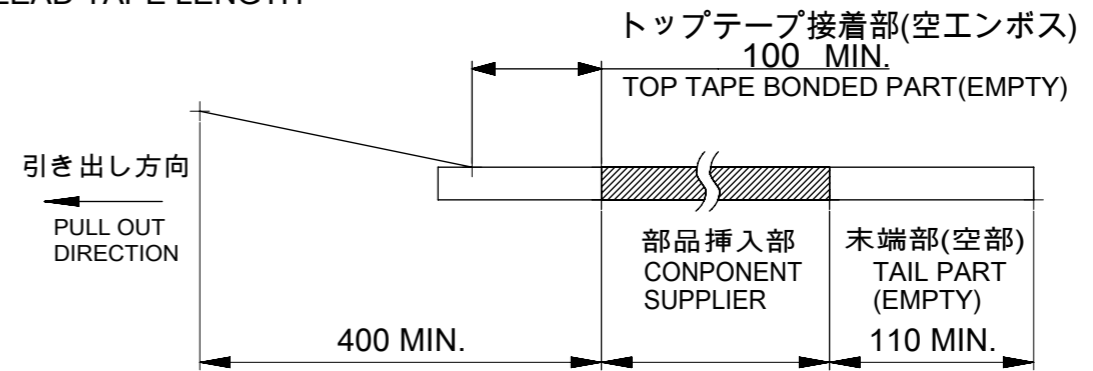
嵌合図
MATED CONNECTORS

| | | | | | |
|---|-------------------|------------------------|--|---|--|
| THIS DRAWING CONTAINS INFORMATION THAT IS PROPRIETARY TO MOLEX ELECTRONIC TECHNOLOGIES, LLC AND SHOULD NOT BE USED WITHOUT WRITTEN PERMISSION | | CURRENT REV DESC: | | | |
| DIMENSION UNITS | SCALE | | | | |
| mm | NTS | | | PICO-CLASP 1.0 W/B | |
| GENERAL TOLERANCES (UNLESS SPECIFIED) | | | | SINGLE ROW VT SMT INNER LOCK GOLD PLATING | |
| ANGULAR TOL ± 3.0° | | | | 0.76 MICRO-METER | |
| 4 PLACES ± 0.2 | EC NO: 614886 | 2019/04/02 | | PRODUCT CUSTOMER DRAWING | |
| 3 PLACES ± 0.2 | DRWN: AISHIKAWA | 2019/04/03 | | DOCUMENT NUMBER | |
| 2 PLACES ± 0.2 | CHK'D: AIDA | 2019/04/05 | | 2035570000-SD | |
| 1 PLACE ± 0.2 | APPR: KOMURAKAMI | 2019/04/05 | | DOC TYPE | |
| 0 PLACES ± 0.2 | INITIAL REVISION: | | | PSD | |
| DRAFT WHERE APPLICABLE MUST REMAIN WITHIN DIMENSIONS | | THIRD ANGLE PROJECTION | | DOC PART | |
| | | DRAWING | | 000 | |
| | | SERIES | | REVISION | |
| | | A3-SIZE | | A | |
| | | 203557 | | SHEET NUMBER | |
| | | SEE SHEET 6 | | 3 OF 6 | |

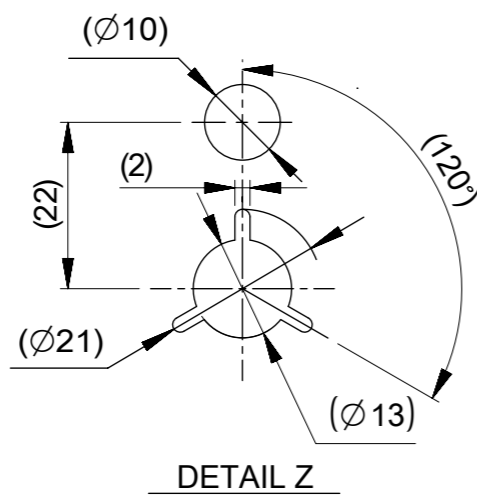


NOTES

- 10. 梱包数量:1100個/リール
NUMBER OF CONNECTORS : 1100 PIECES/REEL
- 11. リードテープ長さ
LEAD TAPE LENGTH



- 12. トップテープの剥離強度はIEC60286-3に準拠。
TOP TAPE PEELING FORCE IS DEFINED BY IEC60286-3.
- △13 2~5極品は乾燥剤入り、ハイバリア梱包による納品となります。
2~5 CIRCUITS IS DELIVERED IN A HIGH BARRIER PACKAGE WITH DESOCCANT.
- 14. 梱包仕様書 : 2035579200 PS 200
PACKAGE SPECIFICATION:
- △15 発注番号 : SHEET 6 参照
ORDER No. : PLEASE REFER TO SHEET 6 FOR PRODUCT LIST.



203557 ** * *

| | | |
|--------------------|---------------------------|---------------------------------|
| 極数 CIRCUIT SIZE | ハウジングカラー HOUSING COLOR | 製品識別番号 IDENTIFICATION NUMBER |
| | 0:NATURAL(BEIGE) | 7:EMBOSSED PACKAGE |

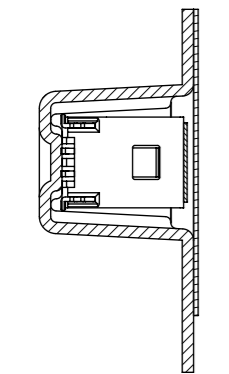
| | |
|------|--------------------|
| 33.4 | 15 |
| | 14 |
| 25.4 | 13 |
| | 12 |
| | 11 |
| | 10 |
| | 9 |
| 17.5 | 8 |
| | 7 |
| | 6 |
| C | 5 |
| | 4 |
| | 3 |
| | 2 |
| | 極数 CIRCUIT SIZE |

| 番号 NO. | 部品 PART | 材質 MATERIAL |
|-----------|-------------|--|
| ⑤ | リール REEL | ポリスチレン(PS) <リサイクル材を含む> POLYSTYRENE(PS) <RECYCLE MATERIAL CONTAINED> |

| | | | | |
|-----------------|----|--------------|------------|----------|
| DOCUMENT STATUS | P1 | RELEASE DATE | 2019/04/05 | 01:07:41 |
|-----------------|----|--------------|------------|----------|

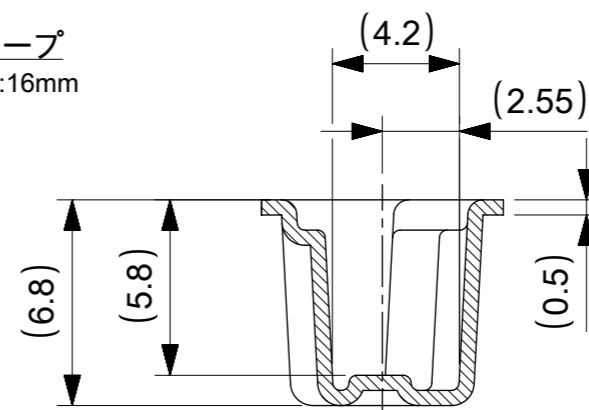
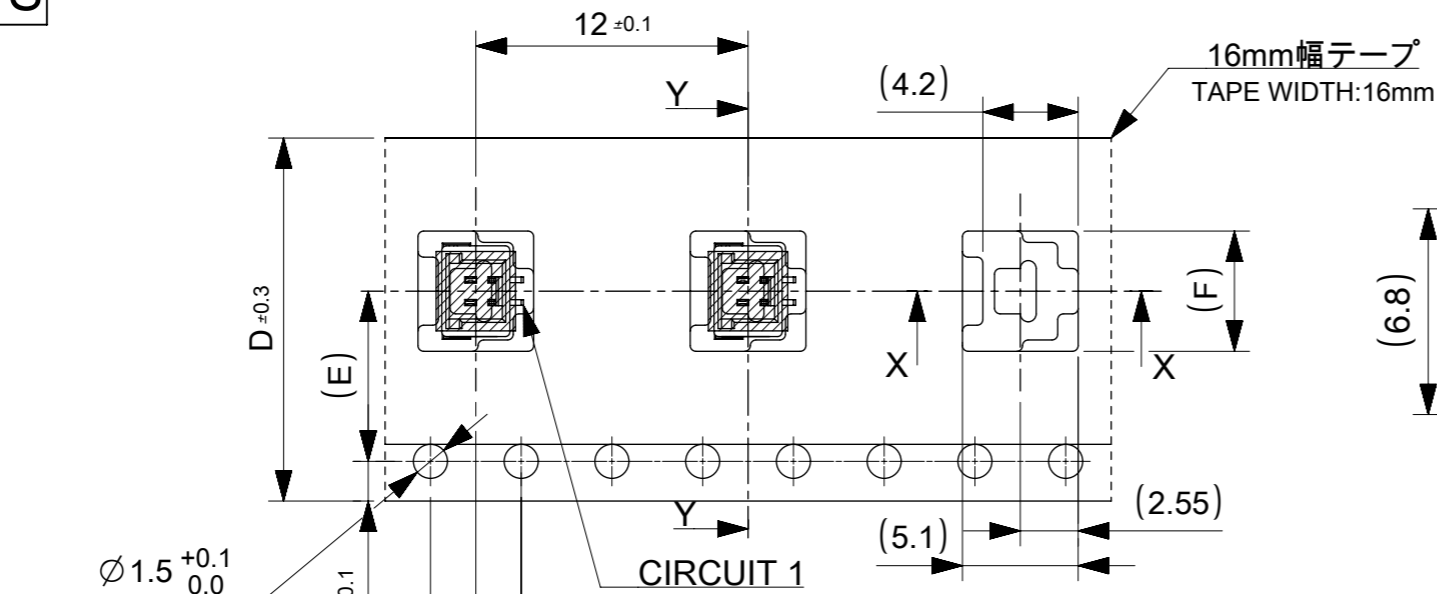
| | | | | | |
|---|---------|--|---------|---|--------------|
| THIS DRAWING CONTAINS INFORMATION THAT IS PROPRIETARY TO MOLEX ELECTRONIC TECHNOLOGIES, LLC AND SHOULD NOT BE USED WITHOUT WRITTEN PERMISSION | | CURRENT REV DESC: | | molex | |
| DIMENSION UNITS | SCALE | EC NO: 614886 | | | |
| mm | NTS | DRWN: AISHIKAWA 2019/04/02 | | SINGLE ROW VT SMT INNER LOCK GOLD PLATING 0.76 MICRO-METER | |
| GENERAL TOLERANCES (UNLESS SPECIFIED) | | CHK'D: AIDA 2019/04/03 | | PRODUCT CUSTOMER DRAWING | |
| ANGULAR TOL | ± 3.0 ° | APPR: KOMURAKAMI 2019/04/05 | | DOCUMENT NUMBER | |
| 4 PLACES | ± 0.2 | INITIAL REVISION: | | 2035570000-SD | |
| 3 PLACES | ± 0.2 | DRWN: AISHIKAWA 2019/04/02 | | DOC TYPE | DOC PART |
| 2 PLACES | ± 0.2 | APPR: KOMURAKAMI 2019/04/05 | | PSD | 000 |
| 1 PLACE | ± 0.2 | DRAFT WHERE APPLICABLE MUST REMAIN WITHIN DIMENSIONS | | REVISION | A |
| 0 PLACES | ± 0.2 | THIRD ANGLE PROJECTION | DRAWING | SERIES | SHEET NUMBER |
| | | ⊕ | A3-SIZE | 203557 | 4 OF 6 |
| | | MATERIAL NUMBER | | CUSTOMER | |
| | | SEE SHEET 6 | | | |

2~5 CIRCUITS

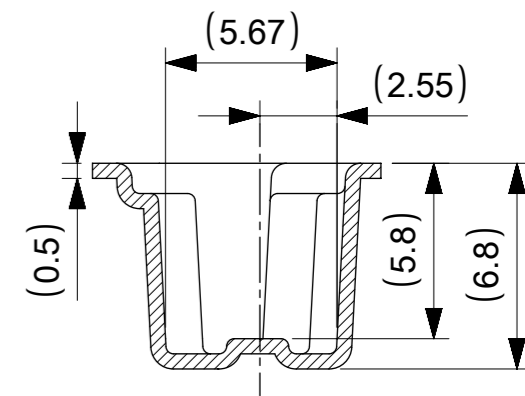


SECTION Y-Y

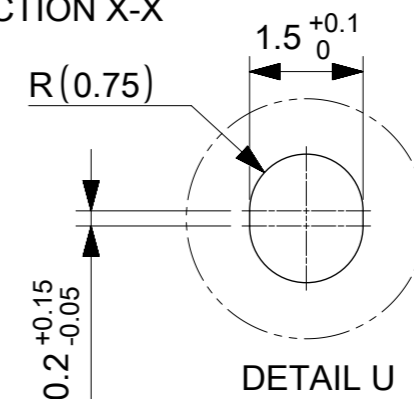
引き出し方向
PULL OUT DIRECTION



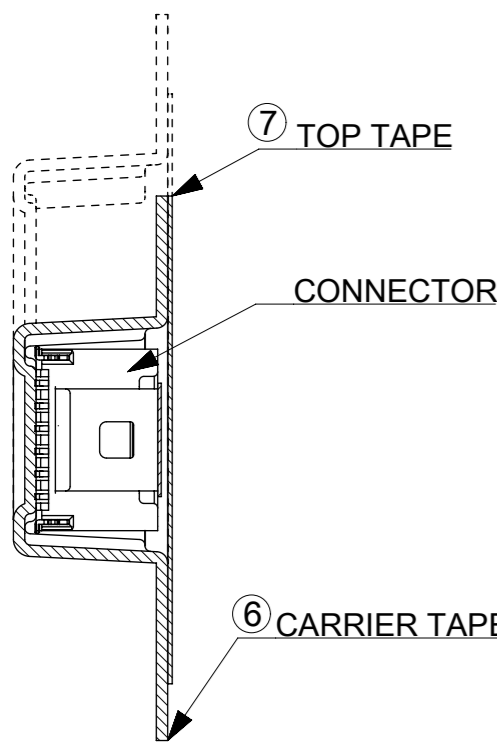
SECTION X-X



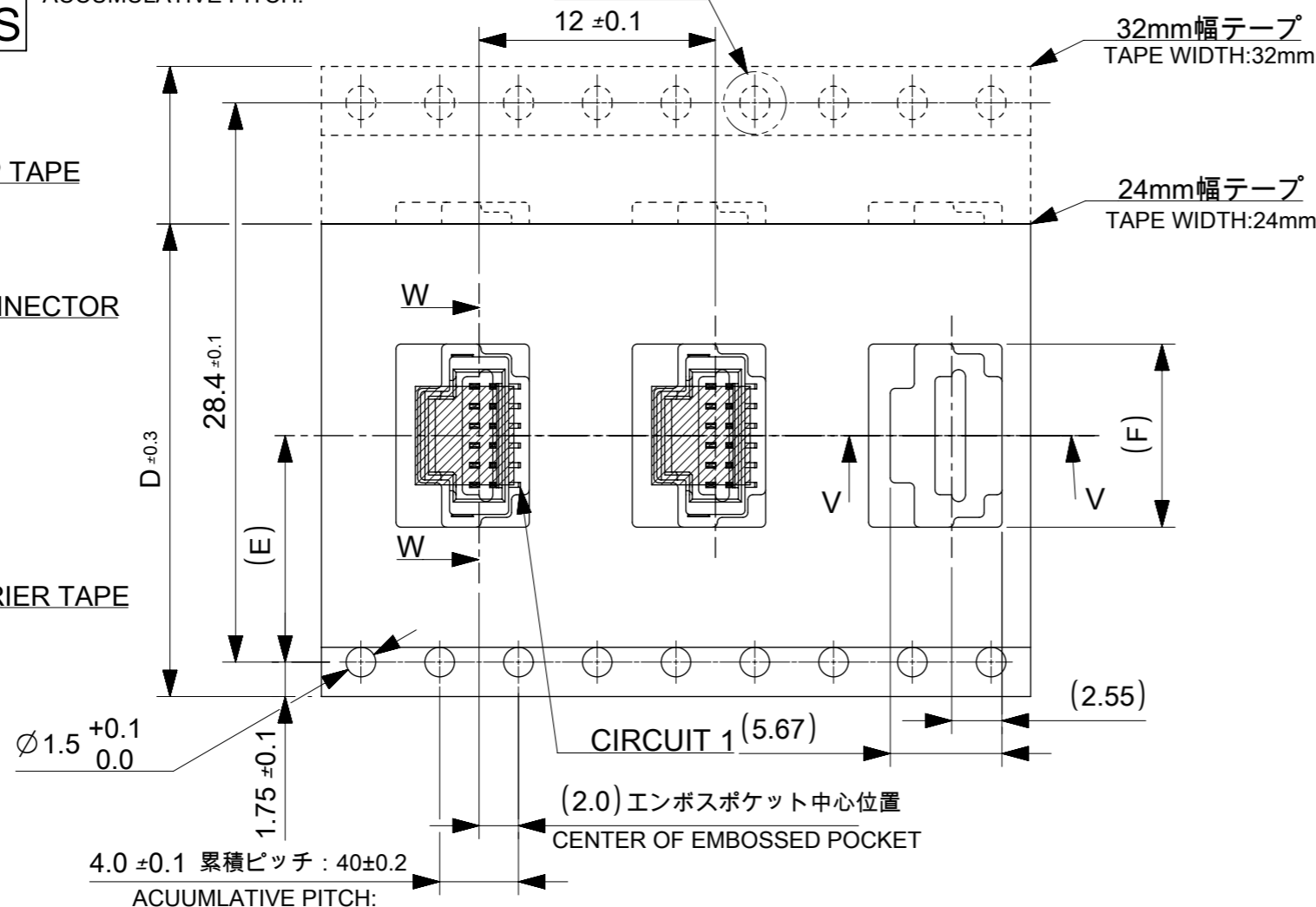
SECTION V-V



6~15 CIRCUITS



SECTION W-W



| | | | |
|------|----------------------------------|-----------------------------|--------------------|
| 18.3 | 14.2 | 32 | 15 |
| 17.3 | | | 14 |
| 16.3 | | | 13 |
| 15.3 | 11.5 | 24 | 12 |
| 14.3 | | | 11 |
| 13.3 | | | 10 |
| 12.3 | | | 9 |
| 11.3 | 7.5 | 16 | 8 |
| 10.3 | | | 7 |
| 9.3 | | | 6 |
| 8.3 | | | 5 |
| 7.3 | | | 4 |
| 6.3 | | | 3 |
| 5.3 | | | 2 |
| F | コネクタ中心位置 E SENER OF CONNECTOR | エンボステープ幅 D WIDTH OF TAPE | 極数 CIRCUIT SIZE |

| 番号 NO. | 部品 PART | 材質 MATERIAL |
|-----------|-------------------------|--|
| ⑥ | キャリアテープ CARRIER TAPE | ポリプロピレン(PP)、その他 POLYPROPYLEN(PP), etc |
| ⑦ | トップテープ TOP TAPE | ポリエチレン(PE)、その他 POLYETHYLENE(PE), etc |

| | | | | |
|-----------------|----|--------------|------------|----------|
| DOCUMENT STATUS | P1 | RELEASE DATE | 2019/04/05 | 01:07:41 |
|-----------------|----|--------------|------------|----------|

THIS DRAWING CONTAINS INFORMATION THAT IS PROPRIETARY TO MOLEX ELECTRONIC TECHNOLOGIES, LLC AND SHOULD NOT BE USED WITHOUT WRITTEN PERMISSION

SCALE: NTS

GENERAL TOLERANCES (UNLESS SPECIFIED):

ANGULAR TOL ± 3.0°

4 PLACES ± 0.2

3 PLACES ± 0.2

2 PLACES ± 0.2

1 PLACE ± 0.2

0 PLACES ± 0.2

THIRD ANGLE PROJECTION

DRAWING: A3-SIZE

SERIES: 203557

MATERIAL NUMBER: SEE SHEET 6

CUSTOMER: 2035570000-SD

DOC TYPE: PSD

DOC PART: 000

REVISION: A

SHEET NUMBER: 5 OF 6

CURRENT REV DESC:

EC NO: 614886

DRWN: AISHIKAWA 2019/04/02

CHK'D: AIDA 2019/04/03

APPR: KOMURAKAMI 2019/04/05

INITIAL REVISION:

DRWN: AISHIKAWA 2019/04/02

APPR: KOMURAKAMI 2019/04/05

PRODUCT CUSTOMER DRAWING

DOCUMENT NUMBER: 2035570000-SD

DOC TYPE: PSD

DOC PART: 000

REVISION: A

moLEX

PICO-CLASP 1.0 W/B
SINGLE ROW VT SMT INNER LOCK GOLD PLATING
0.76 MICRO-METER

9 8 7 6 5 4 3 2 1

E

E

D

D

C

C

B

B

A

A

△13 △15 製品一覧 PRODUCT LIST

| | | |
|-----------------------|--------|--------------|
| HOUSING COLOR | | |
| NATURAL(BEIGE) | | |
| 203557 | 1507 | 15 |
| △ | 1407 | 14 |
| | 1307 | 13 |
| | 1207 | 12 |
| | 1107 | 11 |
| | 1007 | 10 |
| | 0907 | 9 |
| | 0807 | 8 |
| | 0707 | 7 |
| | 0607 | 6 |
| | 0507 | 5 |
| | 0407 | 4 |
| | ▽ 0307 | 3 |
| 203557 | 0207 | 2 |
| 発注番号 ORDER No. | | 極数 |
| 梱包形態 : エンボスリール | | CIRCUIT SIZE |
| PACKAGE:EMBOSSED REEL | | |

| | | | | | | | | | | | | |
|---|--|------------------------|--|-----------------------------|--------|-----------------|----------|-----------------|--------------|---|----------|----------|
| THIS DRAWING CONTAINS INFORMATION THAT IS PROPRIETARY TO MOLEX ELECTRONIC TECHNOLOGIES, LLC AND SHOULD NOT BE USED WITHOUT WRITTEN PERMISSION | | | | | | | | | | | | |
| DIMENSION UNITS | | SCALE | | CURRENT REV DESC: | | | | molex | | PICO-CLASP 1.0 W/B SINGLE ROW VT SMT INNER LOCK GOLD PLATING 0.76 MICRO-METER | | |
| mm | | NTS | | | | | | | | | | |
| GENERAL TOLERANCES (UNLESS SPECIFIED) | | | | EC NO: 614886 | | | | DOCUMENT NUMBER | | DOC TYPE | DOC PART | REVISION |
| ANGULAR TOL ± 3.0 ° | | | | DRWN: AISHIKAWA 2019/04/02 | | | | 2035570000-SD | | PSD | 000 | A |
| 4 PLACES ± 0.2 | | | | CHK'D: AIDA 2019/04/03 | | | | | | | | |
| 3 PLACES ± 0.2 | | | | APPR: KOMURAKAMI 2019/04/05 | | | | | | | | |
| 2 PLACES ± 0.2 | | | | INITIAL REVISION: | | | | | | | | |
| 1 PLACE ± 0.2 | | | | DRWN: AISHIKAWA 2019/04/02 | | | | | | | | |
| 0 PLACES ± 0.2 | | | | APPR: KOMURAKAMI 2019/04/05 | | | | | | | | |
| DRAFT WHERE APPLICABLE MUST REMAIN WITHIN DIMENSIONS | | THIRD ANGLE PROJECTION | | DRAWING | SERIES | MATERIAL NUMBER | CUSTOMER | | SHEET NUMBER | | | |
| | | | | A3-SIZE | 203557 | SEE SHEET 6 | | | 6 OF 6 | | | |

| | | | | |
|-----------------|----|--------------|------------|----------|
| DOCUMENT STATUS | P1 | RELEASE DATE | 2019/04/05 | 01:07:41 |
|-----------------|----|--------------|------------|----------|

9 8 7 6 5 4 3 2 1

FORMAT: master-ib-prod-A3
REVISION: 11
DATE: 2018/01/18