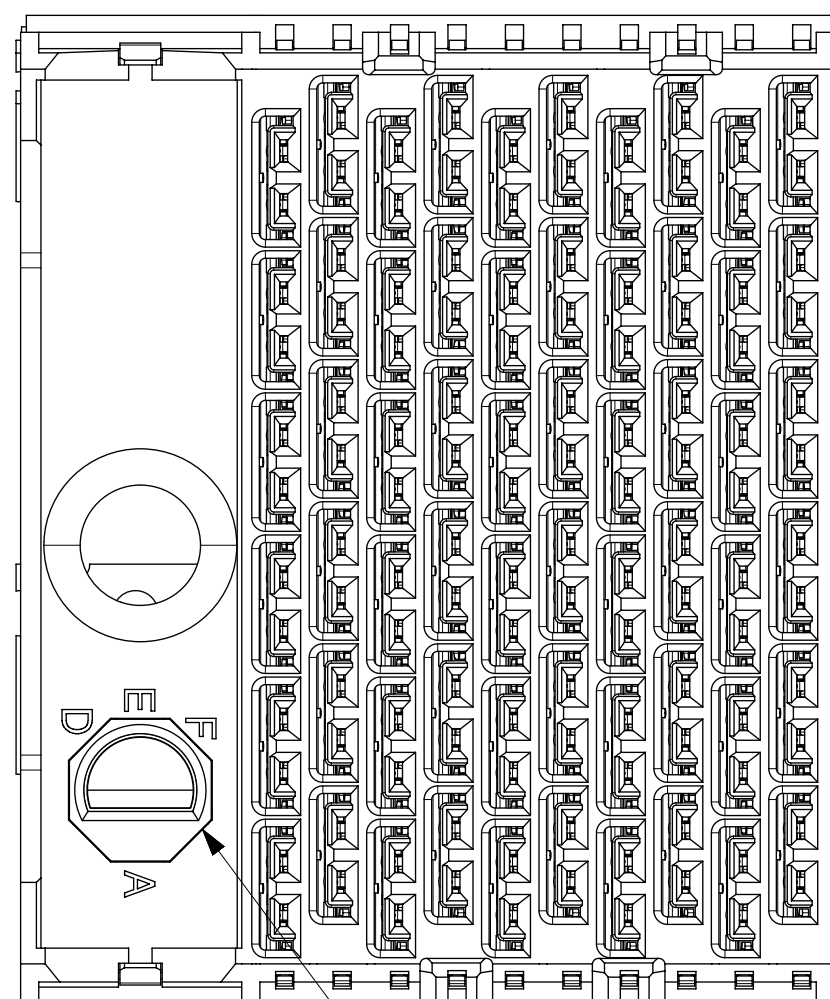
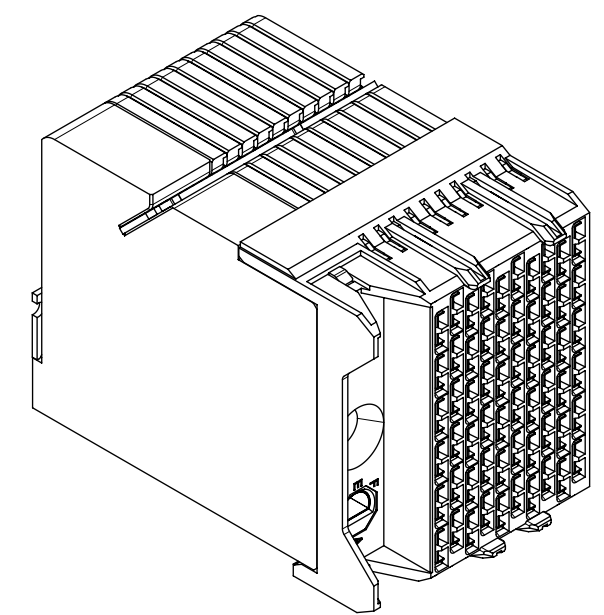
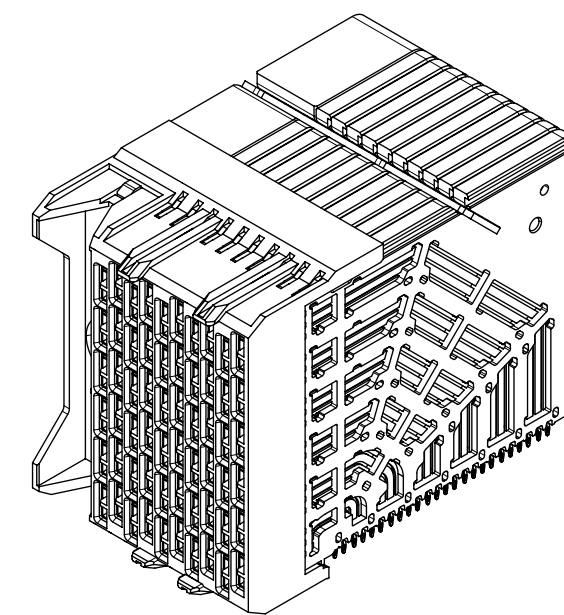


NOTES:

1. MATERIALS: HOUSING - LIQUID CRYSTAL POLYMER (LCP)
GLASS-FILLED, UL94V-0
TERMINALS - HIGH PERFORMANCE COPPER ALLOY
2. FINISH: 30uIN GOLD IN CONTACT AREA.
SELECTIVE TIN ON PCB TAILS.
NICKEL OVERALL.
3. REFER TO MOLEX PRODUCT SPECIFICATION PS-171320-999 FOR PERFORMANCE SPECIFICATIONS.
4. THIS PART CONFORMS TO CLASS B REQUIREMENTS OF MOLEX COSMETIC SPEC PS-45499-002.
5. PRODUCT WILL BE PACKAGED PER PK-78888-088.
6. SEE SHEET 2 FOR HOLE PATTERN DIMENSIONS.
7. MATES WITH IMPEL BP SERIES NUMBER 171395.
8. REFER TO IMPEL PCB ROUTING GUIDE AS-171320-990 FOR ANTIPAD, ROUTING RECOMMENDATIONS, AND ADDITIONAL PCB INFORMATION.
9. WHEN STACKING MODULES END TO END, THE MINIMUM COLUMN TO COLUMN HOLE SPACING IS 2.65mm.
10. WHEN USING THE SUPPLIED 2-32 THREAD FORMING SCREW (P/N 73726-0000), THE MAXIMUM RECOMMENDED BOARD THICKNESS IS 4.4mm.



KEY SHOWN IN POSITION "A"

QUALITY SYMBOLS	THIS DRAWING CONTAINS INFORMATION THAT IS PROPRIETARY TO MOLEX ELECTRONIC TECHNOLOGIES, LLC AND SHOULD NOT BE USED WITHOUT WRITTEN PERMISSION			GENERAL TOLERANCES (UNLESS SPECIFIED)		DIMENSION UNITS	SCALE				
	mm		4:1		DRWN BY		DATE				
▽ = 0	EC NO: 177599 DRWN: ABN CHKD: CYLAW APPR: DWLE01 MIGRATED TO NXELECTR 2017/12/14 2018/06/07 2018/06/19	ANGULAR TOL ± 0.5 °		JLAURX		2012/01/18		IMPEL DAUGHTERCARD ASSY 6 PAIR - 1.9MM PITCH GUIDE LEFT SALES DWG			
▽ = 0		4 PLACES ±		CHKD BY		DATE					
▽ = 0		3 PLACES ±		APPR BY		DATE		PRODUCT CUSTOMER DRAWING			
▼ = 0		2 PLACES ± 0.13		JLAURX		2012/05/18					SERIES
▽ = 0		1 PLACE ± 0.25		DRAWING SIZE		THIRD ANGLE PROJECTION		171400		SEE CHART	GENERAL MARKET
⊠ = 0		0 PLACES ±		C				DOCUMENT NUMBER		DOC TYPE	DOC PART
■ = 0	DRAFT WHERE APPLICABLE MUST REMAIN WITHIN DIMENSIONS		A4		SD-171400-0002		PSD		001	1 OF 2	

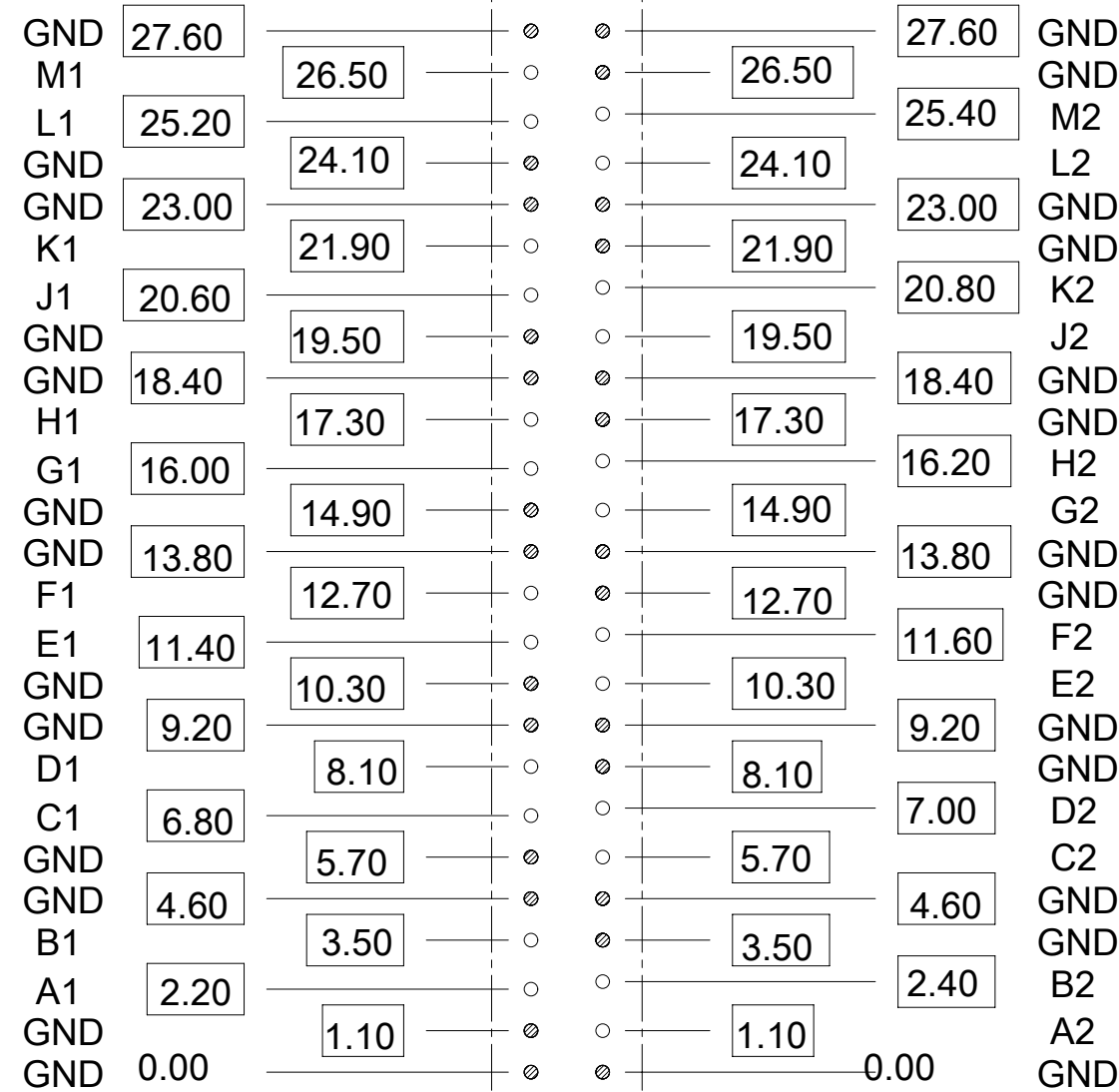
MATERIAL NUMBER	NUMBER OF COLUMNS	NUMBER OF DIFF PAIR	DIM "A"	DIM "B"
171400-3*38	8	48	23.40 MAX	13.30
171400-3*20	10	60	27.20 MAX	17.10
171400-3*26	16	96	38.60 MAX	28.50

171400-3***

MODULE TYPE
3 = GUIDE LEFT

KEY ORIENTATION
0 = NO KEY
1 = A 5 = E
2 = B 6 = F
3 = C 7 = G
4 = D 8 = H

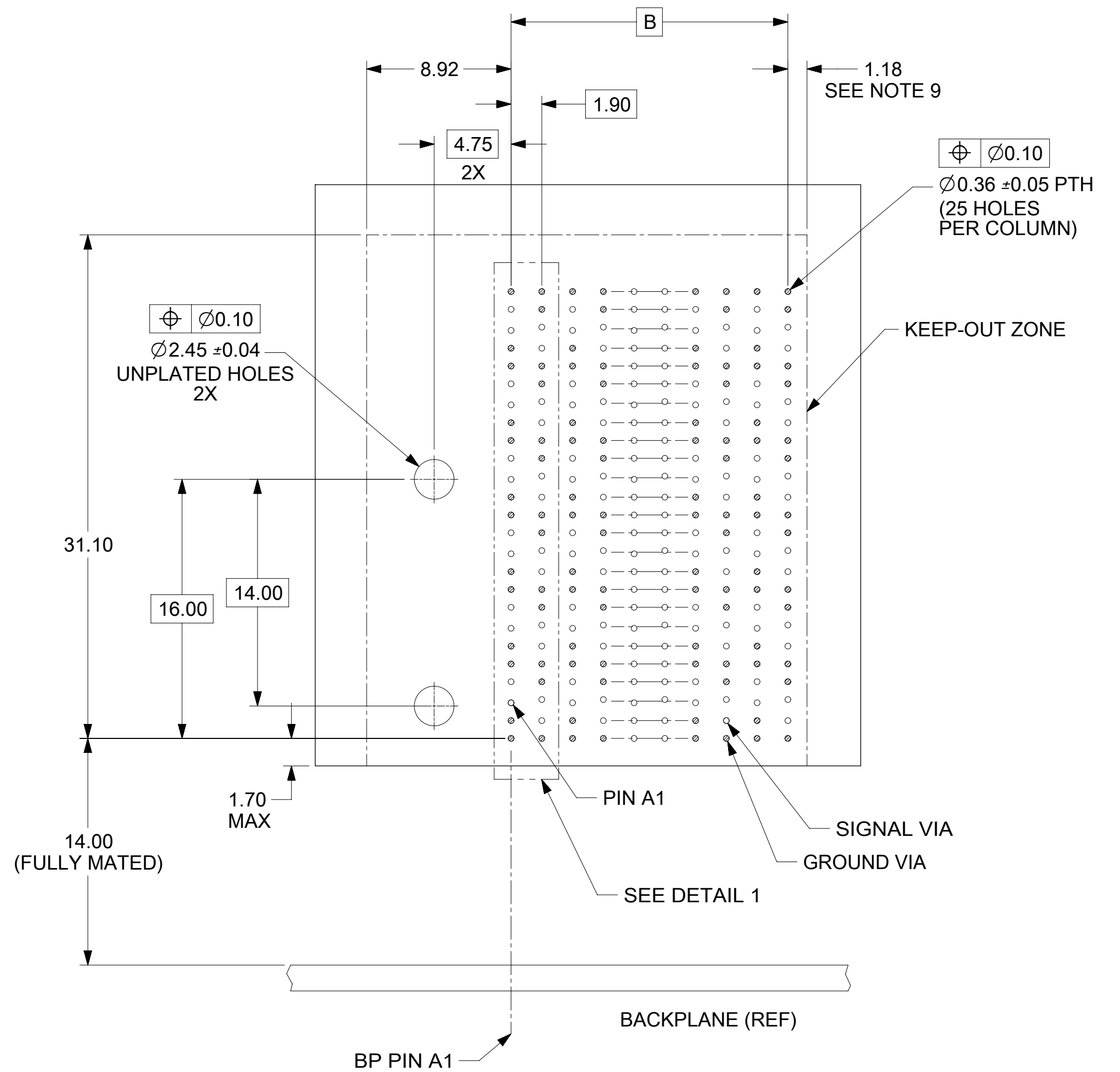
COLUMN SIZE
38 = 8 COLUMN
20 = 10 COLUMN
26 = 16 COLUMN



ODD COLUMN DIMENSIONS

EVEN COLUMN DIMENSIONS

DETAIL 1
SCALE 5:1



DAUGHTERCARD HOLE PATTERN (CONNECTOR SIDE)

QUALITY SYMBOLS	THIS DRAWING CONTAINS INFORMATION THAT IS PROPRIETARY TO MOLEX ELECTRONIC TECHNOLOGIES, LLC AND SHOULD NOT BE USED WITHOUT WRITTEN PERMISSION		DIMENSION UNITS		SCALE	molex
▽ = 0	GENERAL TOLERANCES (UNLESS SPECIFIED)		mm	1:1		
▽ = 0	MIGRATED TO NXELECTR EC NO: 177599 DRWN: ABN CHKD: CYLAW REV / APPR: DWLE01	ANGULAR TOL ± 0.5 °	DRWN BY	DATE		IMPEL DAUGHTERCARD ASSY 6 PAIR - 1.9MM PITCH GUIDE LEFT SALES DWG
▽ = 0		4 PLACES ±	JLAURX	2012/01/18		
▽ = 0		3 PLACES ±	CHKD BY	DATE		
▽ = 0		2 PLACES ± 0.13	APPR BY	DATE		
▽ = 0		1 PLACE ± 0.25	JLAURX	2012/05/18		
▽ = 0	0 PLACES ±	DRAFT WHERE APPLICABLE MUST REMAIN WITHIN DIMENSIONS	DRAWING SIZE	THIRD ANGLE PROJECTION		PRODUCT CUSTOMER DRAWING
□ = 0	A4		C			SERIES MATERIAL NUMBER CUSTOMER
▽ = 0						171400 SEE CHART GENERAL MARKET
						DOCUMENT NUMBER DOC TYPE DOC PART SHEET NUMBER
						SD-171400-0002 PSD 001 2 OF 2