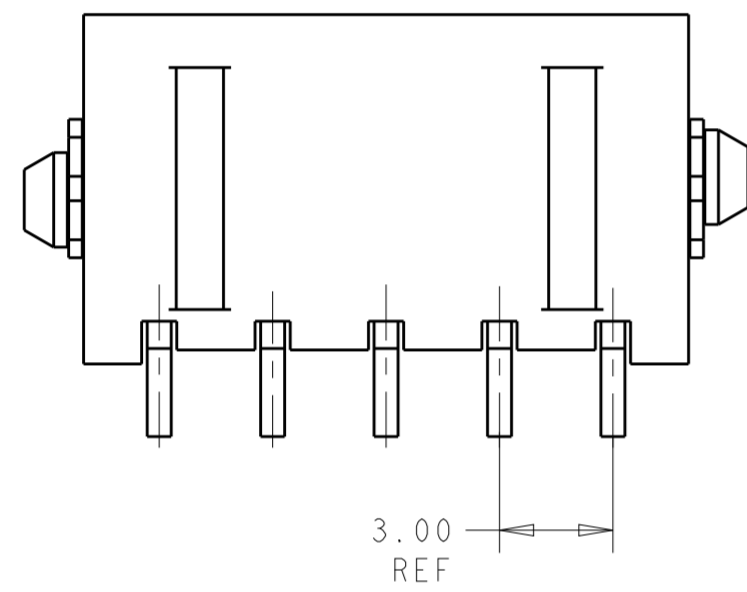
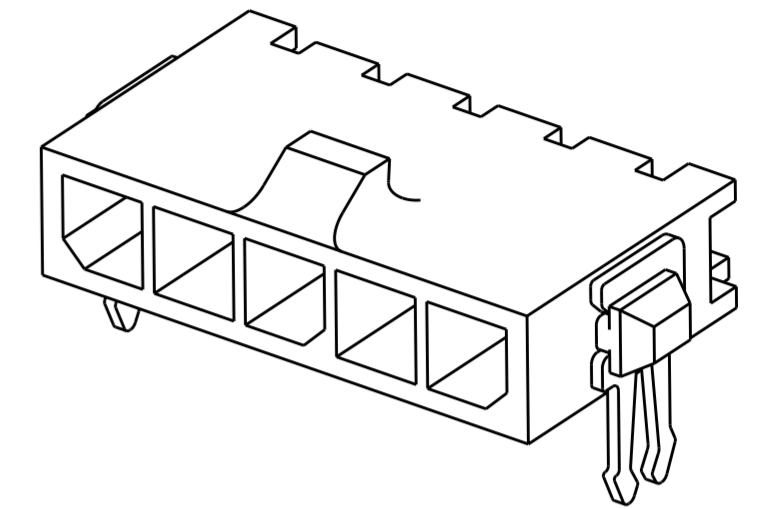
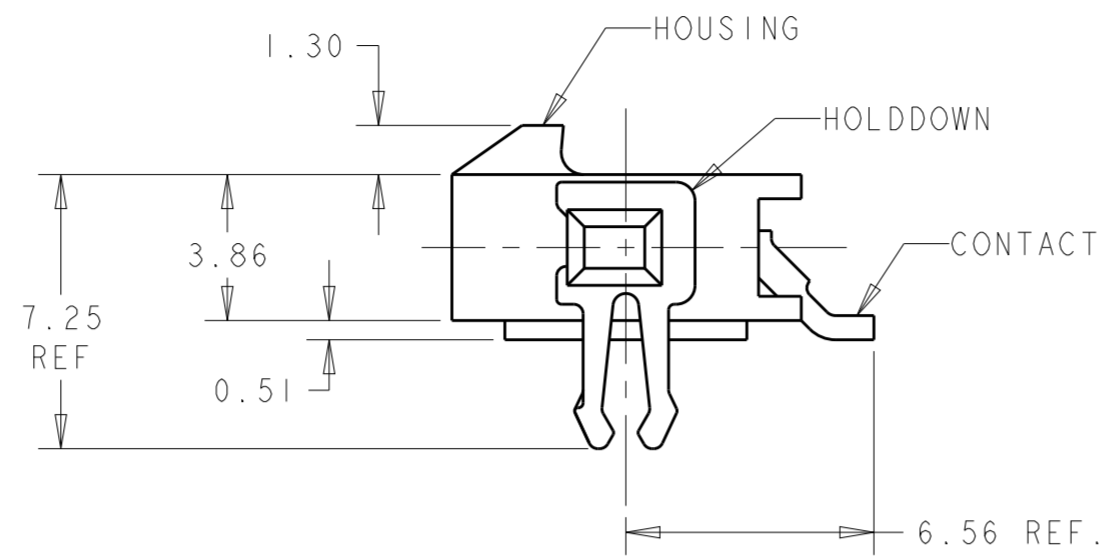
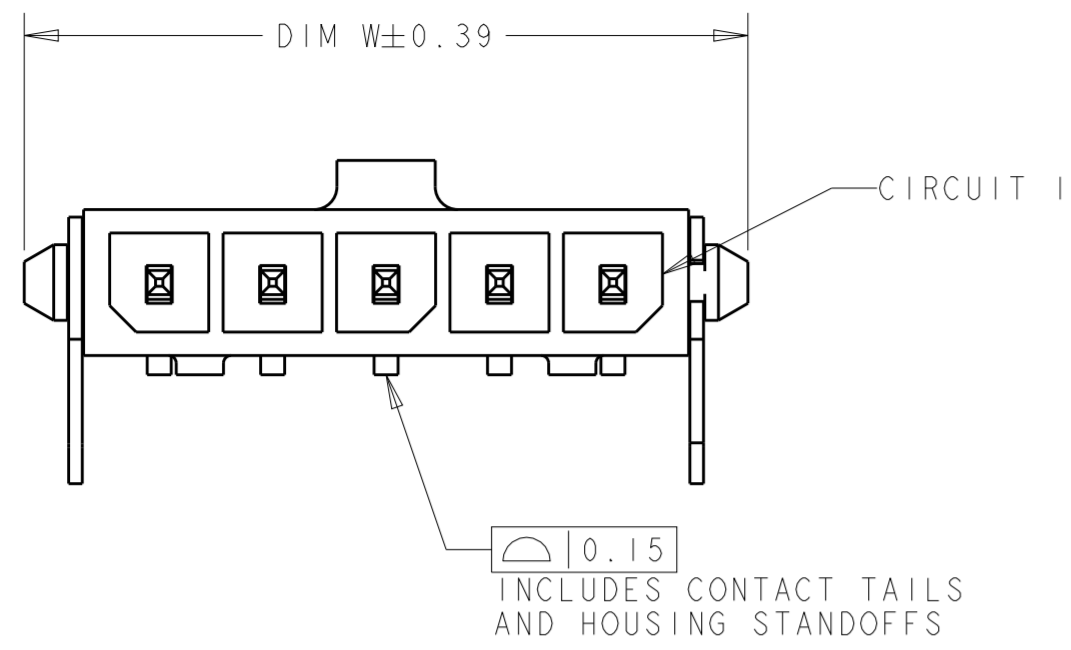


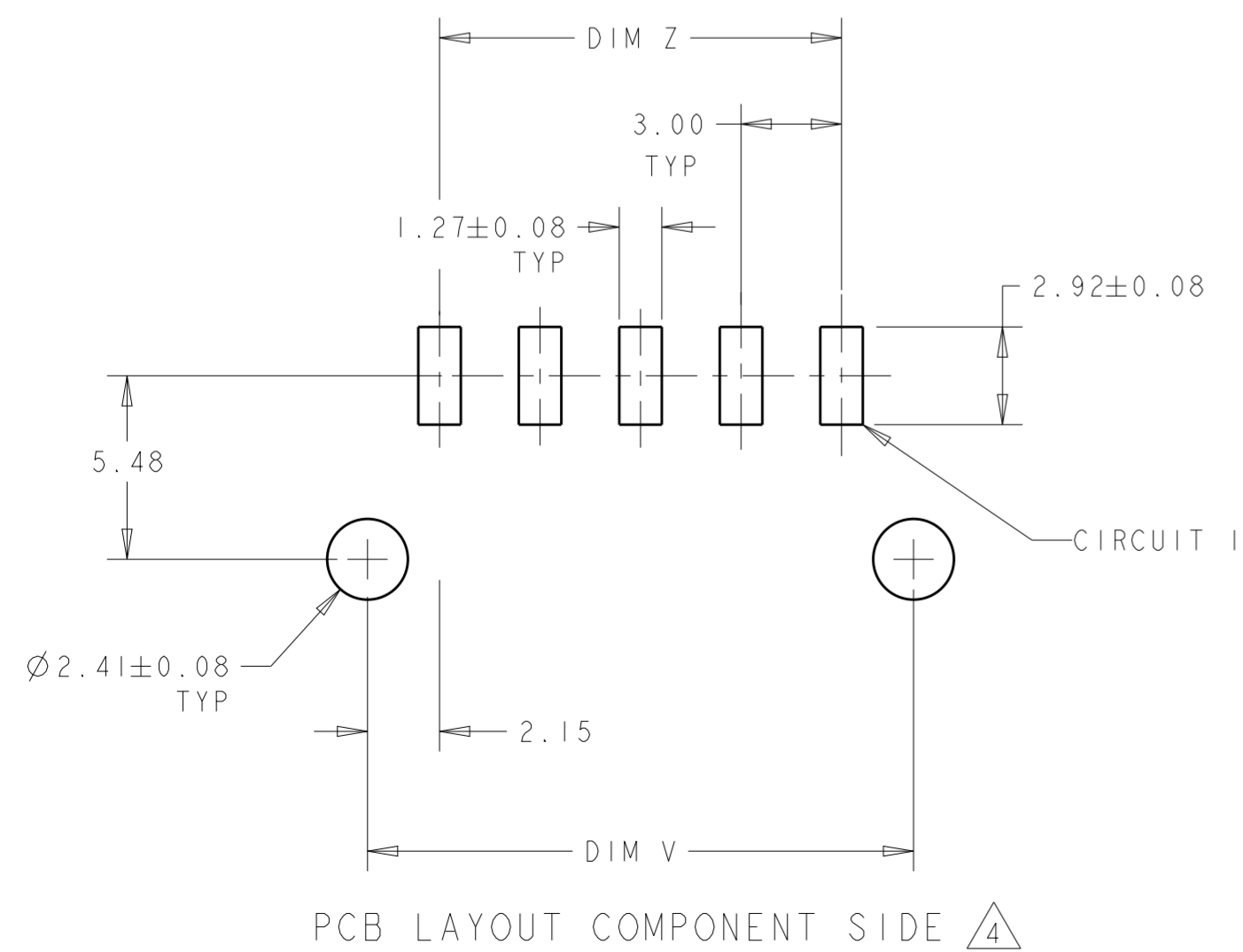
THIS DRAWING IS UNPUBLISHED. RELEASED FOR PUBLICATION
 © COPYRIGHT copyright.d8te- ALL RIGHTS RESERVED.

REVISIONS					
P	LTR	DESCRIPTION	DATE	DWN	APVD
B1		REVISED PER ECR-16-011494	20JUN2017	NK	CX
B2		ECO-19-006934	13MAY2019	AP	WS
B3		REVISED PER ECO-20-010933	05AUG2020	WLS	VS



- 1 MATERIAL: CONTACTS - BRASS
HOUSING - UL 94V-0 RATED HIGH TEMP NYLON, COLOR BLACK.
HOLDDOWNS: - PHOSPHOR BRONZE.
- 2 PLATING: CONTACTS - 0.38µm MINIMUM GOLD ON MATING END,
2.54µm MINIMUM TIN LEAD ON SOLDER TAILS, BOTH OVER
1.27µm MINIMUM NICKEL.
HOLDDOWNS: 2.54µm MINIMUM TIN-LEAD OVER 1.27µm MINIMUM
NICKEL.
- 4 RECOMMENDED PC BOARD THICKNESS OF 1.57.
- 5 PLATING: CONTACTS - 0.38µm MINIMUM GOLD ON MATING END,
2.54µm MINIMUM MATTE TIN ON SOLDER TAILS, BOTH OVER
1.27µm MINIMUM NICKEL.
HOLDDOWNS: 2.54µm MINIMUM MATTE TIN OVER 1.27µm MINIMUM
NICKEL.

5	33.00	37.43	40.00	12	3-1445090-2
5	30.00	34.43	37.00	11	3-1445090-1
5	27.00	31.43	34.00	10	3-1445090-0
5	24.00	28.43	31.00	9	2-1445090-9
5	21.00	25.43	28.00	8	2-1445090-8
5	18.00	22.43	25.00	7	2-1445090-7
5	15.00	19.43	22.00	6	2-1445090-6
5	12.00	16.43	19.00	5	2-1445090-5
5	9.00	13.43	16.00	4	2-1445090-4
5	6.00	10.43	13.00	3	2-1445090-3
5	3.00	7.43	10.00	2	2-1445090-2
2	33.00	37.43	40.00	12	+1445090-2-
2	30.00	34.43	37.00	11	+1445090-1-
2	27.00	31.43	34.00	10	+1445090-0-
2	24.00	28.43	31.00	9	+1445090-9-
2	21.00	25.43	28.00	8	+1445090-8-
2	18.00	22.43	25.00	7	+1445090-7-
2	15.00	19.43	22.00	6	+1445090-6-
2	12.00	16.43	19.00	5	+1445090-5-
2	9.00	13.43	16.00	4	+1445090-4-
2	6.00	10.43	13.00	3	+1445090-3-
2	3.00	7.43	10.00	2	+1445090-2-



SUPERSEDED BY 3-1445090-2
 SUPERSEDED BY 3-1445090-1
 SUPERSEDED BY 3-1445090-0
 SUPERSEDED BY 2-1445090-9
 SUPERSEDED BY 2-1445090-8
 SUPERSEDED BY 2-1445090-7
 SUPERSEDED BY 2-1445090-6
 SUPERSEDED BY 2-1445090-5
 SUPERSEDED BY 2-1445090-4
 SUPERSEDED BY 2-1445090-3
 SUPERSEDED BY 2-1445090-2

THIS DRAWING IS A CONTROLLED DOCUMENT.		DWN J. ROOT 09OCT2000	TE Connectivity NAME: RIGHT ANGLE SURF MOUNT HEADER ASSY, 0.38 MIC GOLD CONTACTS, W/THRU HOLE, HOLDDOWNS, SGL ROW, MICRO MATE-N-LOK™	
DIMENSIONS: mm		CHK K. WHITAKER 17-APR-2001		
TOLERANCES UNLESS OTHERWISE SPECIFIED: 0 PLC ± 1 PLC ± 2 PLC ±0.13 3 PLC ± 4 PLC ±		APVD C. JONES 17-APR-2001	SIZE A200779	
MATERIAL SEE TABLE		PRODUCT SPEC 108-1836	DRAWING NO C-1445090	
		APPLICATION SPEC 114-13000	RESTRICTED TO -	
		WEIGHT -	SCALE 5:1 SHEET 1 OF 1 REV B3	
		CUSTOMER DRAWING		