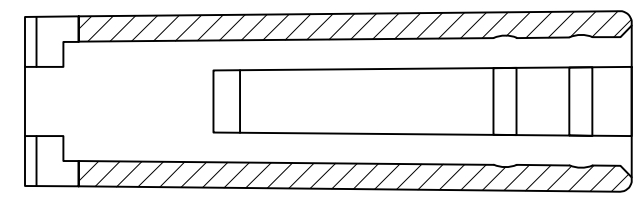


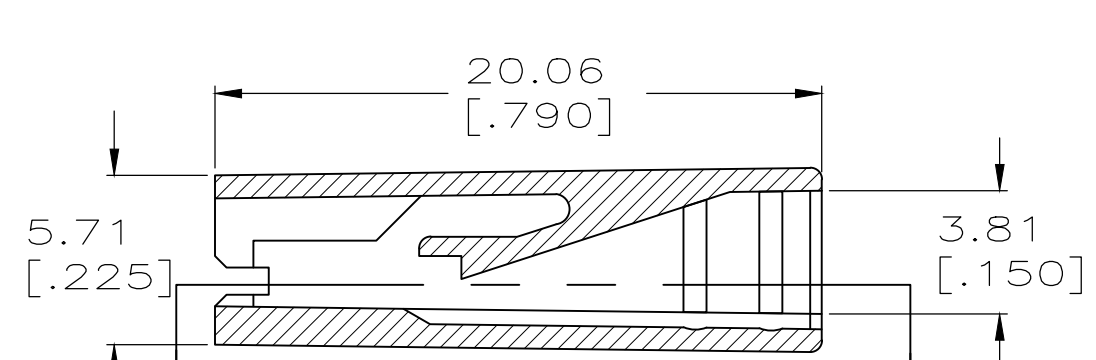
THIS DRAWING IS UNPUBLISHED. RELEASED FOR PUBLICATION
 © COPYRIGHT - By - ALL RIGHTS RESERVED.

LOC	DIST	REVISIONS			
P	LTR	DESCRIPTION	DATE	DWN	APVD
AF	50	L3	REVISED PER ECR-19-018559	13DEC2019	BDA DH

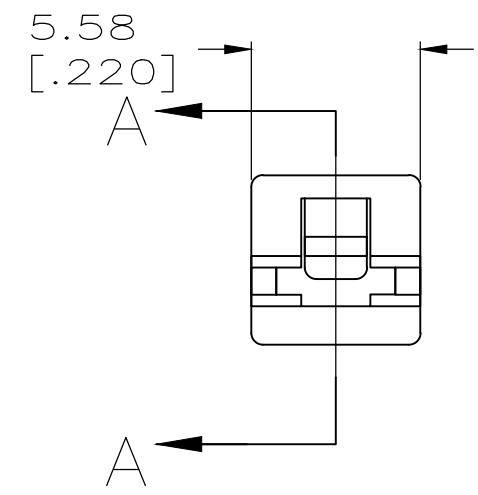
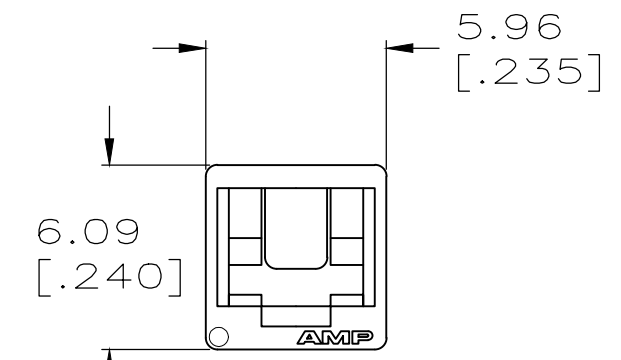
- △1 POLYAMIDE UL94, V2, ACCORDING TO IEC 60335-1 GLOW IWRE.
- △2 PRELIMINARY - NOT FOR PRODUCTION



SECTION B-B



SECTION A-A



NATURAL	△1 NYLON, V2	△2 1-480417-3
NATURAL	NYLON, V0	△2 1-480417-2
BLACK	NYLON, V2	1-480417-1
NATURAL	NYLON, V2	1-480417-0
COLOR	MATERIAL	PART NO.

THIS DRAWING IS A CONTROLLED DOCUMENT.		DWN	JR RUTH	2/8/91	STE TE Connectivity		
DIMENSIONS: mm [INCHES]		CHK	MS FEHER	2/8/91			
TOLERANCES UNLESS OTHERWISE SPECIFIED:		APVD	D REINER	2/8/91	NAME		
0 PLC ± - 1 PLC ± - 2 PLC ± - 3 PLC ± 0.38 [.015] 4 PLC ± - ANGLES ± -		PRODUCT SPEC		HOUSING, RECEPTACLE, FASTON, .110 SERIES			
MATERIAL SEE TABLE		FINISH SEE TABLE		APPLICATION SPEC		RESTRICTED TO	
		WEIGHT		-		SIZE	A3
		CUSTOMER DRAWING		CAGE CODE	00779	DRAWING NO	C-480417
		SCALE		4:1		SHEET	1 OF 1
		REV		L3			