

4

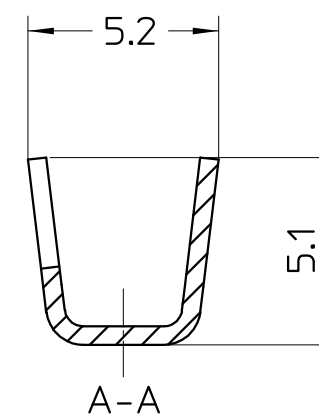
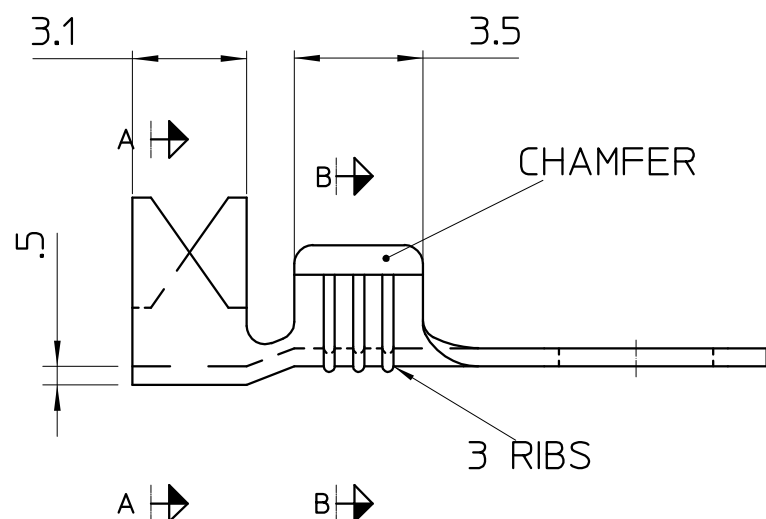
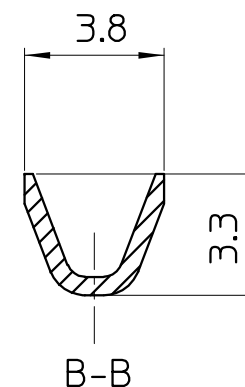
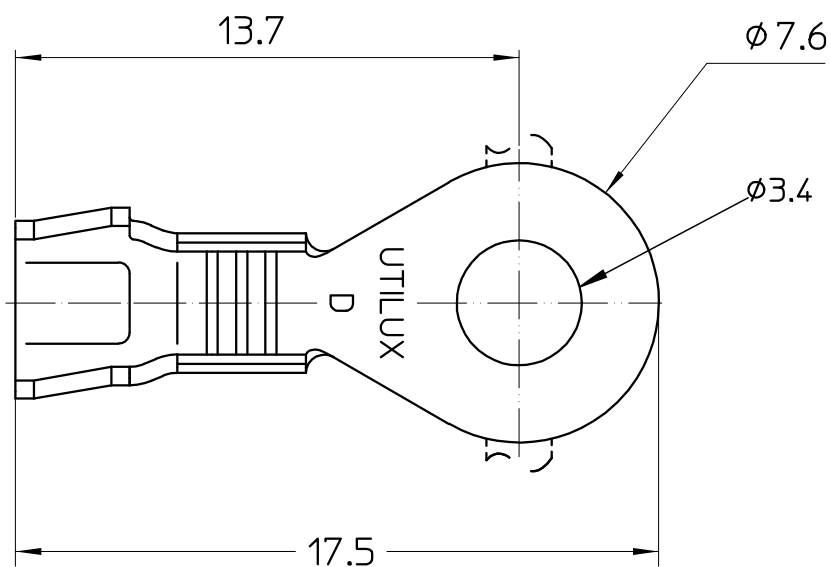
3

2

1

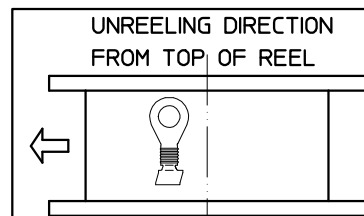
THIS DRAWING IS UNPUBLISHED. RELEASED FOR PUBLICATION
 © COPYRIGHT BY TYCO ELECTRONICS CORPORATION. ALL RIGHTS RESERVED.

LOC	DIST	REVISIONS			
P	LTR	DESCRIPTION	DATE	DWN	APVD
U	-	A	REVISED PER ECR-20-005216	11MAY2020	GK CS



OBSOLETE	LOOSE PIECE	BRASS	TERMINAL, RING TONGUE, LOOSE PIECE	1-1627169-3
OBSOLETE	REEL FORM	BRASS PRE-TIN	TERMINAL, RING TONGUE H3930ET	1-1627169-2
	REEL FORM	BRASS	TERMINAL, RING TONGUE H3930	1-1627169-0
	REMARKS	MATERIAL	DESCRIPTION	PART No.

NOTES:
 1. WIRE RANGE
 CONDUCTOR: 0.5mm² - 1.5mm²
 INSULATION DIA: 2.2mm - 3.2mm



ALL DIMENSIONS IN mm:	TOLERANCES UNLESS OTHERWISE SPECIFIED: DIMENSION (mm) TOLERANCE(+/-mm) LESS THAN 10 0.4 OVER 10 TO 30 0.5 OVER 30 TO 80 0.7 OVER 80 TO 250 1.0 ANGLES ±2°
MATERIAL	FINISH
SEE TABLE	SEE TABLE

THIS DRAWING IS A CONTROLLED DOCUMENT.

DWN: T. THAI 1.7.05
 CHK: W. RIEDE 1.7.05
 APVD: W. RIEDE 2.7.05

PRODUCT SPEC: -
 APPLICATION SPEC: -
 WEIGHT: -

NAME: **STE** TE Connectivity

TERMINAL, RING TONGUE

SIZE	CAGE CODE	DRAWING NO	RESTRICTED TO
A3		©- 1627169	-

CUSTOMER DRAWING SCALE 5:1 SHEET 1 OF 1 REV A

THIS INFORMATION IS CONFIDENTIAL AND PROPRIETARY TO TYCO ELECTRONICS CORPORATION AND ITS WORLDWIDE SUBSIDIARIES AND AFFILIATES. IT MAY NOT BE DISCLOSED TO ANYONE OTHER THAN TYCO ELECTRONICS PERSONNEL WITHOUT THE WRITTEN AUTHORIZATION OF TYCO ELECTRONICS CORPORATION, HARRISBURG, PENNSYLVANIA, USA.