

HEADER WITH LEFT HOLD DOWN (FIG. 1)				
PART NUMBER	NUMBER OF POWER MODULES	"DIM A"	PLATING OPTION	LEFT HOLD DOWN MODULE LOCATION 9
78349-100*	1X	15.00	TIN	REFER TO SHEET 2 FOR DETAILS
78349-10**	2X	26.40		

HEADER WITH RIGHT HOLD DOWN (FIG. 2)				
PART NUMBER	NUMBER OF POWER MODULES	"DIM A"	PLATING OPTION	RIGHT HOLD DOWN MODULE LOCATION 9
78349-200*	1X	15.00	TIN	REFER TO SHEET 3 FOR DETAILS
78349-20**	2X	26.40		

NOTES:

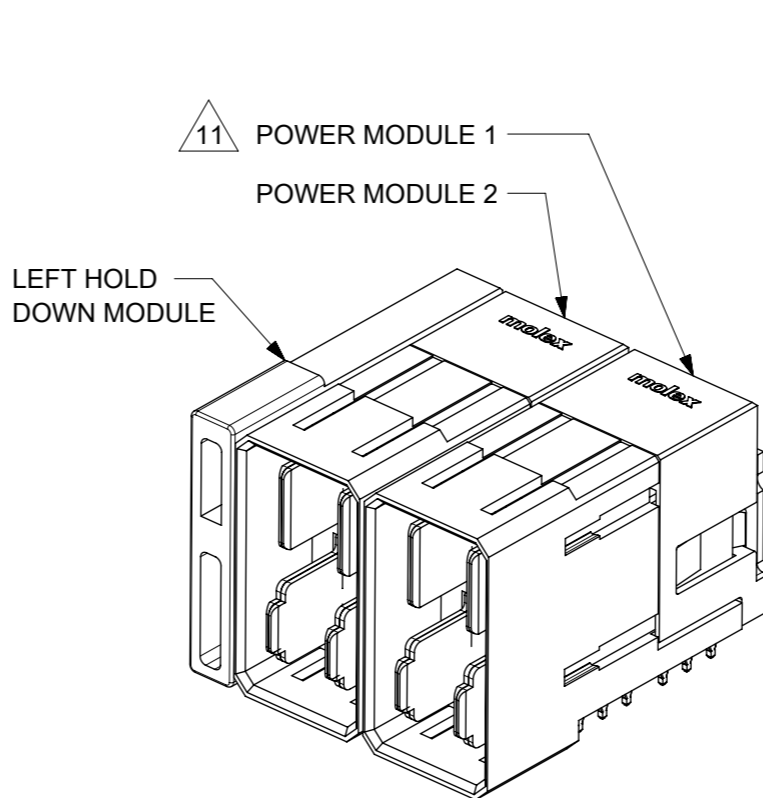
1. MATERIALS:
HOUSING - HIGH TEMP. THERMOPLASTIC, GLASS FILLED, UL94-V0,COLOR:BLACK.
POWER PIN - COPPER ALLOY.
2. FINISH:
POWER CONTACTS
0.76µm MINIMUM GOLD AT CONTACT AREA AND
2.54µm MINIMUM TIN AT SOLDER TAIL AREA
OVER 1.27µm MINIMUM NICKEL UNDERPLATE.
3. PRODUCT SPECIFICATION: PS-78213-001.
4. PACKAGING SPECIFICATION:
PK-78349-001 (1X MODULE WITH HOLD DOWN MODULE)
PK-78349-002 (2X MODULE WITH HOLD DOWN MODULE)
5. REFER TO MOLEX PRODUCT SPECIFICATION PS-78213-001 FOR PLATED THROUGH-HOLE SPECIFICATIONS AND TORQUE FORCE.
6. MATES WITH 78214-****. or 78350-****
7. PART NUMBER AND YEAR-DAY CODE. CAN BE AT THE OPPOSITE SIDE.
8. ADD 11.4mm FOR EACH ADDITIONAL POWER MODULE.
9. THE DETAILS FOR LEFT & RIGHT HOLD DOWN OPTION ARE SHOWN IN SHEET 2 AND SHEET 3 RESPECTIVELY.
10. CONNECTORS ARE PACKED IN A TRAY.
11. FIRST POWER MODULE (#1) START FROM THE RIGHT.
12. REFER TO SD-78213-003 FOR DETAILS OF THE POWER MODULE .
13. ALL PARTS ARE SHIPPED WITH A 2-32 TYPE AB SELF-TAPPING SCREW PART NUMBER 73726-0000.
14. COMPONENT STAY AWAY ZONE FROM CONNECTOR.

78349-*0**

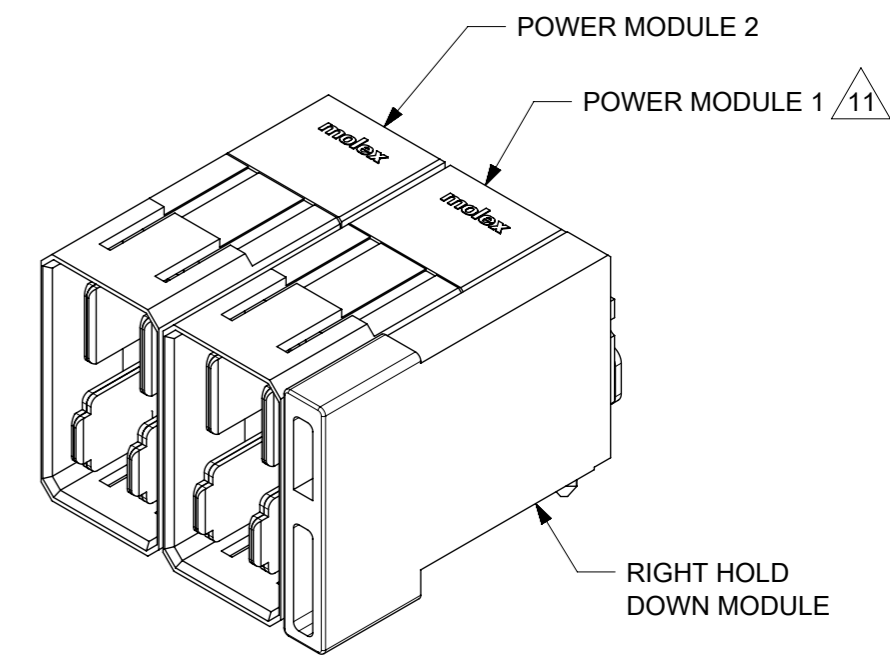
PLATING OPTION	HOLD DOWN MODULE LOCATION	*
TIN	LEFT	1
	RIGHT	2

POWER MODULE 2		
*	BLADE LENGTH	
	P1	P2
0	MODULE NOT PRESENT	
1	6.90	6.90
2	5.70	5.70
3	6.90	5.70
4	5.70	6.90

POWER MODULE 1		
*	BLADE LENGTH	
	P1	P2
1	6.90	6.90
2	5.70	5.70
3	6.90	5.70
4	5.70	6.90



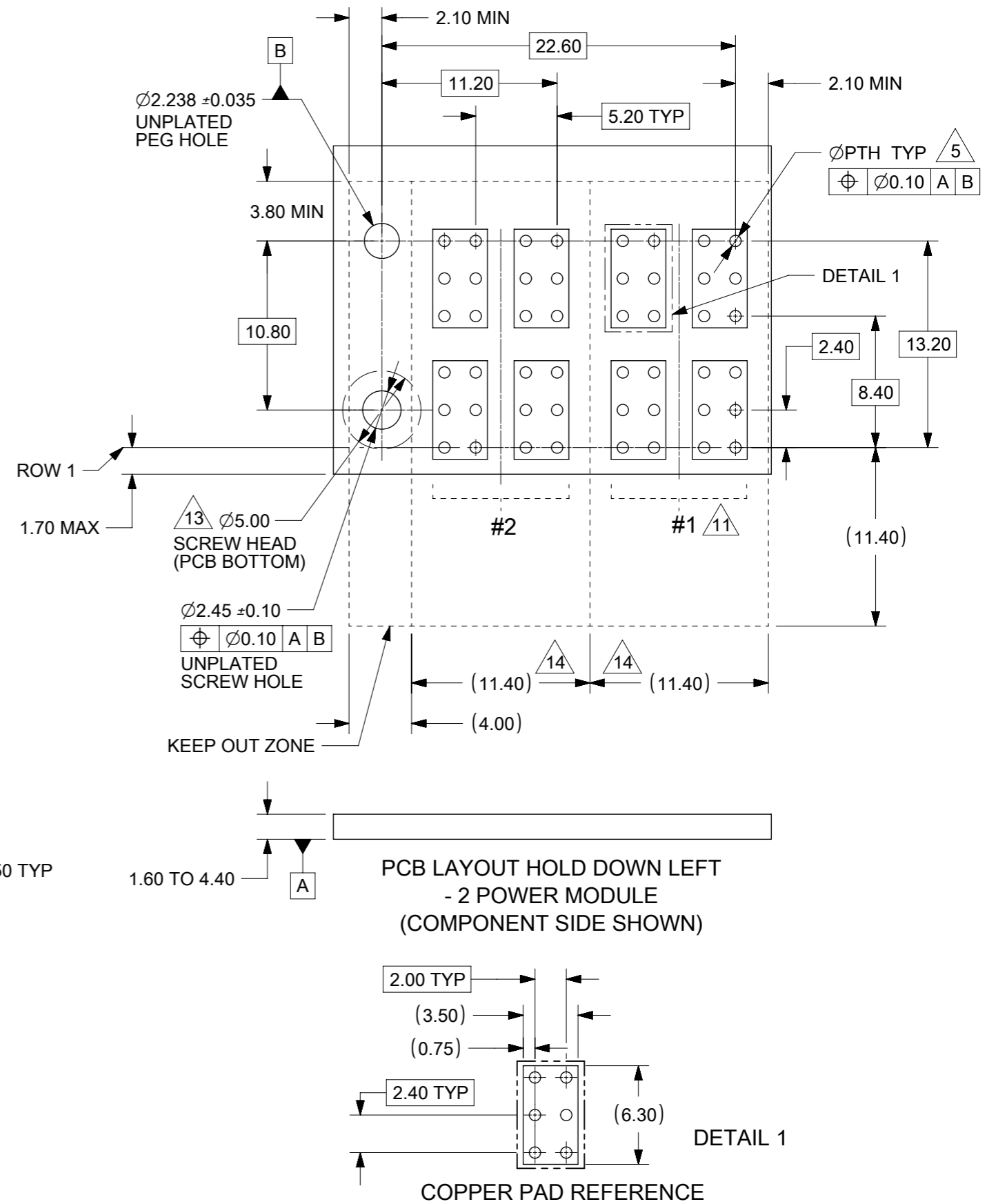
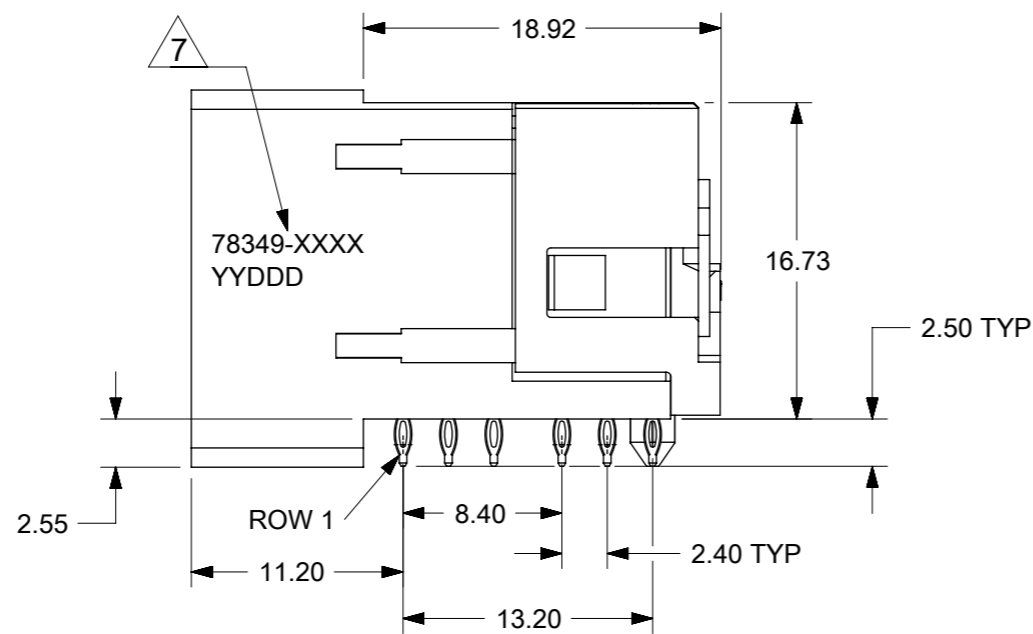
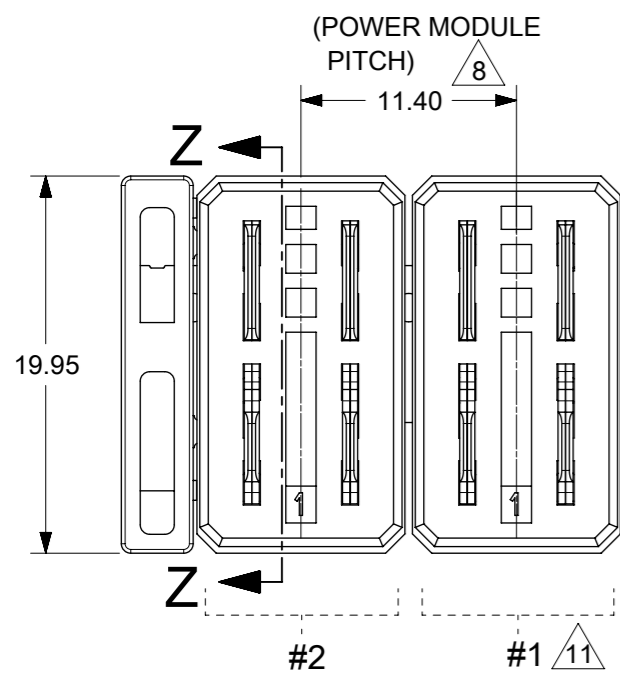
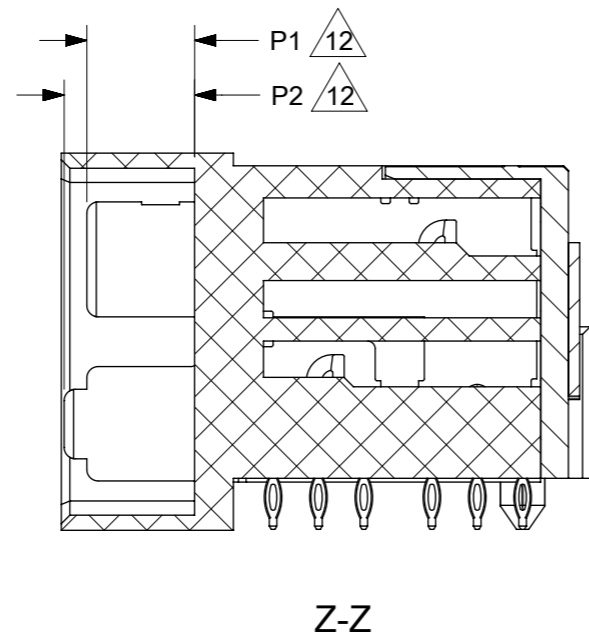
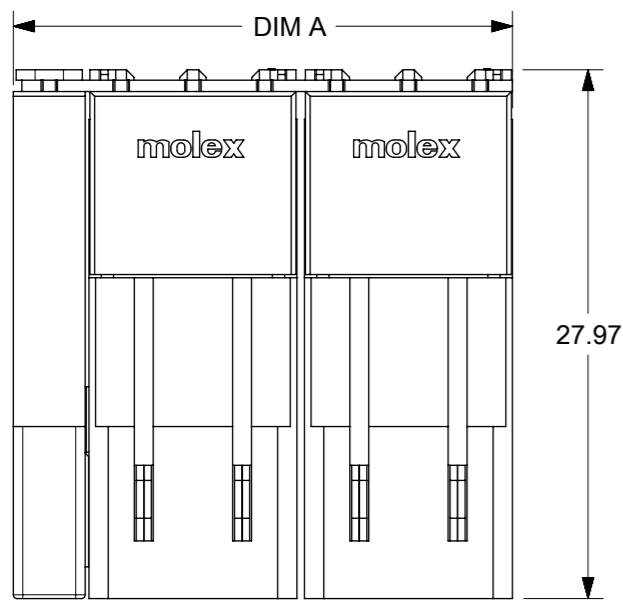
HEADER WITH LEFT HOLD DOWN (FIG. 1) 9



HEADER WITH RIGHT HOLD DOWN (FIG. 2) 9

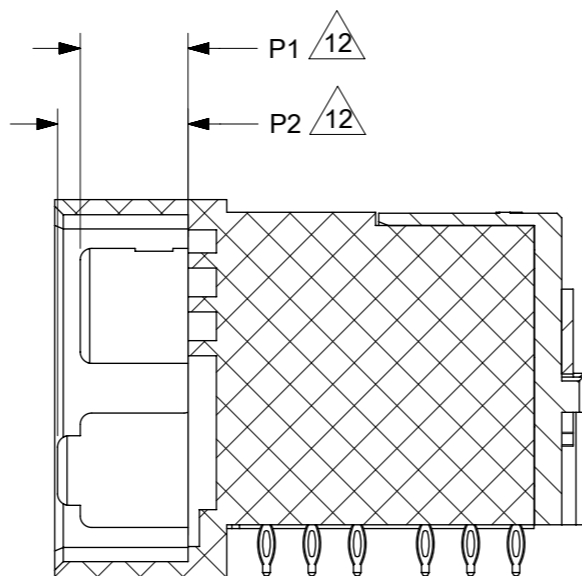
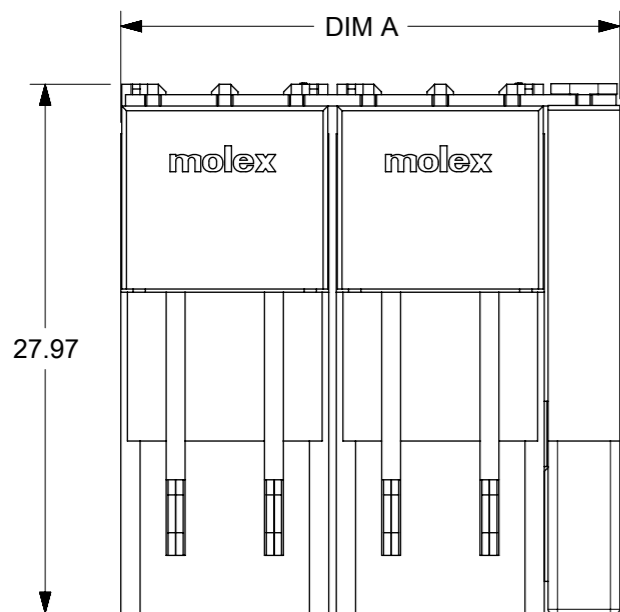
THIS DRAWING CONTAINS INFORMATION THAT IS PROPRIETARY TO MOLEX ELECTRONIC TECHNOLOGIES, LLC AND SHOULD NOT BE USED WITHOUT WRITTEN PERMISSION		CURRENT REV DESC: MIGRATED TO NX		molex	
DIMENSION UNITS	SCALE				
mm	NTS			IMPACT POWER, 4 PAIR HEADER WITH HOLD DOWN PRESS FIT	
GENERAL TOLERANCES (UNLESS SPECIFIED)					
ANGULAR TOL	± 3.0 °	EC NO:	611162	PRODUCT CUSTOMER DRAWING	
4 PLACES	±	DRWN:	BREVANSIDDAB 2019/01/07		
3 PLACES	±	CHK'D:	ABN 2019/02/01		
2 PLACES	± 0.25	APPR:	CWANG25 2019/02/27	DOCUMENT NUMBER SD-78349-001	
1 PLACE	±	INITIAL REVISION:			
0 PLACES	±	DRWN:	LNG 2010/12/28	PSD	001
DRAFT WHERE APPLICABLE MUST REMAIN WITHIN DIMENSIONS		APPR:	SHONG 2011/02/08	SHEET NUMBER	B6
THIRD ANGLE PROJECTION		DRAWING	A3-SIZE	MATERIAL NUMBER	CUSTOMER
		SERIES	78349	SEE TABLE	SGI
				1 OF 5	

LEFT HOLD DOWN OPTION

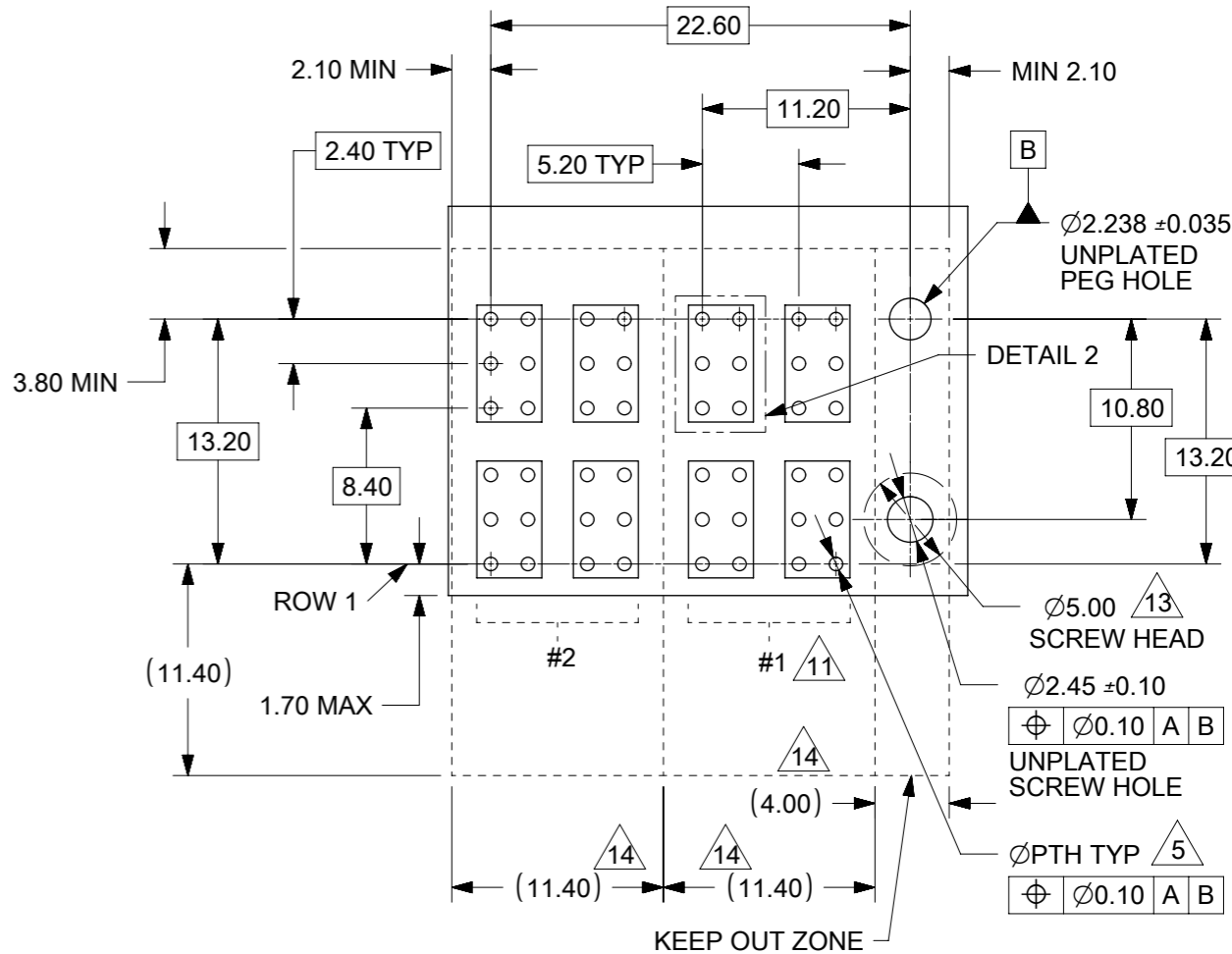
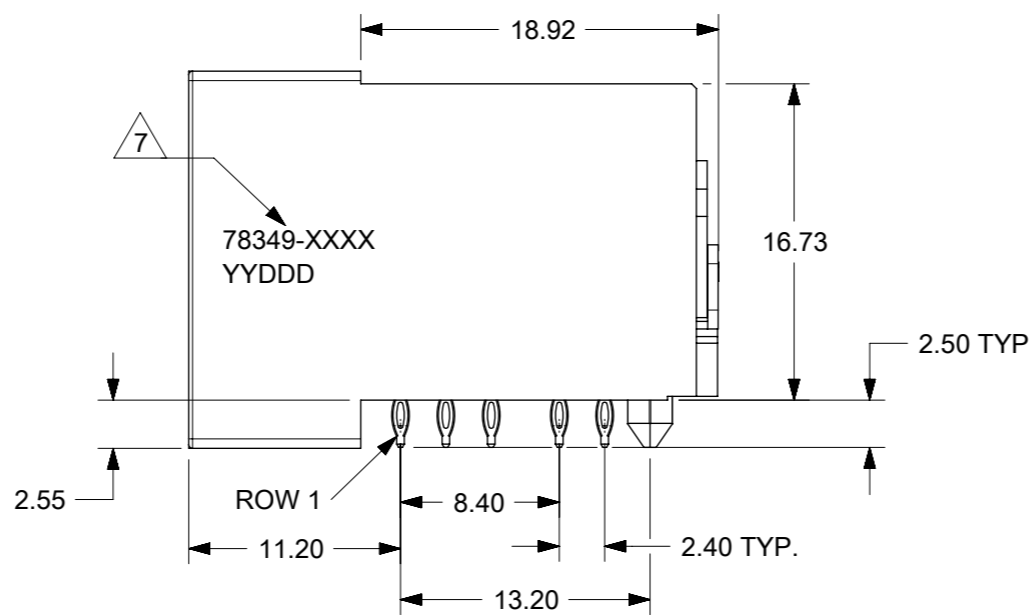
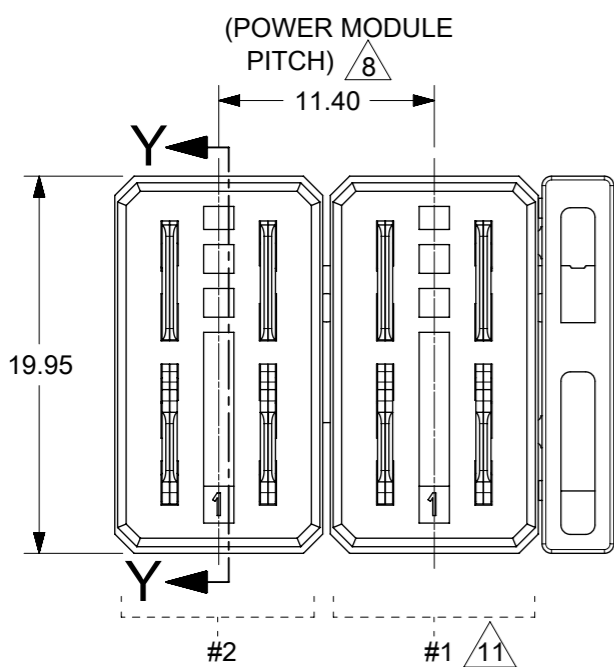


THIS DRAWING CONTAINS INFORMATION THAT IS PROPRIETARY TO MOLEX ELECTRONIC TECHNOLOGIES, LLC AND SHOULD NOT BE USED WITHOUT WRITTEN PERMISSION		CURRENT REV DESC: MIGRATED TO NX		molex	
DIMENSION UNITS mm	SCALE NTS				
GENERAL TOLERANCES (UNLESS SPECIFIED)		EC NO: 611162		PRODUCT CUSTOMER DRAWING	
ANGULAR TOL ± 3.0°		DRWN: BREVANSIDDAB 2019/01/07		DOCUMENT NUMBER SD-78349-001	
4 PLACES ±		CHK'D: ABN 2019/02/01		DOC TYPE DOC PART REVISION PSD 001 B6	
3 PLACES ±		APPR: CWANG25 2019/02/27		MATERIAL NUMBER SEE TABLE	
2 PLACES ± 0.25		INITIAL REVISION:		CUSTOMER SGI	
1 PLACE ±		DRWN: LNG 2010/12/28		SHEET NUMBER 2 OF 5	
0 PLACES ±		APPR: SHONG 2011/02/08			
DRAFT WHERE APPLICABLE MUST REMAIN WITHIN DIMENSIONS		THIRD ANGLE PROJECTION	DRAWING A3-SIZE	SERIES 78349	

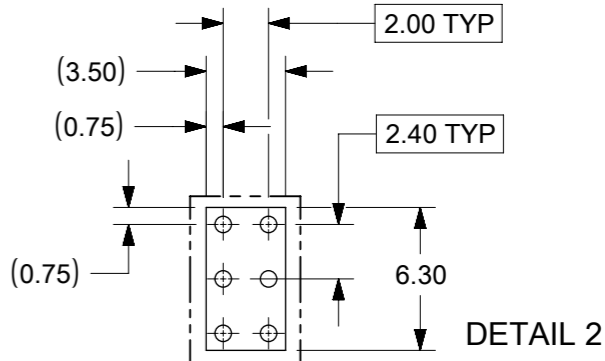
RIGHT HOLD DOWN OPTION



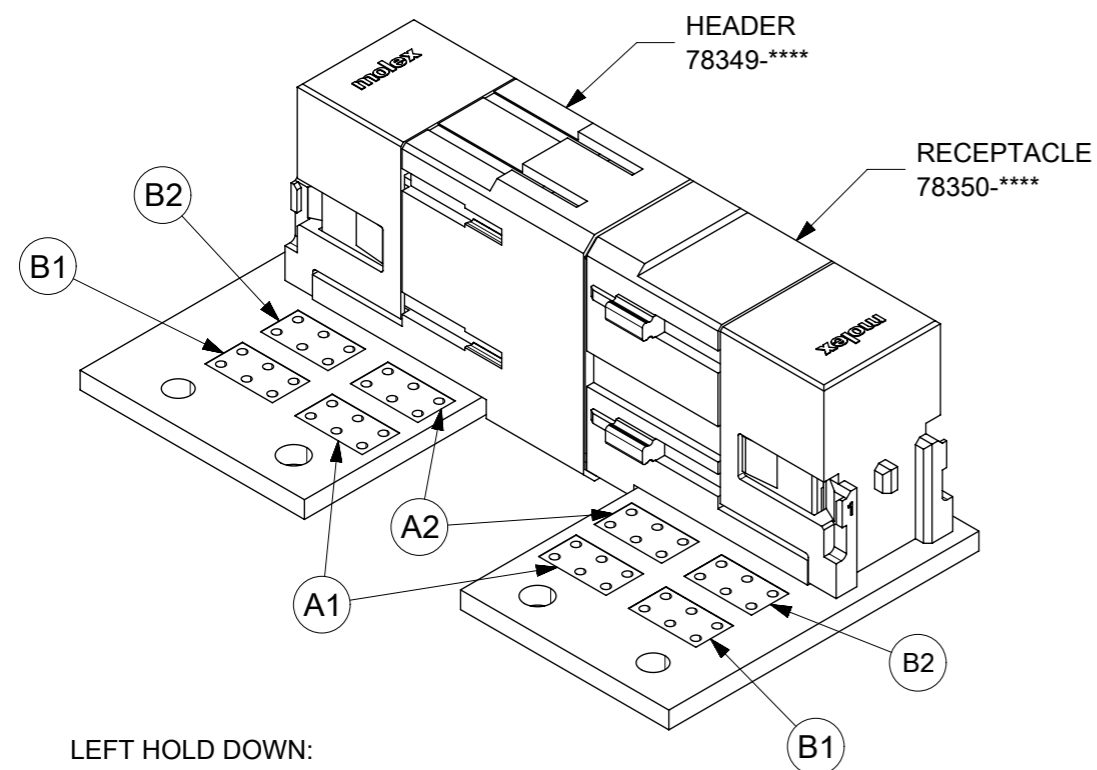
SECTION Y-Y



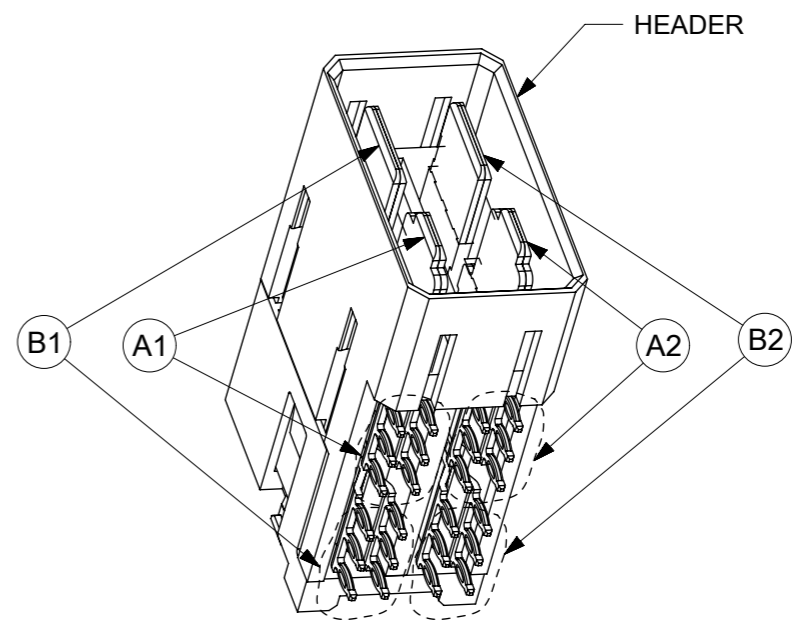
PCB LAYOUT HOLD DOWN RIGHT
- 2 POWER MODULE (8)
(COMPONENT SIDE SHOWN)



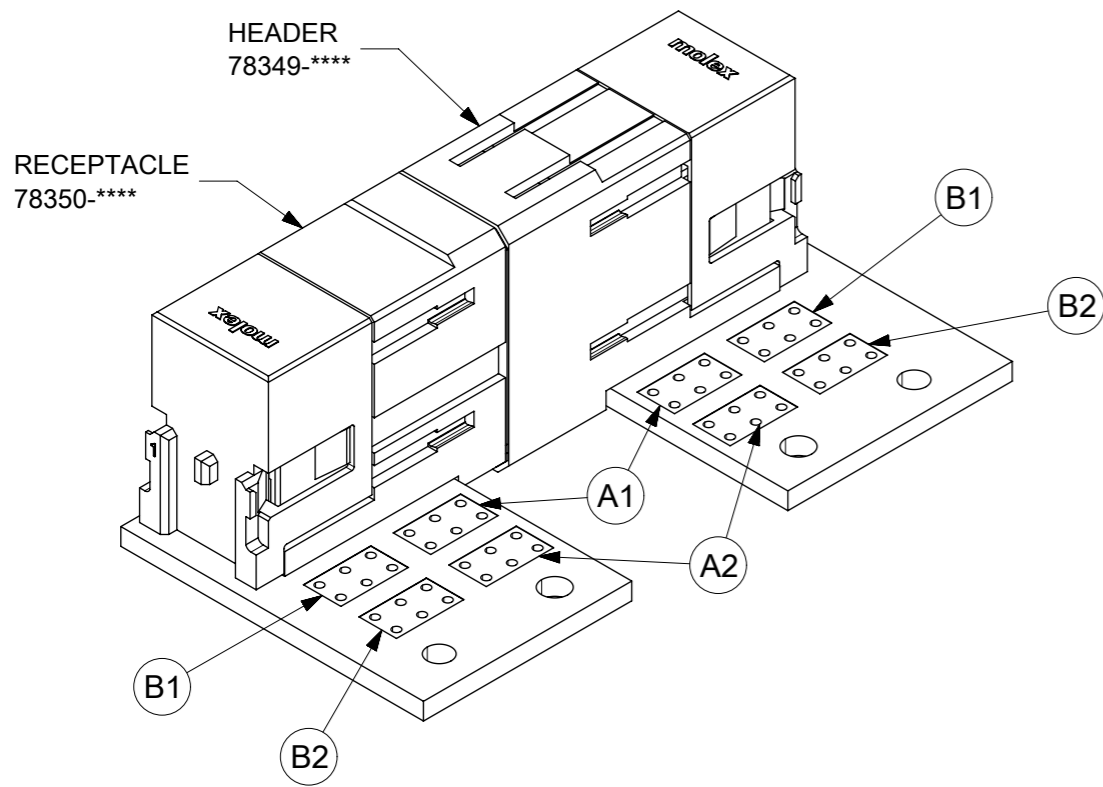
THIS DRAWING CONTAINS INFORMATION THAT IS PROPRIETARY TO MOLEX ELECTRONIC TECHNOLOGIES, LLC AND SHOULD NOT BE USED WITHOUT WRITTEN PERMISSION		CURRENT REV DESC: MIGRATED TO NX		molex	
DIMENSION UNITS	SCALE				
mm	NTS			IMPACT POWER, 4 PAIR HEADER WITH HOLD DOWN PRESS FIT	
GENERAL TOLERANCES (UNLESS SPECIFIED)				PRODUCT CUSTOMER DRAWING	
ANGULAR TOL	± 3.0°	EC NO:	611162	DOCUMENT NUMBER	
4 PLACES	±	DRWN:	BREVANSIDDAB 2019/01/07	SD-78349-001	
3 PLACES	±	CHK'D:	ABN 2019/02/01	DOC TYPE	DOC PART
2 PLACES	± 0.25	APPR:	CWANG25 2019/02/27	PSD	001
1 PLACE	±	INITIAL REVISION:		REVISION	
0 PLACES	±	DRWN:	LNG 2010/12/28	B6	
DRAFT WHERE APPLICABLE MUST REMAIN WITHIN DIMENSIONS		THIRD ANGLE PROJECTION	DRAWING	SERIES	MATERIAL NUMBER
			A3-SIZE	78349	CUSTOMER
					SGI
					SHEET NUMBER
					3 OF 5



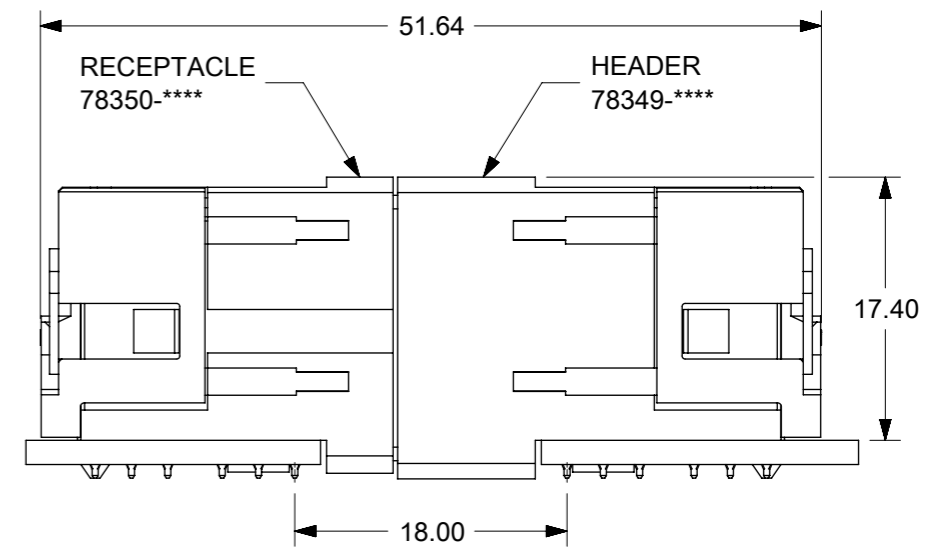
LEFT HOLD DOWN:
1 POWER MODULE AND HOLD DOWN REMOVED TO
ILLUSTRATE CIRCUIT PATH OF MATED SYSTEM




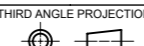
PIN NUMBER ASSIGNMENT BASED ON HEADER SIDE:
A1, B1 ON THE LEFT,
A2, B2 ON THE RIGHT.

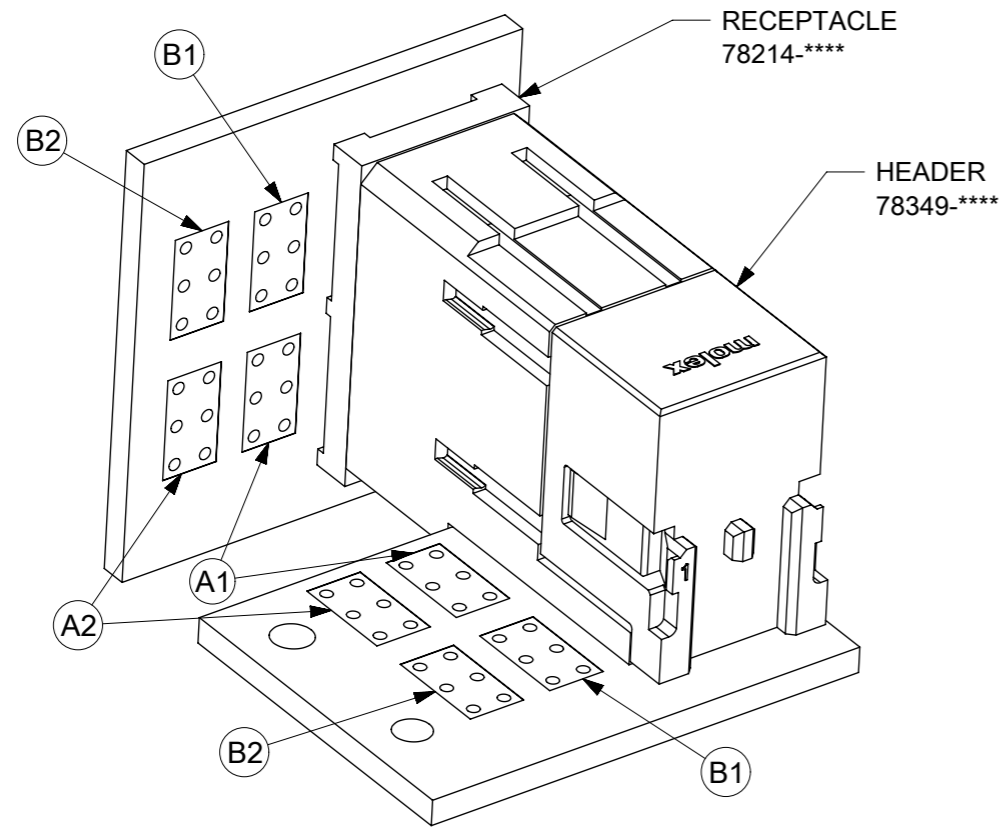


RIGHT HOLD DOWN:
1 POWER MODULE AND HOLD DOWN REMOVED TO
ILLUSTRATE CIRCUIT PATH OF MATED SYSTEM

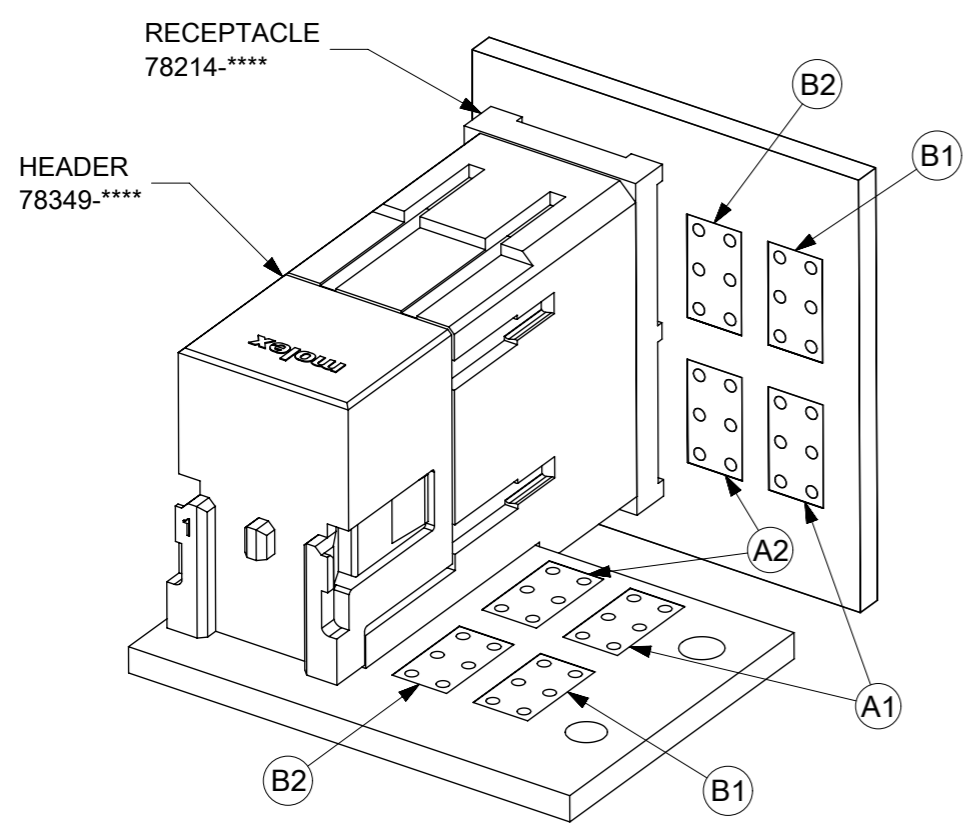


MATED SYSTEM OF 78349 & 78350

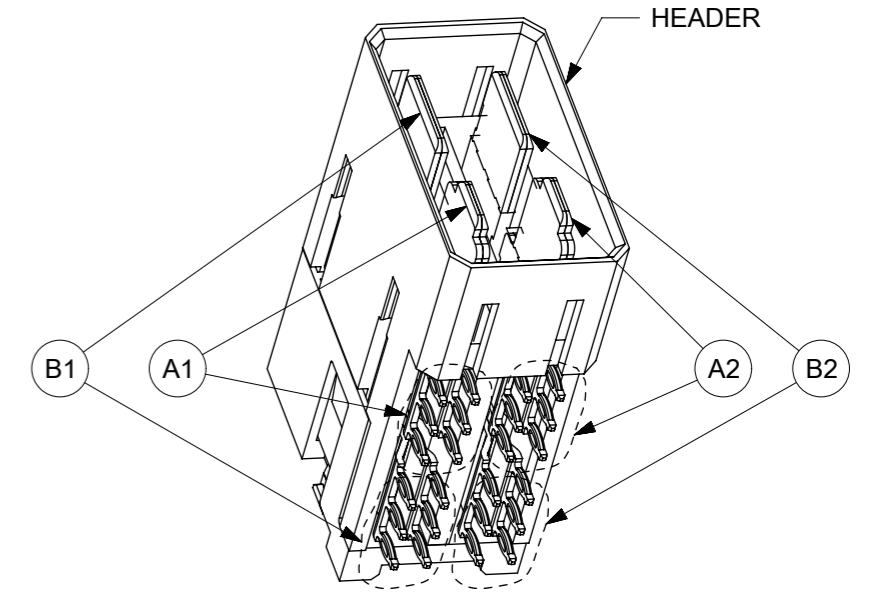
THIS DRAWING CONTAINS INFORMATION THAT IS PROPRIETARY TO MOLEX ELECTRONIC TECHNOLOGIES, LLC AND SHOULD NOT BE USED WITHOUT WRITTEN PERMISSION												
DIMENSION UNITS		SCALE		CURRENT REV DESC: MIGRATED TO NX								
mm		NTS		 IMPACT POWER, 4 PAIR HEADER WITH HOLD DOWN PRESS FIT PRODUCT CUSTOMER DRAWING								
GENERAL TOLERANCES (UNLESS SPECIFIED)												
ANGULAR TOL		± 3.0 °										
4 PLACES		±										
3 PLACES		±										
2 PLACES		± 0.25										
1 PLACE		±		INITIAL REVISION:		DOCUMENT NUMBER		DOC TYPE	DOC PART	REVISION		
0 PLACES		±		DRWN: LNG		2010/12/28		SD-78349-001		PSD	001	B6
DRAFT WHERE APPLICABLE MUST REMAIN WITHIN DIMENSIONS		THIRD ANGLE PROJECTION		DRAWING		SERIES		MATERIAL NUMBER		CUSTOMER		SHEET NUMBER
				A3-SIZE		78349		SEE TABLE		SGI		4 OF 5



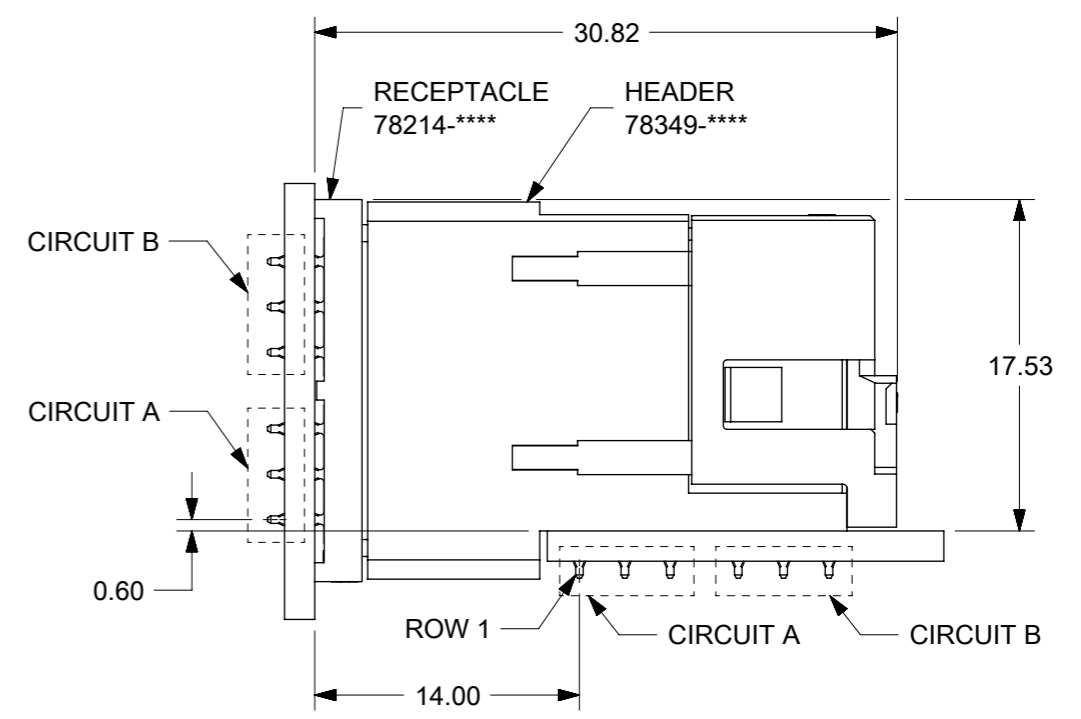
RIGHT HOLD DOWN:
1 POWER MODULE AND HOLD DOWN REMOVED TO
ILLUSTRATE CIRCUIT PATH OF MATED SYSTEM



LEFT HOLD DOWN:
1 POWER MODULE AND HOLD DOWN REMOVED TO
ILLUSTRATE CIRCUIT PATH OF MATED SYSTEM



PIN NUMBER ASSIGNMENT BASED ON HEADER SIDE:
A1, B1 ON THE LEFT,
A2, B2 ON THE RIGHT.



MATED SYSTEM FOR 78349 & 78214

THIS DRAWING CONTAINS INFORMATION THAT IS PROPRIETARY TO MOLEX ELECTRONIC TECHNOLOGIES, LLC AND SHOULD NOT BE USED WITHOUT WRITTEN PERMISSION		CURRENT REV DESC: MIGRATED TO NX		molex	
DIMENSION UNITS	SCALE				
mm	NTS			PRODUCT CUSTOMER DRAWING	
GENERAL TOLERANCES (UNLESS SPECIFIED)		EC NO: 611162		DOCUMENT NUMBER	
ANGULAR TOL ± 3.0°		DRWN: BREVANSIDDAB 2019/01/07		SD-78349-001	
4 PLACES ±		CHK'D: ABN 2019/02/01		DOC TYPE DOC PART REVISION	
3 PLACES ±		APPR: CWANG25 2019/02/27		PSD 001 B6	
2 PLACES ± 0.25		INITIAL REVISION:		MATERIAL NUMBER	
1 PLACE ±		DRWN: LNG 2010/12/28		CUSTOMER	
0 PLACES ±		APPR: SHONG 2011/02/08		SGI	
DRAFT WHERE APPLICABLE MUST REMAIN WITHIN DIMENSIONS		THIRD ANGLE PROJECTION	DRAWING	SERIES	SHEET NUMBER
			A3-SIZE	78349	5 OF 5