

MATERIALS AND FINISHES:

SEE PSD-85305-0232

73415-6183	85305-0232, TAPE AND REEL WITH KAPTON TAPE	1K PER REEL	1K PER CARTON
73415-6182	85305-0232, TAPE AND REEL	1K PER REEL	1K PER CARTON
73415-6181	85305-0232, TAPE AND REEL WITH KAPTON TAPE	1K PER REEL	7K PER CARTON
73415-6180	85305-0232, ONE PER BAG	ONE PER BAG	500 PER CARTON
PART NO.	PACKAGING	QUANTITY	

A4	2019/11/26	ADD -6183 PER EWR #13478-A
REV	DATE	DESCRIPTION

THIS DRAWING CONTAINS INFORMATION THAT IS PROPRIETARY TO MOLEX ELECTRONIC TECHNOLOGIES, LLC AND SHOULD NOT BE USED WITHOUT WRITTEN PERMISSION

DIMENSION UNITS	SCALE	CURRENT REV DESC:		<b>molex</b>		
INCH/MM	NTS					
GENERAL TOLERANCES (UNLESS SPECIFIED)		EC NO: 628191		SMP, PLUG SMT LIMITED DETENT SMP-P/PCB		
ANGULAR TOL ± 2.0°		DRWN: RYEH 2019/11/26				
4 PLACES ±		CHK'D: YCHENG 2019/12/06		PRODUCT CUSTOMER DRAWING		
3 PLACES ±		APPR: YCHENG 2019/12/06				
2 PLACES ± 0.25		INITIAL REVISION:		DOCUMENT NUMBER <b>SD-73415-618</b>		
1 PLACE ±		DRWN: SSHAH 2007/05/11				
0 PLACES ±		APPR: JWIENER 2007/05/11		DOC TYPE PSD		
DRAFT WHERE APPLICABLE MUST REMAIN WITHIN DIMENSIONS		THIRD ANGLE PROJECTION				
		DRAWING		REVISION <b>A4</b>		
		SERIES				
		C-SIZE		MATERIAL NUMBER SEE TABLE		
		73415				

MATERIALS AND FINISHES:

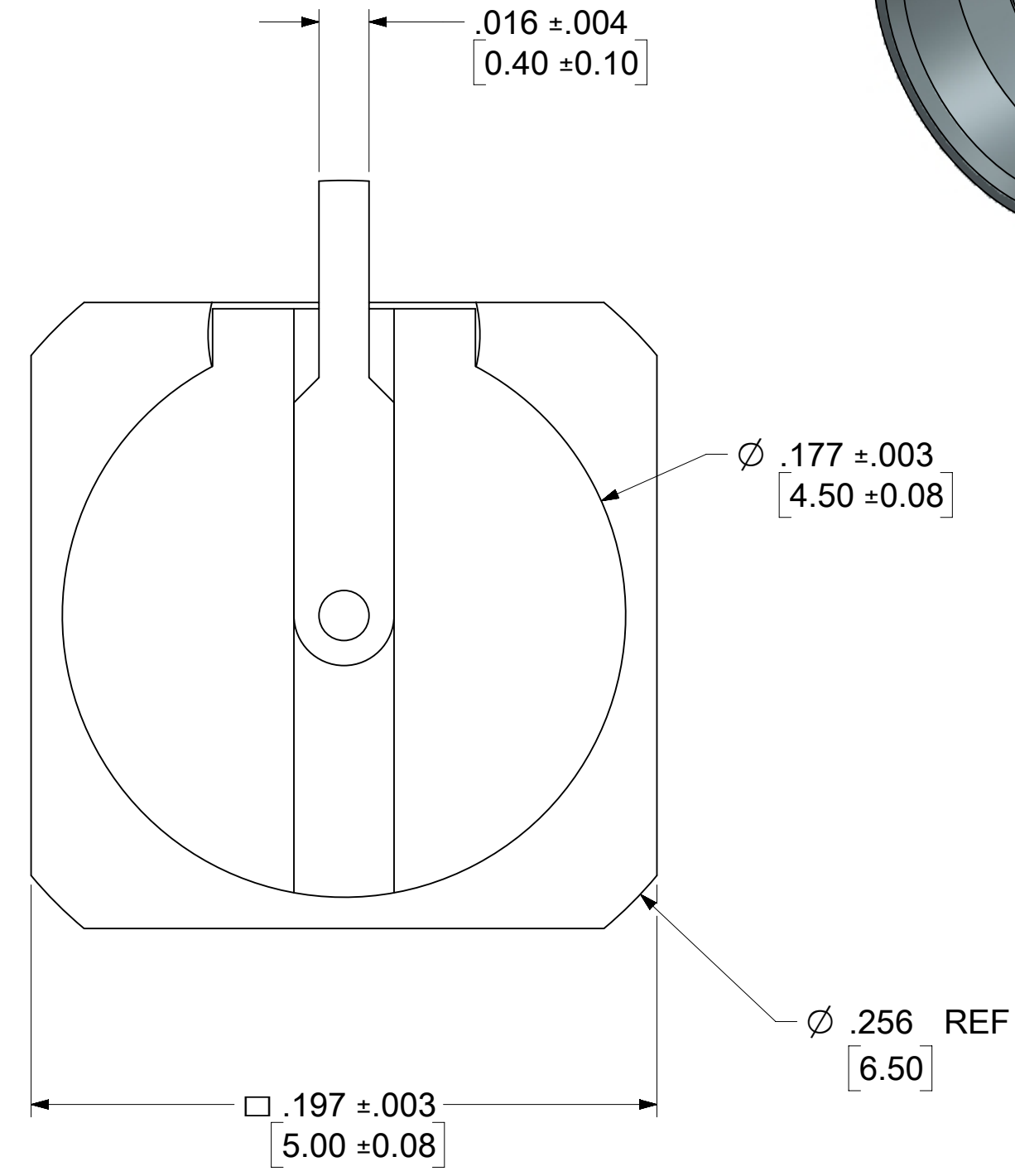
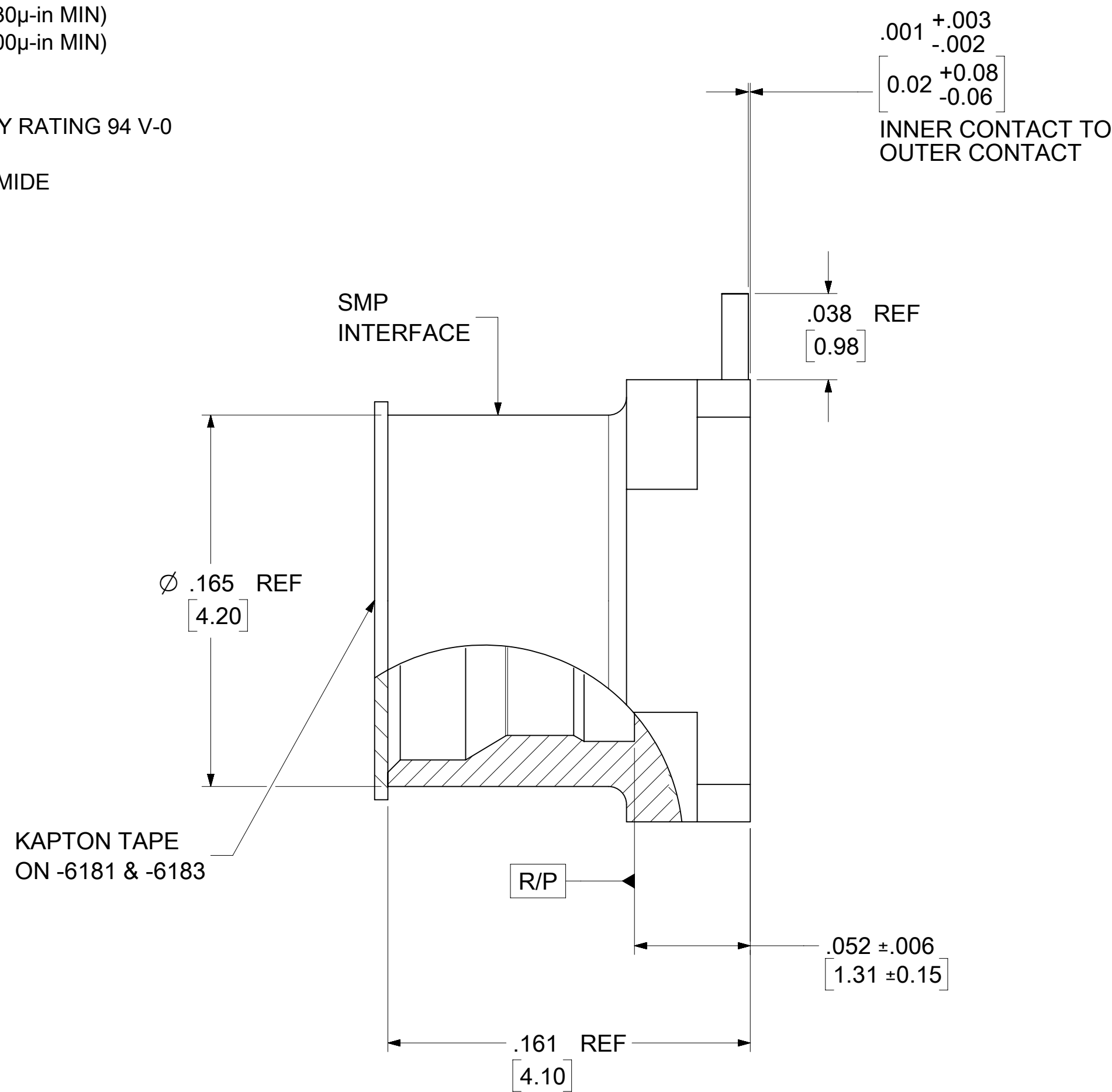
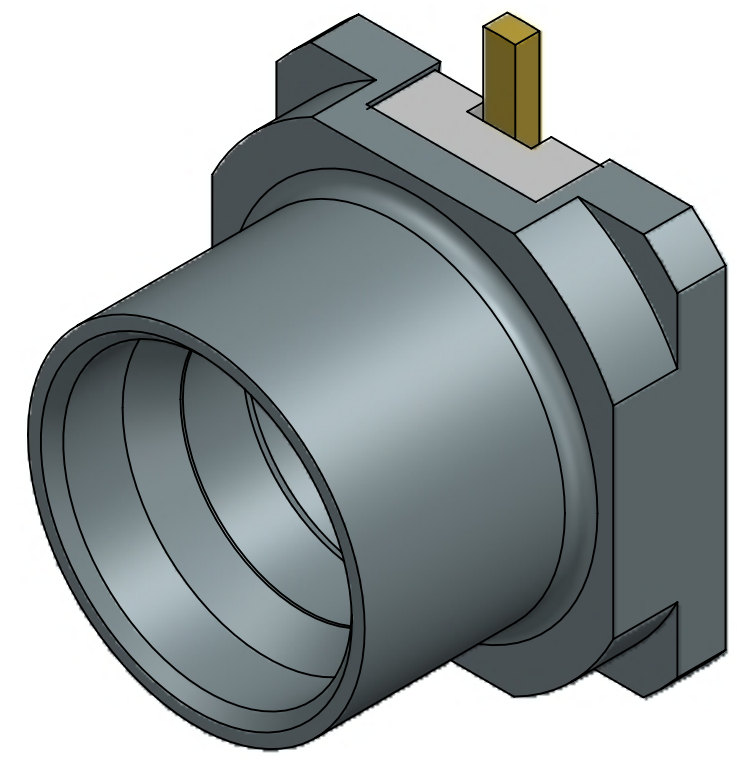
INNER & OUTER CONTACT: BRASS  
 PLATED: GOLD (30μ-in MIN)  
 OVER NICKEL (100μ-in MIN)

INSULATOR: LCP  
 UL FLAMMABILITY RATING 94 V-0

KAPTON: POLYAMIDE  
 COLOR: AMBER

TAPE: SHEET 3

REEL: SHEET 4



73415-6183	85305-0232, TAPE AND REEL WITH KAPTON TAPE	1K PER REEL	1K PER CARTON
73415-6182	85305-0232, TAPE AND REEL	1K PER REEL	1K PER CARTON
73415-6181	85305-0232, TAPE AND REEL WITH KAPTON TAPE	1K PER REEL	7K PER CARTON
73415-6180	85305-0232, ONE PER BAG	ONE PER BAG	500 PER CARTON
85305-0232	TAPE AND REEL	1K PER REEL	7K PER CARTON
PART NO.	PACKAGING	QUANTITY	

PS-89675-3320	PRODUCT SPECIFICATION
MIL-STD-248, FIG 326-3	INTERFACE, SMP, LIMITED DETENT
SPECIFICATION	DESCRIPTION

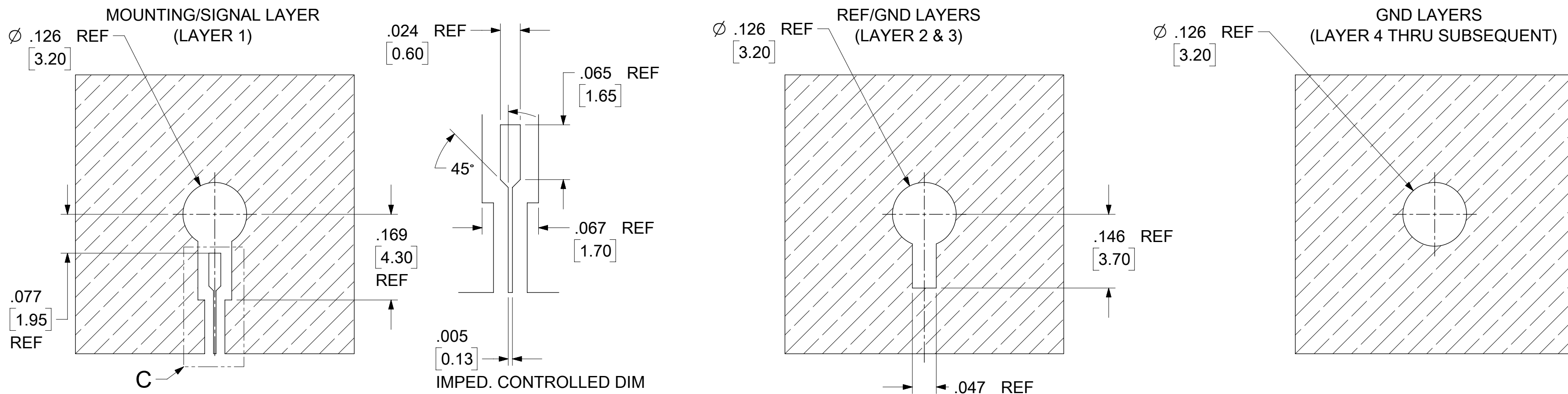
DOCUMENT STATUS	P1	RELEASE DATE	2023/02/06 04:17:23
-----------------	----	--------------	---------------------

THIS DRAWING CONTAINS INFORMATION THAT IS PROPRIETARY TO MOLEX ELECTRONIC TECHNOLOGIES, LLC AND SHOULD NOT BE USED WITHOUT WRITTEN PERMISSION

DIMENSION UNITS	SCALE	CURRENT REV DESC: SHOW BOX SIZE AND QTY IN THE BOX PER EWR #15646-A	<b>molex</b>		
INCH/MM	NTS				
GENERAL TOLERANCES (UNLESS SPECIFIED)			SMP, PLUG SMT LIMITED DETENT SMP-P/PCB, EWR-11818		
	MM	INCH			
4 PLACES	±	±	EC NO: 737089	2023/01/19	
3 PLACES	±	± 0.005	DRWN: RYEH	2023/02/06	
2 PLACES	±	± 0.13	CHK'D: YCHENG	2023/02/06	
1 PLACE	±	± 0.25	APPR: YCHENG	2023/02/06	
0 PLACES	±	±	INITIAL REVISION:		
ANGULAR TOL	±	± 2.0 °	DRWN: AROBERTSON	2005/07/29	
DRAFT WHERE APPLICABLE MUST REMAIN WITHIN DIMENSIONS			APPR: JWIENER	2005/08/01	
THIRD ANGLE PROJECTION			DRAWING	SERIES	DOCUMENT NUMBER
			C-SIZE	85305	SD-85305-0232
			CUSTOMER	SHEET NUMBER	DOC TYPE   DOC PART   REVISION
			SEE TABLE	1 OF 5	PSD   001   B18

# PCB CONNECTOR LAUNCH / PAD (FOR REFERENCE ONLY)

ALL HATCHED SURFACES SHOWN BELOW ARE COPPER (Cu)



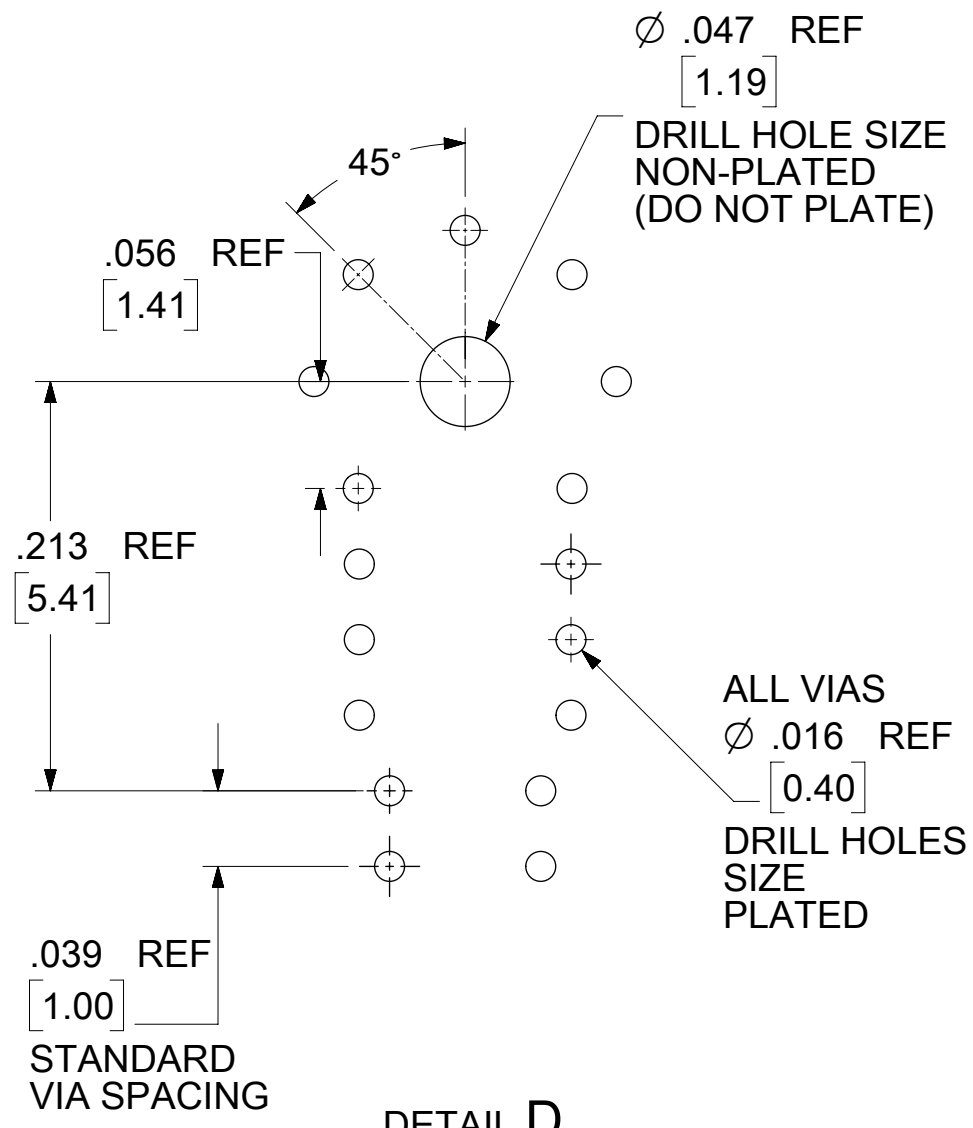
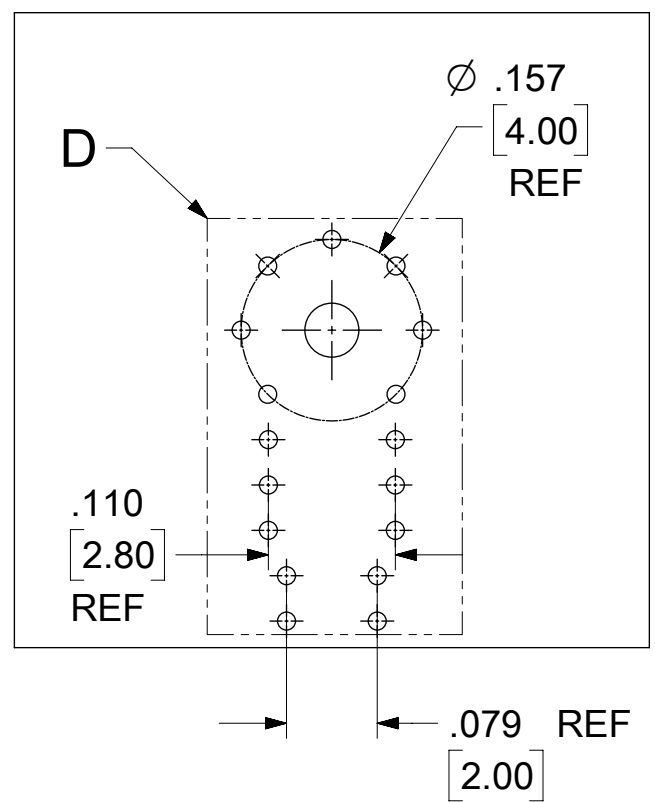
DETAIL C

## PCB STACK UP

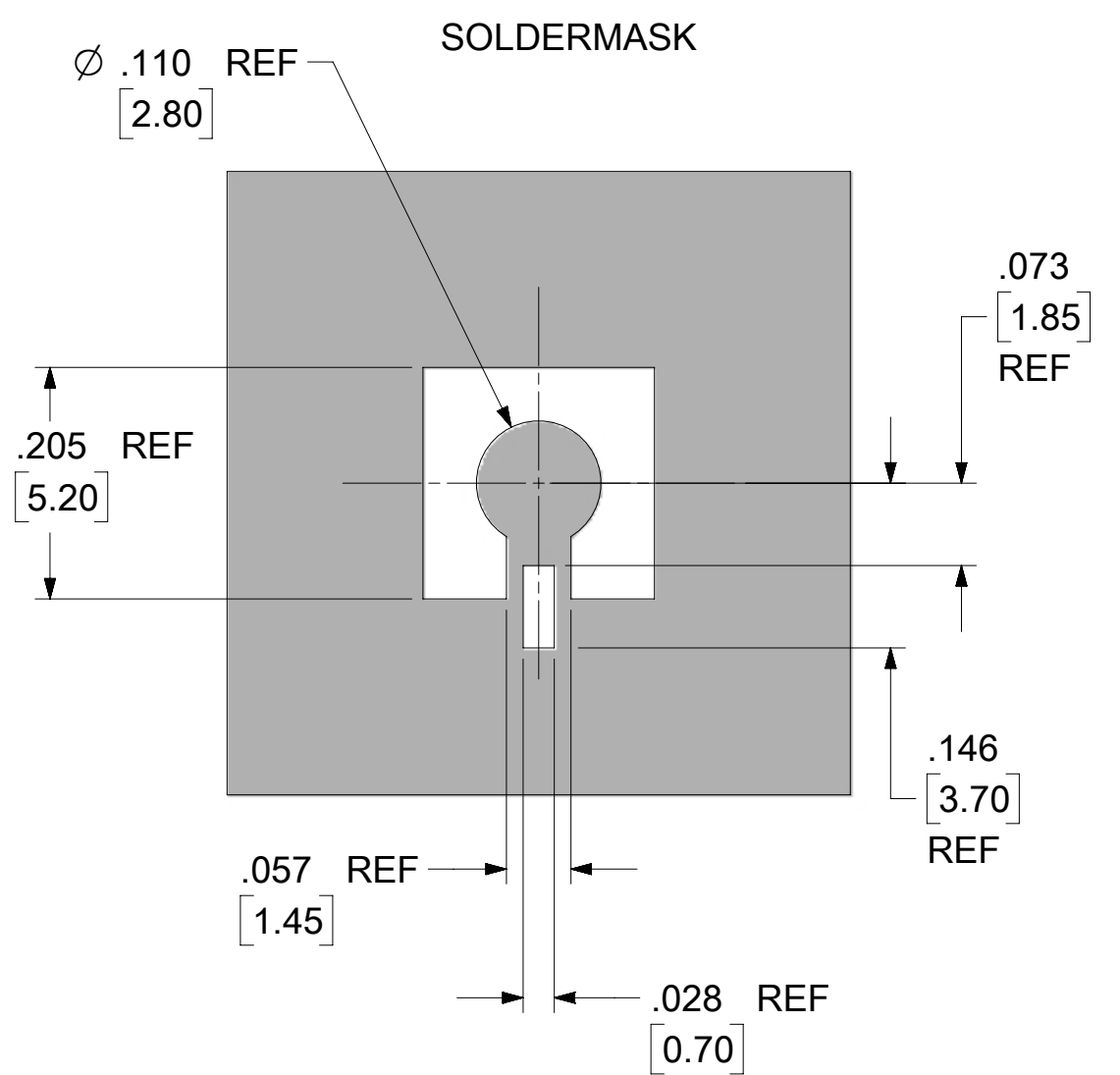
LAYER	MATERIAL	Dk	THICKNESS (MM)
1	1/2 oz. Cu + PLATING		0.0434
	ISOLA FR408	3.67	0.07
2	1/2 oz. Cu		0.018
	ISOLA FR408	3.67	0.1464
3	1/2 oz. Cu		0.018
	ISOLA FR408	3.67	0.6784
4*	1/2 oz. Cu		0.018

\* SUBSEQUENT LAYERS MAY BE ADDED AS REQUIRED FOR INDIVIDUAL APPLICATIONS

## VIAS AND THRU HOLES



DETAIL D



## TYPICAL PERFORMANCE CHARACTERISTICS WITH CONNECTOR AND PCB LAUNCH SHOWN

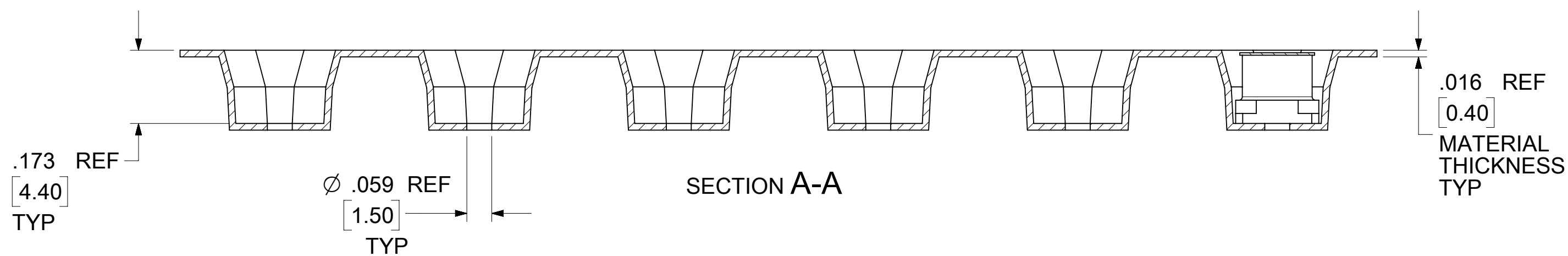
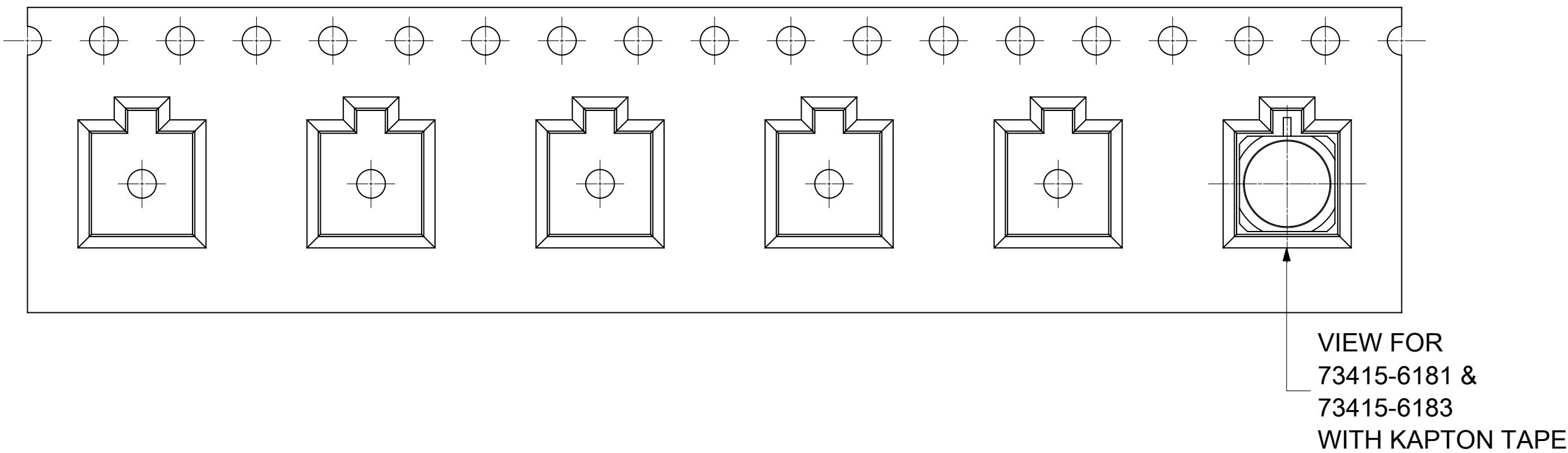
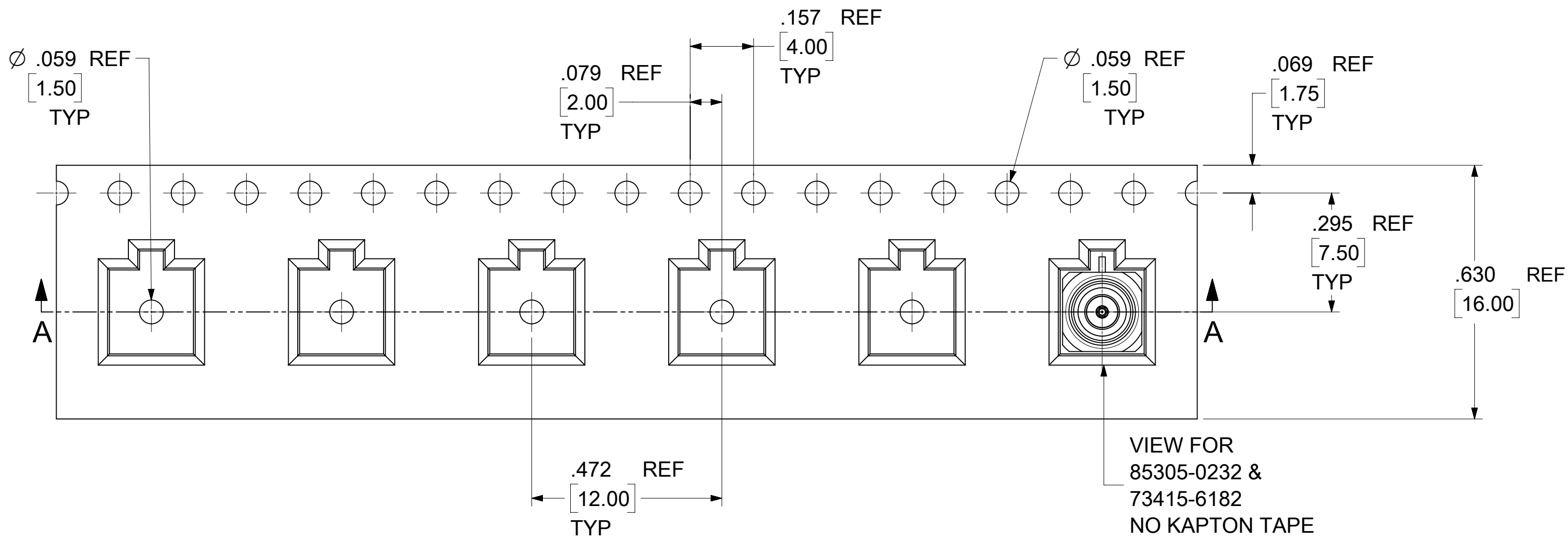
Typical Return Loss	FREQUENCY BAND
20dB	DC TO 18GHz

VARYING PCB STACKUPS AND PCB LAUNCH WILL RESULT IN VARYING RESULTS

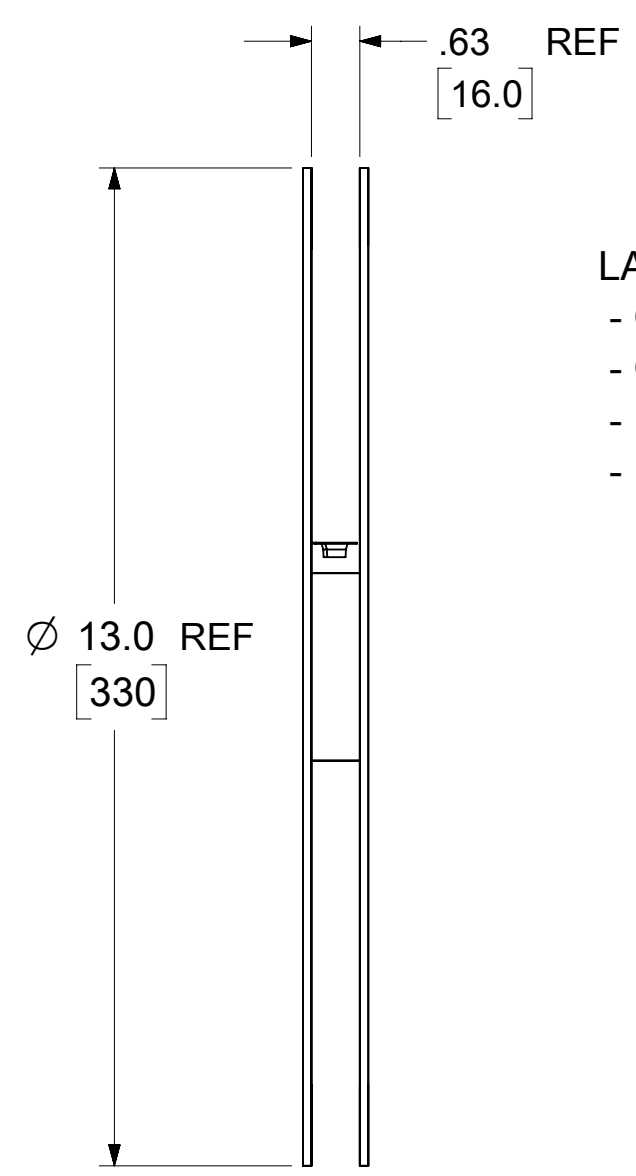
CONTACT MOLEX RF / MICROWAVE FOR APPLICATION SPECIFIC ASSISTANCE

THIS DRAWING CONTAINS INFORMATION THAT IS PROPRIETARY TO MOLEX ELECTRONIC TECHNOLOGIES, LLC AND SHOULD NOT BE USED WITHOUT WRITTEN PERMISSION

DIMENSION UNITS <b>INCH/MM</b>	SCALE <b>NTS</b>	CURRENT REV DESC: SHOW BOX SIZE AND QTY IN THE BOX PER EWR #15646-A	<b>molex</b>		
GENERAL TOLERANCES (UNLESS SPECIFIED)					
4 PLACES	±	±	SMP, PLUG SMT LIMITED DETENT SMP-P/PCB, EWR-11818		
3 PLACES	±	± 0.005	PRODUCT CUSTOMER DRAWING		
2 PLACES	± 0.13	± 0.01	DOCUMENT NUMBER		
1 PLACE	± 0.25	±	SD-85305-0232		
0 PLACES	±	±	DOC TYPE DOC PART REVISION		
ANGULAR TOL	± 2.0 °		PSD 001 B18		
DRAFT WHERE APPLICABLE MUST REMAIN WITHIN DIMENSIONS	THIRD ANGLE PROJECTION	DRAWING	SERIES	MATERIAL NUMBER	CUSTOMER
		C-SIZE	85305	SEE TABLE	
					SHEET NUMBER
					2 OF 5

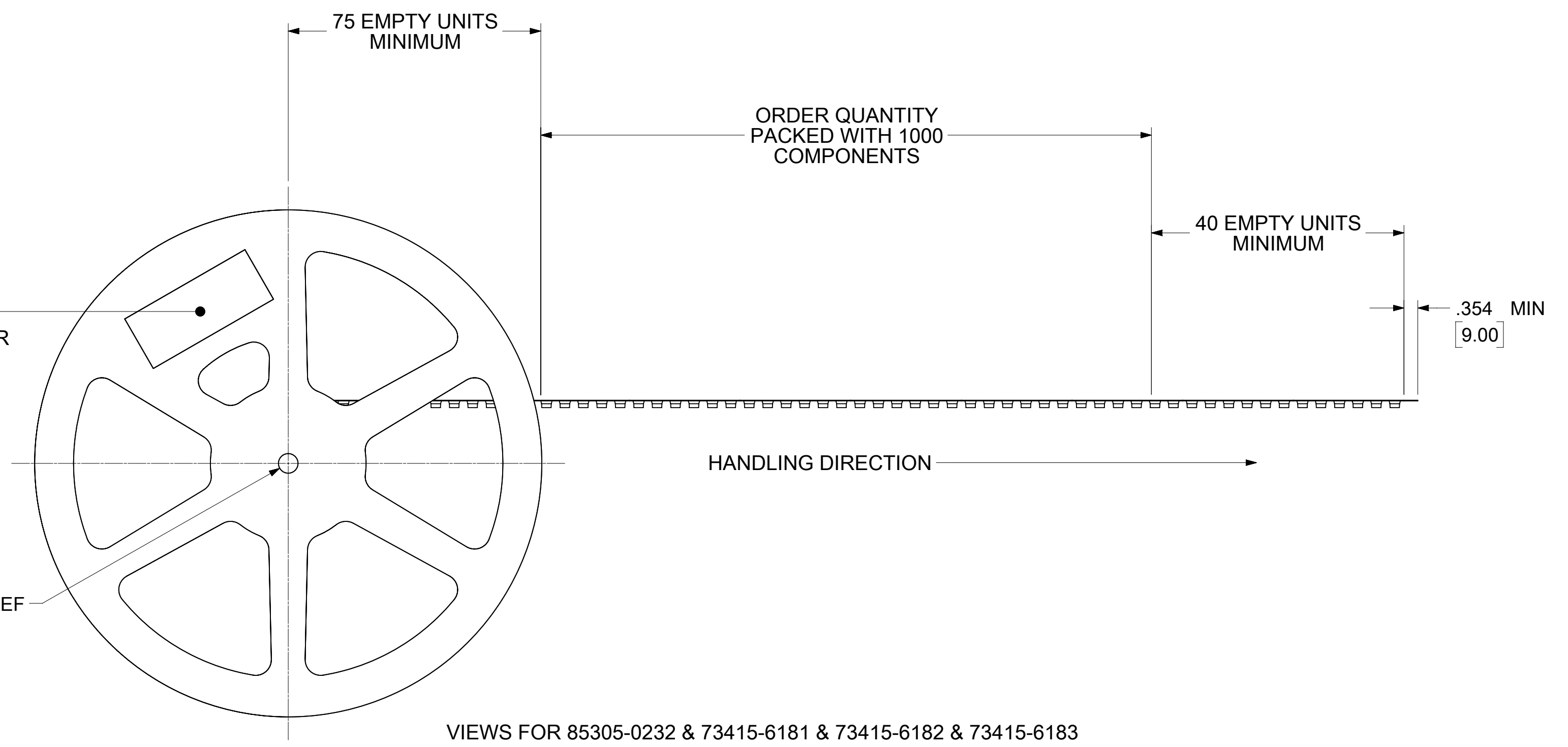


THIS DRAWING CONTAINS INFORMATION THAT IS PROPRIETARY TO MOLEX ELECTRONIC TECHNOLOGIES, LLC AND SHOULD NOT BE USED WITHOUT WRITTEN PERMISSION									
DIMENSION UNITS <b>INCH/MM</b>		SCALE <b>NTS</b>		CURRENT REV DESC: SHOW BOX SIZE AND QTY IN THE BOX PER EWR #15646-A			<b>molex</b>		
GENERAL TOLERANCES (UNLESS SPECIFIED)				EC NO: 737089					
4 PLACES		±	±	DRWN: RYEH			2023/01/19		
3 PLACES		±	± 0.005	CHK'D: YCHENG			2023/02/06		
2 PLACES		± 0.13	± 0.01	APPR: YCHENG			2023/02/06		
1 PLACE		± 0.25	±	INITIAL REVISION:			PRODUCT CUSTOMER DRAWING		
0 PLACES		±	±	DRWN: AROBERTSON			DOCUMENT NUMBER		
ANGULAR TOL		± 2.0 °		APPR: JWIENER			SD-85305-0232		
DRAFT WHERE APPLICABLE MUST REMAIN WITHIN DIMENSIONS		THIRD ANGLE PROJECTION		DRAWING		SERIES		MATERIAL NUMBER	
				C-SIZE		85305		SEE TABLE	
								CUSTOMER	
								SHEET NUMBER	
								3 OF 5	

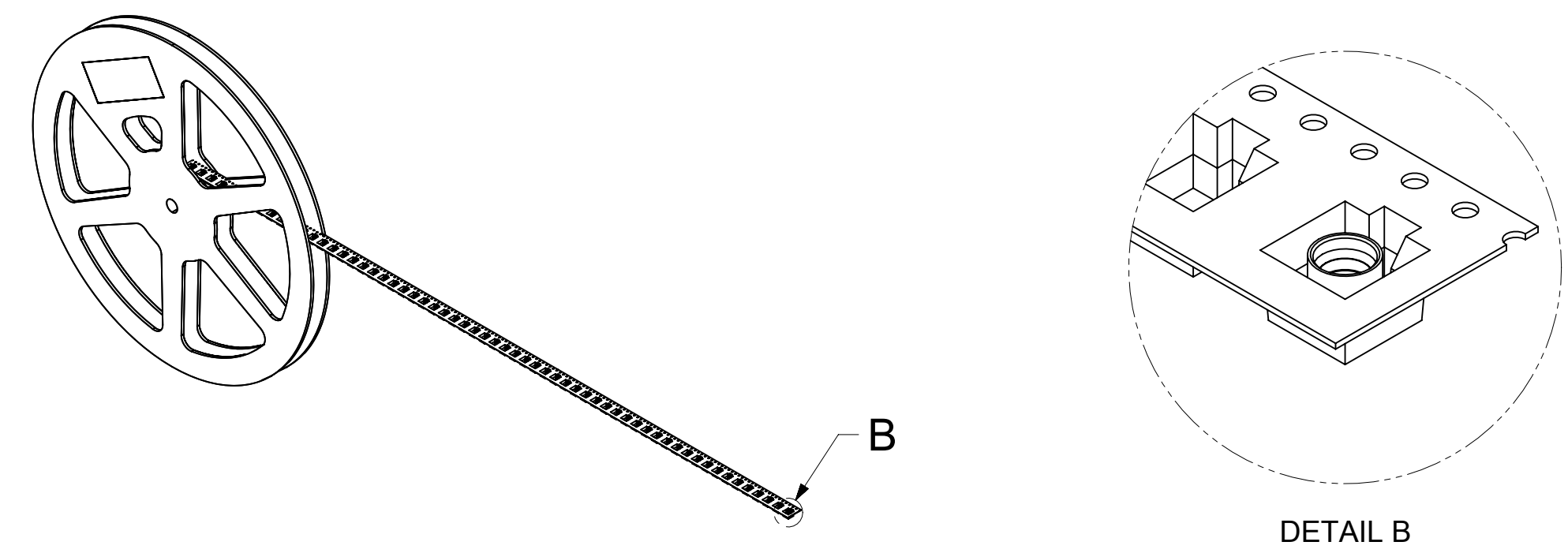


LABEL:  
 - ORDER NO.  
 - QUANTITY  
 - PART NUMBER  
 - LOT NUMBER

Ø .502 REF  
 [12.75]

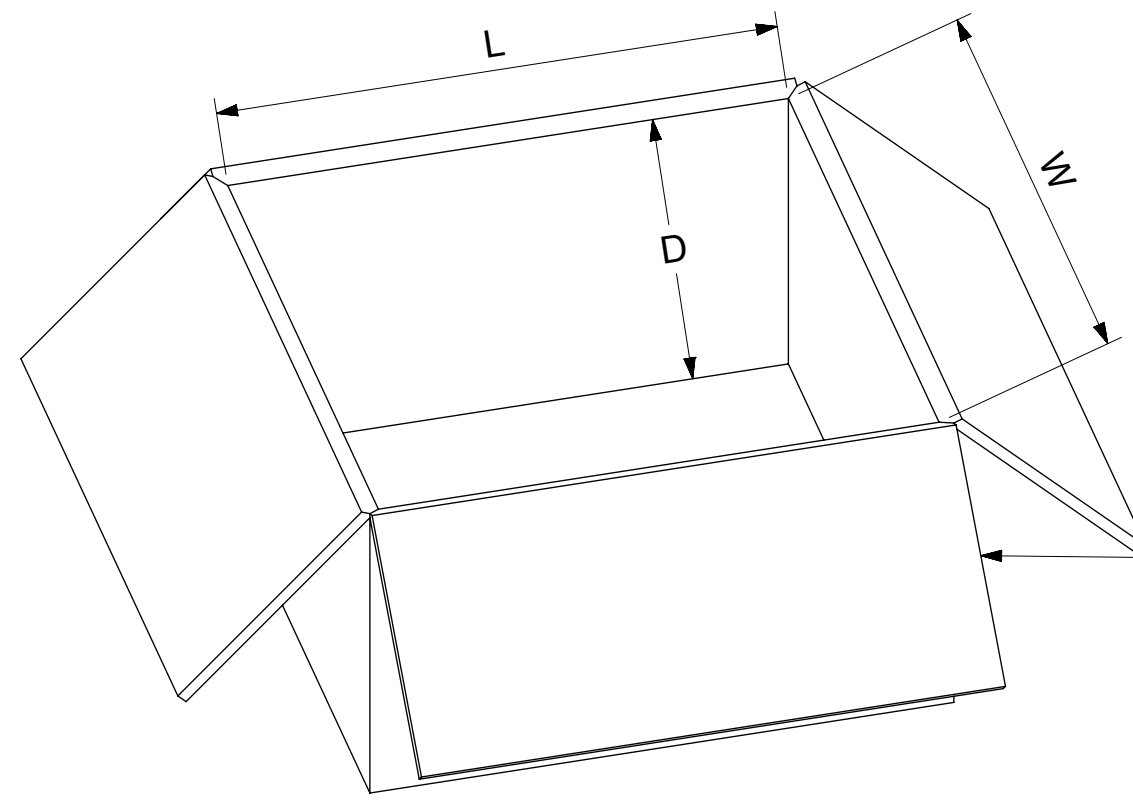


VIEWS FOR 85305-0232 & 73415-6181 & 73415-6182 & 73415-6183



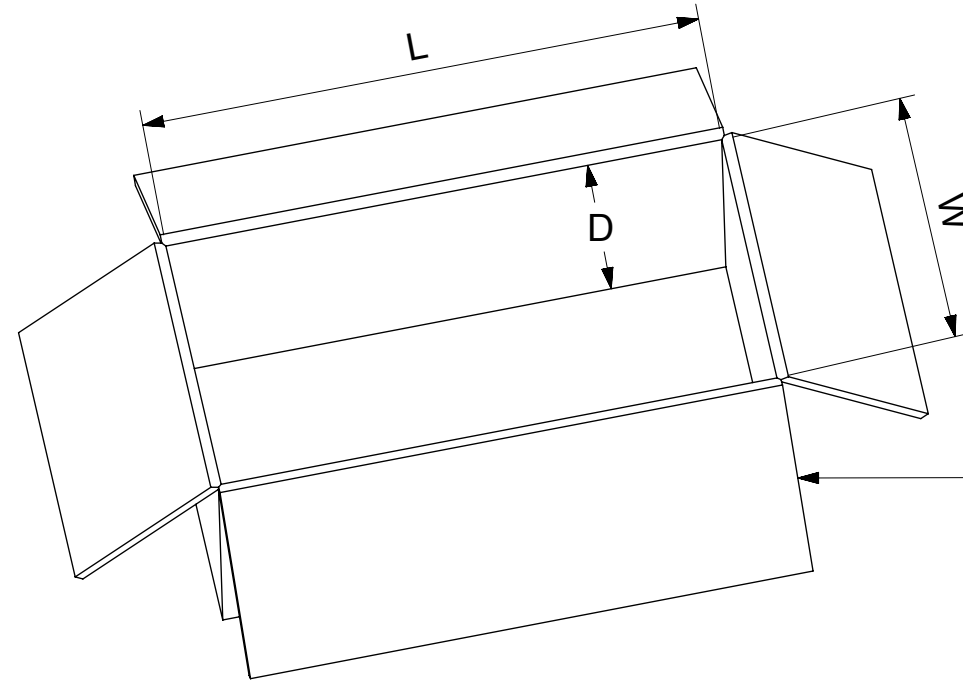
THIS DRAWING CONTAINS INFORMATION THAT IS PROPRIETARY TO MOLEX ELECTRONIC TECHNOLOGIES, LLC AND SHOULD NOT BE USED WITHOUT WRITTEN PERMISSION									
DIMENSION UNITS <b>INCH/MM</b>		SCALE <b>NTS</b>		CURRENT REV DESC: SHOW BOX SIZE AND QTY IN THE BOX PER EWR #15646-A			<b>molex</b>		
GENERAL TOLERANCES (UNLESS SPECIFIED)				EC NO: 737089					
	MM		INCH	DRWN: RYEH 2023/01/19			SMP, PLUG SMT LIMITED DETENT SMP-P/PCB, EWR-11818		
4 PLACES	±		±	CHK'D: YCHENG 2023/02/06			PRODUCT CUSTOMER DRAWING		
3 PLACES	±	0.13	± 0.01	APPR: YCHENG 2023/02/06			DOCUMENT NUMBER		
2 PLACES	±	0.25	±	INITIAL REVISION:			DOC TYPE   DOC PART   REVISION		
1 PLACE	±		±	DRWN: AROBERTSON 2005/07/29			SD-85305-0232   PSD   001   B18		
0 PLACES	±		±	APPR: JWIENER 2005/08/01			MATERIAL NUMBER   CUSTOMER   SHEET NUMBER		
ANGULAR TOL	±	2.0 °		THIRD ANGLE PROJECTION		DRAWING	SERIES	SEE TABLE	
DRAFT WHERE APPLICABLE MUST REMAIN WITHIN DIMENSIONS						C-SIZE	85305	4 OF 5	

DOCUMENT STATUS	P1	RELEASE DATE	2023/02/06	04:17:23
-----------------	----	--------------	------------	----------



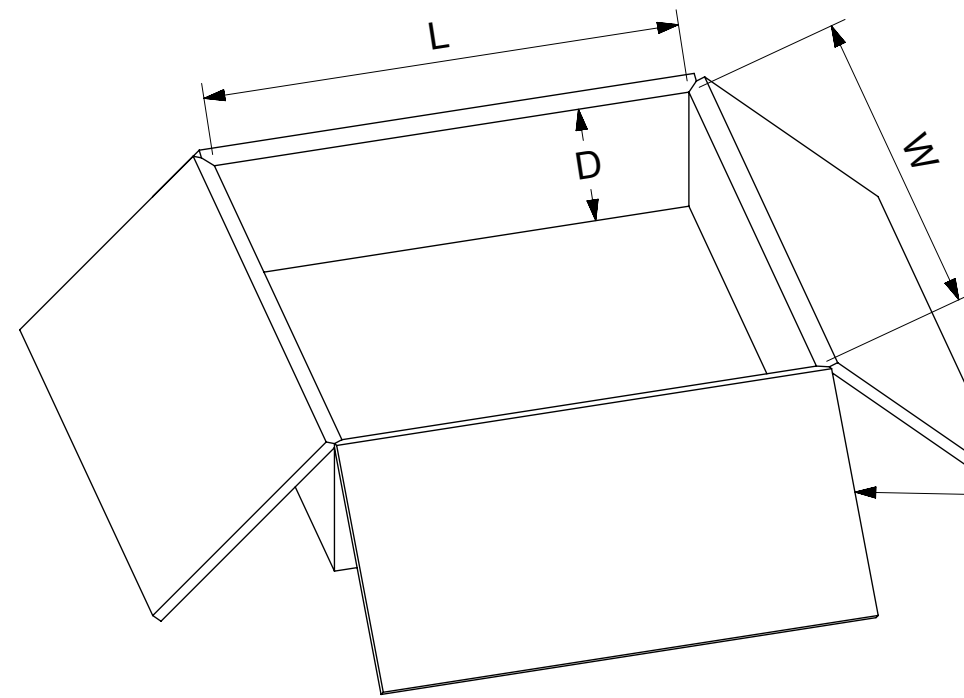
1K PCS PER REEL  
 7 REELS PER CARTON  
 7 X 1000 = 7K PCS  
 MAXIMUM OUTSIDE SIZE (mm):  
 L=393.94  
 W=390.92  
 D=211.89

VIEW FOR 85305-0232 & 73415-6181



1 PC PER BAG  
 500 PCS PER CARTON  
 MAXIMUM OUTSIDE SIZE (mm):  
 L=571.94  
 W=183.94  
 D=191.87

VIEW FOR 73415-6180



1K PCS PER REEL  
 1 REEL PER CARTON  
 1 X 1000 = 1K PCS  
 MAXIMUM OUTSIDE SIZE (mm):  
 L=340  
 W=340  
 D=100

VIEW FOR 73415-6182 & 73415-6183

73415-6183	85305-0232, TAPE AND REEL WITH KAPTON TAPE	1K PER REEL	1K PER CARTON
73415-6182	85305-0232, TAPE AND REEL	1K PER REEL	1K PER CARTON
73415-6181	85305-0232, TAPE AND REEL WITH KAPTON TAPE	1K PER REEL	7K PER CARTON
73415-6180	85305-0232, ONE PER BAG	ONE PER BAG	500 PER CARTON
85305-0232	TAPE AND REEL	1K PER REEL	7K PER CARTON
PART NO.	PACKAGING	QUANTITY	

THIS DRAWING CONTAINS INFORMATION THAT IS PROPRIETARY TO MOLEX ELECTRONIC TECHNOLOGIES, LLC AND SHOULD NOT BE USED WITHOUT WRITTEN PERMISSION									
DIMENSION UNITS <b>INCH/MM</b>		SCALE <b>NTS</b>		CURRENT REV DESC: SHOW BOX SIZE AND QTY IN THE BOX PER EWR #15646-A			<b>molex</b>		
GENERAL TOLERANCES (UNLESS SPECIFIED)				EC NO: 737089					
4 PLACES	±		±	DRWN: RYEH			2023/01/19		
3 PLACES	±		± 0.005	CHK'D: YCHENG			2023/02/06		
2 PLACES	±	0.13	± 0.01	APPR: YCHENG			2023/02/06		
1 PLACE	±	0.25	±	INITIAL REVISION:			DOCUMENT NUMBER		
0 PLACES	±		±	DRWN: AROBERTSON			SD-85305-0232		
ANGULAR TOL ± 2.0 °				APPR: JWIENER			PSD 001 B18		
DRAFT WHERE APPLICABLE MUST REMAIN WITHIN DIMENSIONS		THIRD ANGLE PROJECTION		DRAWING		SERIES		SHEET NUMBER	
				C-SIZE		85305		5 OF 5	

DOCUMENT STATUS	P1	RELEASE DATE	2023/02/06	04:17:23
-----------------	----	--------------	------------	----------