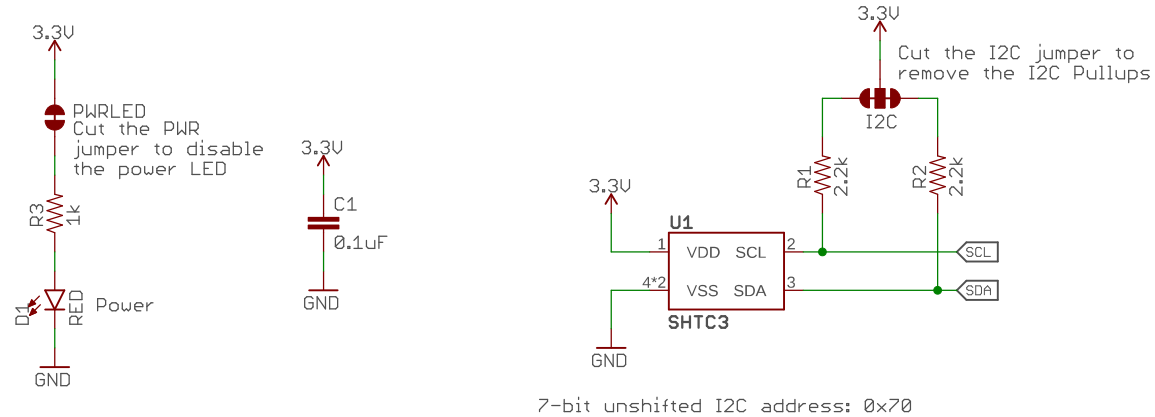
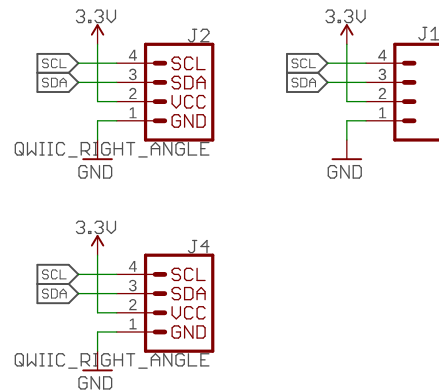


Humidity Sensor

VIN: 1.62-3.6V



Connectors



Released under the Creative Commons Attribution Share-Alike 4.0 License
<https://creativecommons.org/licenses/by-sa/4.0/>



TITLE: SHTC3 Breakout

Design by: Bryan Hoff
 Revision By: Andy England

REV: v10



Date: 5/6/2020 5:37 PM

Sheet: 1/1