

Product Change Notice (PCN)

Date: 12/20/2022

PCN Number: PCN-0451186R-01

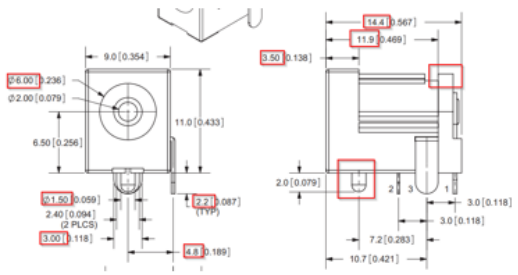
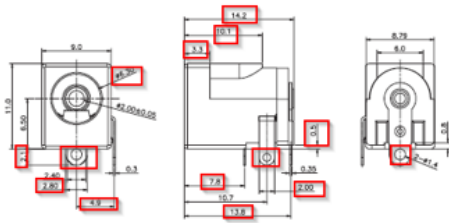
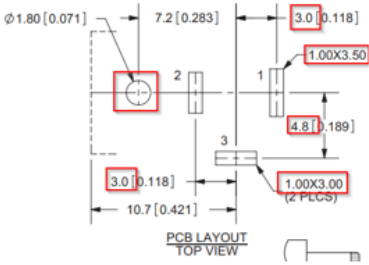
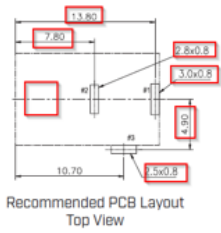
To Our Customers:

We appreciate your use of our products. Our commitment in maintaining and improving processes is demonstrated by plans to enhance our product quality, reliability, and manufacturability. The purpose of this notice is to inform you of a product change.

Product(s) Affected: *PJ-050AH*

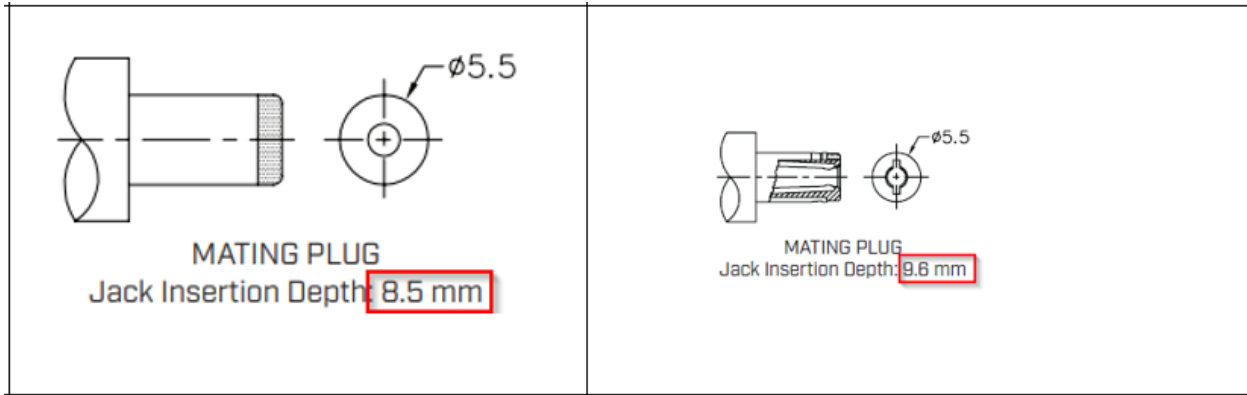
Reason(s) for Change: *Manufacturing process improvements*

Description of Change: *Mechanical, electrical, and material changes as shown below:*

PREVIOUS CUI DEVICES DETAIL / IMAGE	NEW CUI DEVICES DETAIL / IMAGE																																							
																																								
 <p style="text-align: center;">PCB LAYOUT TOP VIEW</p>	 <p style="text-align: center;">Recommended PCB Layout Top View</p>																																							
<table border="1"> <thead> <tr> <th></th> <th>MATERIAL</th> <th>PLATING</th> </tr> </thead> <tbody> <tr> <td>center pin</td> <td>copper</td> <td>nickel</td> </tr> <tr> <td>terminal 1</td> <td>brass</td> <td>silver</td> </tr> <tr> <td>terminal 2</td> <td>copper alloy</td> <td>silver</td> </tr> <tr> <td>terminal 3</td> <td>brass</td> <td>silver</td> </tr> <tr> <td>plastic</td> <td>PBT</td> <td></td> </tr> </tbody> </table>		MATERIAL	PLATING	center pin	copper	nickel	terminal 1	brass	silver	terminal 2	copper alloy	silver	terminal 3	brass	silver	plastic	PBT		<table border="1"> <thead> <tr> <th>DESCRIPTION</th> <th>MATERIAL</th> <th>PLATING/COLOR</th> </tr> </thead> <tbody> <tr> <td>center pin</td> <td>copper alloy(H65)</td> <td>nickel</td> </tr> <tr> <td>terminal 1</td> <td>C2680 t-0.35 mm</td> <td>nickel-tin</td> </tr> <tr> <td>terminal 2</td> <td>C5210 t-0.25 mm</td> <td>nickel-tin</td> </tr> <tr> <td>terminal 3</td> <td>C2680 t-0.30 mm</td> <td>nickel-tin</td> </tr> <tr> <td>housing</td> <td>PABT (UL94V-0)</td> <td>black</td> </tr> <tr> <td>cover</td> <td>PABT (UL94V-0)</td> <td>black</td> </tr> </tbody> </table>	DESCRIPTION	MATERIAL	PLATING/COLOR	center pin	copper alloy(H65)	nickel	terminal 1	C2680 t-0.35 mm	nickel-tin	terminal 2	C5210 t-0.25 mm	nickel-tin	terminal 3	C2680 t-0.30 mm	nickel-tin	housing	PABT (UL94V-0)	black	cover	PABT (UL94V-0)	black
	MATERIAL	PLATING																																						
center pin	copper	nickel																																						
terminal 1	brass	silver																																						
terminal 2	copper alloy	silver																																						
terminal 3	brass	silver																																						
plastic	PBT																																							
DESCRIPTION	MATERIAL	PLATING/COLOR																																						
center pin	copper alloy(H65)	nickel																																						
terminal 1	C2680 t-0.35 mm	nickel-tin																																						
terminal 2	C5210 t-0.25 mm	nickel-tin																																						
terminal 3	C2680 t-0.30 mm	nickel-tin																																						
housing	PABT (UL94V-0)	black																																						
cover	PABT (UL94V-0)	black																																						

F-723-001

Revision: A



Affected Date Code: *12/8/2022*

Product Availability: *Channel Availability mid Q4*

Additional Information:

PCN Approval:

Operations/Quality

Rae Adams

Product Management

RH