

## CDx4HC405x, CDx4HCT405x High-Speed CMOS Logic Analog Multiplexers and Demultiplexers

### 1 Features

- Wide Analog Input Voltage Range:  $\pm 5$ -V Maximum
- Low ON-Resistance
  - 70- $\Omega$  Typical ( $V_{CC} - V_{EE} = 4.5$  V)
  - 40- $\Omega$  Typical ( $V_{CC} - V_{EE} = 9$  V)
- Low Crosstalk Between Switches
- Fast Switching and Propagation Speeds
- Break-Before-Make Switching
- Wide Operating Temperature Range:  $-55^{\circ}\text{C}$  to  $+125^{\circ}\text{C}$
- CD54HC and CD74HC Types
  - Operation Control Voltage: 2 V to 6 V
  - Switch Voltage: 0 V to 10 V
- CD54HCT and CD74HCT Types
  - Operation Control Voltage: 4.5 V to 5.5 V
  - Switch Voltage: 0 V to 10 V
  - Direct LSTTL Input Logic Compatibility  
 $V_{IL} = 0.8$ -V Max,  $V_{IH} = 2$ -V Min
  - CMOS Input Compatibility  
 $I_I \leq 1$   $\mu\text{A}$  at  $V_{OL}$ ,  $V_{OH}$
- On Products Compliant to MIL-PRF-38535, All Parameters Are Tested Unless Otherwise Noted. On All Other Products, Production Processing Does Not Necessarily Include Testing of All Parameters.

### 2 Applications

- Digital Radio
- Signal Gating
- Factory Automation
- Televisions
- Appliances
- Programmable Logic Circuits
- Sensors

### 3 Description

The CDx4HC405x and CDx4HCT405x devices are digitally controlled analog switches that use silicon gate CMOS technology to achieve operating speeds similar to LSTTL with the low-power consumption of standard CMOS integrated circuits.

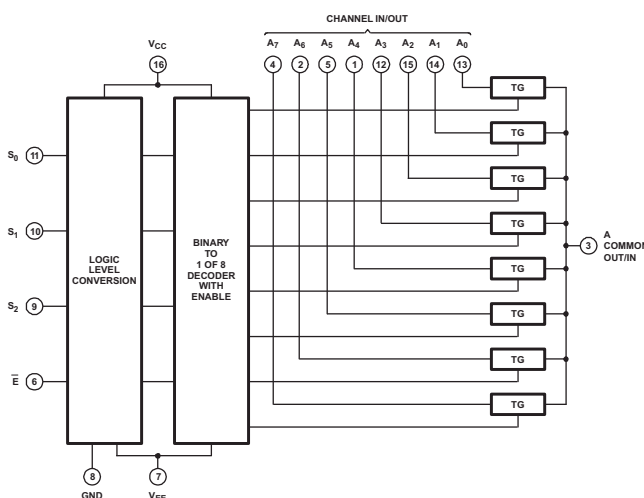
These analog multiplexers and demultiplexers control analog voltages that may vary across the voltage supply range (for example,  $V_{CC}$  to  $V_{EE}$ ). They are bidirectional switches that allow any analog input to be used as an output and vice versa. The switches have low ON resistance and low OFF leakages. In addition, all these devices have an enable control that, when high, disables all switches to their OFF state.

#### Device Information<sup>(1)</sup>

| PART NUMBER   | PACKAGE    | BODY SIZE (NOM)    |
|---------------|------------|--------------------|
| CD54HCx405xF  | CDIP (16)  | 19.56 mm x 6.92 mm |
| CD74HCx405xE  | PDIP (16)  | 19.30 mm x 6.35 mm |
| CD74HCx405xM  | SOIC (16)  | 9.90 mm x 3.91 mm  |
| CD74HCx405xNS | SOP (16)   | 10.30 mm x 5.30 mm |
| CD74HCx405xPW | TSSOP (16) | 5.00 mm x 4.40 mm  |

(1) For all available packages, see the orderable addendum at the end of the data sheet.

#### Functional Diagram of HC4051 and HCT4051



## Table of Contents

|  |    |  |    |
|--|----|--|----|
| <b>1 Features</b> .....                                    | 1  | 8.2 Functional Block Diagrams .....                              | 20 |
| <b>2 Applications</b> .....                                | 1  | 8.3 Feature Description .....                                    | 22 |
| <b>3 Description</b> .....                                 | 1  | 8.4 Device Functional Modes .....                                | 22 |
| <b>4 Revision History</b> .....                            | 2  | <b>9 Application and Implementation</b> .....                    | 23 |
| <b>5 Pin Configuration and Functions</b> .....             | 3  | 9.1 Application Information .....                                | 23 |
| <b>6 Specifications</b> .....                              | 6  | 9.2 Typical Application .....                                    | 23 |
| 6.1 Absolute Maximum Ratings .....                         | 6  | <b>10 Power Supply Recommendations</b> .....                     | 24 |
| 6.2 ESD Ratings .....                                      | 6  | <b>11 Layout</b> .....   | 25 |
| 6.3 Recommended Operating Conditions .....                 | 6  | 11.1 Layout Guidelines .....                                     | 25 |
| 6.4 Thermal Information .....                              | 7  | 11.2 Layout Example .....  | 25 |
| 6.5 Electrical Characteristics: HC Devices .....           | 7  | <b>12 Device and Documentation Support</b> .....                 | 26 |
| 6.6 Electrical Characteristics: HCT Devices .....          | 10 | 12.1 Documentation Support .....                                 | 26 |
| 6.7 Switching Characteristics, $V_{CC} = 5\text{ V}$ ..... | 12 | 12.2 Related Links .....   | 26 |
| 6.8 Switching Characteristics, $C_L = 50\text{ pF}$ .....  | 13 | 12.3 Receiving Notification of Documentation Updates .....       | 26 |
| 6.9 Analog Channel Specifications .....                    | 16 | 12.4 Community Resources .....                                   | 26 |
| 6.10 Typical Characteristics .....                         | 17 | 12.5 Trademarks .....  | 26 |
| <b>7 Parameter Measurement Information</b> .....           | 18 | 12.6 Electrostatic Discharge Caution .....                       | 26 |
| <b>8 Detailed Description</b> .....                        | 20 | 12.7 Glossary .....  | 27 |
| 8.1 Overview .....   | 20 | <b>13 Mechanical, Packaging, and Orderable Information</b> ..... | 27 |

## 4 Revision History

NOTE: Page numbers for previous revisions may differ from page numbers in the current version.

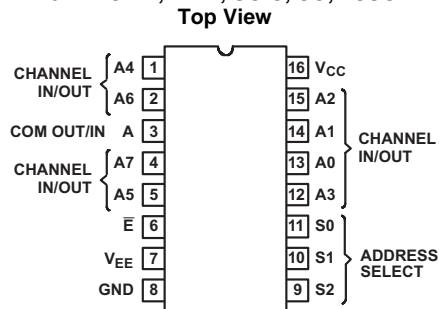
| Changes from Revision L (February 2017) to Revision M                             | Page |
|---|------|
| • Changed <i>Feature</i> From: 7- $\Omega$ Typical To: 70- $\Omega$ Typical ..... | 1    |

| Changes from Revision K (September 2015) to Revision L  | Page |
|---|------|
| • Changed Charged device model (CDM) value from: $\pm 1000\text{ V}$ to: $\pm 200\text{ V}$ ..... | 6    |
| • Added <i>Receiving Notification of Documentation Updates</i> section .....                      | 26   |

| Changes from Revision J (February 2011) to Revision K  | Page |
|--|------|
| • Removed <i>Ordering Information</i> table. ....  | 1    |
| • Added <i>Device Information</i> table, <i>Pin Functions</i> table, <i>ESD Ratings</i> table, <i>Thermal Information</i> table, <i>Detailed Description</i> section, <i>Applications and Implementation</i> section, <i>Power Supply Recommendations</i> section, <i>Layout</i> section, <i>Device and Documentation Support</i> section, and <i>Mechanical, Packaging, and Orderable Information</i> section ..... | 1    |
| • Added Military Disclaimer to <i>Features</i> list. ....  | 1    |

## 5 Pin Configuration and Functions

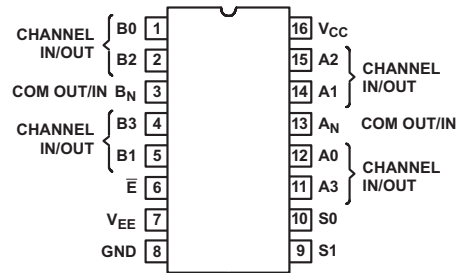
CD54HC4051, CD54HCT4051, CD74HC4051, CD74HCT4051 J, N, D, NS, PW Packages  
16-Pin CDIP, PDIP, SOIC, SO, TSSOP



Pin Functions for CDx4HCx4051B

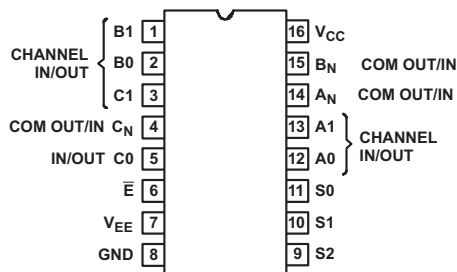
| PIN |              | I/O | DESCRIPTION   |
|-----|--------------|-----|---|
| NO. | NAME         |     |   |
| 1   | CH A4 IN/OUT | I/O | Channel 4 in/out  |
| 2   | CH A6 IN/OUT | I/O | Channel 6 in/out  |
| 3   | COM OUT/IN   | I/O | Common out/in   |
| 4   | CH A7 IN/OUT | I/O | Channel 7 in/out  |
| 5   | CH A5 IN/OUT | I/O | Channel 5 in/out  |
| 6   | $\bar{E}$    | I   | Enable Channels (Active Low). See <a href="#">Table 1</a> . |
| 7   | $V_{EE}$     | —   | Negative power input  |
| 8   | GND          | —   | Ground  |
| 9   | S2           | I   | Channel select 2. See <a href="#">Table 1</a> .             |
| 10  | S1           | I   | Channel select 1. See <a href="#">Table 1</a> .             |
| 11  | S0           | I   | Channel select 0. See <a href="#">Table 1</a> .             |
| 12  | CH A3 IN/OUT | I/O | Channel 3 in/out  |
| 13  | CH A0 IN/OUT | I/O | Channel 0 in/out  |
| 14  | CH A1 IN/OUT | I/O | Channel 1 in/out  |
| 15  | CH A2 IN/OUT | I/O | Channel 2 in/out  |
| 16  | $V_{CC}$     | —   | Positive power input  |

CD54HC4052, CD74HC4052, CD74HCT4052 J, N, D, NS, PW Packages  
 16-Pin CDIP, PDIP, SOIC, SO, TSSOP  
 Top View



Pin Functions for CDx4HCx4052B

| PIN |              | I/O | DESCRIPTION   |
|-----|--------------|-----|---|
| NO. | NAME         |     |   |
| 1   | CH B0 IN/OUT | I/O | Channel B0 in/out   |
| 2   | CH B2 IN/OUT | I/O | Channel B2 in/out   |
| 3   | COM B OUT/IN | I/O | B common out/in   |
| 4   | CH B3 IN/OUT | I/O | Channel B3 in/out   |
| 5   | CH B1 IN/OUT | I/O | Channel B1 in/out   |
| 6   | $\bar{E}$    | I   | Enable channels (Active Low). See <a href="#">Table 2</a> . |
| 7   | $V_{EE}$     | —   | Negative power input  |
| 8   | GND          | —   | Ground  |
| 9   | S1           | I   | Channel select 1. See <a href="#">Table 2</a> .             |
| 10  | S0           | I   | Channel select 0. See <a href="#">Table 2</a> .             |
| 11  | CH A3 IN/OUT | I/O | Channel A3 in/out   |
| 12  | CH A0 IN/OUT | I/O | Channel A0 in/out   |
| 13  | COM A IN/OUT | I/O | A common out/in   |
| 14  | CH A1 IN/OUT | I/O | Channel A1 in/out   |
| 15  | CH A2 IN/OUT | I/O | Channel A2 in/out   |
| 16  | $V_{CC}$     | —   | Positive power input  |

**CD54HC4053 CD74HC4053 CD74HCT4053 J, N, D, NS, PW Packages  
16-Pin CDIP, PDIP, SOIC, SOP, TSSOP  
TOP VIEW**

**Pin Functions CDx4HCx4053B**

| PIN |              | I/O | DESCRIPTION   |
|-----|--------------|-----|---|
| NO. | NAME         |     |   |
| 1   | B1 IN/OUT    | I/O | B channel Y in/out  |
| 2   | B0 IN/OUT    | I/O | B channel X in/out  |
| 3   | C1 IN/OUT    | I/O | C channel Y in/out  |
| 4   | COM C OUT/IN | I/O | C common out/in   |
| 5   | C0 IN/OUT    | I/O | C channel X in/out  |
| 6   | $\bar{E}$    | I   | Enable channels (Active Low). See <a href="#">Table 3</a> . |
| 7   | $V_{EE}$     | —   | Negative power input  |
| 8   | GND          | —   | Ground  |
| 9   | S2           | I   | Channel select 2. See <a href="#">Table 3</a> .             |
| 10  | S1           | I   | Channel select 1. See <a href="#">Table 3</a> .             |
| 11  | S0           | I   | Channel select 0. See <a href="#">Table 3</a> .             |
| 12  | A0 IN/OUT    | I/O | A channel X in/out  |
| 13  | A1 IN/OUT    | I/O | A channel Y in/out  |
| 14  | COM A OUT/IN | I/O | A common out/in   |
| 15  | COM B OUT/IN | I/O | B common out/in   |
| 16  | $V_{CC}$     | —   | Positive power input  |

## 6 Specifications

### 6.1 Absolute Maximum Ratings

over operating free-air temperature range (unless otherwise noted)<sup>(1)</sup>

|                   |                                  | MIN  | MAX  | UNIT      |
|-------------------|----------------------------------|--|------|-----------|
| $V_{CC} - V_{EE}$ | DC supply voltage                | -0.5   | 10.5 | V         |
| $V_{CC}$          | DC supply voltage                | -0.5   | 7    | V         |
| $V_{EE}$          | DC supply voltage                | 0.5  | -7   | V         |
| $I_{IK}$          | DC input diode current           | $V_I < -0.5\text{ V}$ or $V_I > V_{CC} + 0.5\text{ V}$         |      | ±20<br>mA |
| $I_{OK}$          | DC switch diode current          | $V_I < V_{EE} - 0.5\text{ V}$ or $V_I > V_{CC} + 0.5\text{ V}$ |      | ±20<br>mA |
|                   | DC switch current <sup>(2)</sup> | $V_I > V_{EE} - 0.5\text{ V}$ or $V_I < V_{CC} + 0.5\text{ V}$ |      | ±25<br>mA |
| $I_{CC}$          | DC $V_{CC}$ or ground current    |  | ±50  | mA        |
| $I_{EE}$          | DC $V_{EE}$ current              |  | -20  | mA        |
| $T_{JMAX}$        | Maximum junction temperature     |  | 150  | °C        |
| $T_{LMAX}$        | Maximum lead temperature         | Soldering 10 s   |      | 300<br>°C |
| $T_J$             | Junction temperature             |  | 150  | °C        |
| $T_{stg}$         | Storage temperature              | -65  | 150  | °C        |

- (1) Stresses beyond those listed under *Absolute Maximum Ratings* may cause permanent damage to the device. These are stress ratings only, and functional operation of the device at these or any other conditions beyond those indicated under *Recommended Operating Conditions* is not implied. Exposure to absolute-maximum-rated conditions for extended periods may affect device reliability.
- (2) All voltages referenced to GND unless otherwise specified.

### 6.2 ESD Ratings

|             |                         | VALUE  | UNIT |
|-------------|-------------------------|--|------|
| $V_{(ESD)}$ | Electrostatic discharge | Human body model (HBM), per ANSI/ESDA/JEDEC JS-001 <sup>(1)</sup>  | V    |
|             |                         | Charged device model (CDM), per JEDEC specification JESD22-C101 or ANSI/ESDA/JEDEC JS-002 <sup>(2)</sup> |      |

- (1) JEDEC document JEP155 states that 500-V HBM allows safe manufacturing with a standard ESD control process.
- (2) JEDEC document JEP157 states that 250-V CDM allows safe manufacturing with a standard ESD control process.

### 6.3 Recommended Operating Conditions

over operating free-air temperature range (unless otherwise noted)<sup>(1)</sup>

|                   |  |   | MIN      | NOM | MAX      | UNIT |
|-------------------|--|---|----------|-----|----------|------|
| $V_{CC}$          | Supply voltage range<br>( $T_A$ = full package temperature range) <sup>(2)</sup> | CD54 and 74HC types   | 2        |     | 6        | V    |
|                   |  | CD54 and 74HCT types  | 4.5      |     | 5.5      |      |
| $V_{CC} - V_{EE}$ | Supply voltage range<br>( $T_A$ = full package temperature range)                | CD54 and 74HC types, CD54 and 74HCT types (see <a href="#">Figure 1</a> ) | 2        |     | 10       | V    |
| $V_{EE}$          | Supply voltage range<br>( $T_A$ = full package temperature range) <sup>(3)</sup> | CD54 and 74HC types, CD54 and 74HCT types (see <a href="#">Figure 2</a> ) | 0        |     | -6       | V    |
| $V_I$             | DC input control voltage   |   | GND      |     | $V_{CC}$ | V    |
| $V_{IS}$          | Analog switch I/O voltage  |   | $V_{EE}$ |     | $V_{CC}$ | V    |
| $T_A$             | Operating temperature  |   | -55      |     | 125      | °C   |
| $t_r, t_f$        | Input rise and fall times  | 2 V   | 0        |     | 1000     | ns   |
|                   |  | 4.5 V   | 0        |     | 500      |      |
|                   |  | 6 V   | 0        |     | 400      |      |

- (1) For maximum reliability, nominal operating conditions must be selected so that operation is always within the ranges specified in the *Recommended Operating Conditions* table.
- (2) All voltages referenced to GND unless otherwise specified.
- (3) In certain applications, the external load resistor current may include both  $V_{CC}$  and signal line components. To avoid drawing  $V_{CC}$  current when switch current flows into the transmission gate inputs, the voltage drop across the bidirectional switch must not exceed 0.6 V (calculated from  $r_{ON}$  values shown in [Electrical Characteristics: HC Devices](#) and [Electrical Characteristics: HCT Devices](#) tables). No  $V_{CC}$  current will flow through  $R_L$  if the switch current flows into terminal 3 on the HC and HCT4051; terminals 3 and 13 on the HC and HCT4052; terminals 4, 14, and 15 on the HC and HCT4053.

## 6.4 Thermal Information

| THERMAL METRIC <sup>(1)</sup> |  | CD74HC4051 |         |            | UNIT |
|-------------------------------|--|------------|---------|------------|------|
|                               |  | N (PDIP)   | NS (SO) | PW (TSSOP) |      |
|                               |  | 16 PINS    | 16 PINS | 16 PINS    |      |
| $R_{\theta JA}$               | Junction-to-ambient thermal resistance       | 49.0       | 83.0    | 107.7      | °C/W |
| $R_{\theta JC(top)}$          | Junction-to-case (top) thermal resistance    | 36.3       | 41.2    | 42.4       | °C/W |
| $R_{\theta JB}$               | Junction-to-board thermal resistance         | 29.0       | 43.3    | 52.8       | °C/W |
| $\Psi_{JT}$                   | Junction-to-top characterization parameter   | 21.2       | 9.2     | 4.2        | °C/W |
| $\Psi_{JB}$                   | Junction-to-board characterization parameter | 28.9       | 43.0    | 52.2       | °C/W |

(1) For more information about traditional and new thermal metrics, see the [Semiconductor and IC Package Thermal Metrics](#) application report.

## 6.5 Electrical Characteristics: HC Devices

| PARAMETERS                        | TEST CONDITIONS |              |                 |                 |                 | MIN  | TYP  | MAX | UNIT |
|-----------------------------------|-----------------|--------------|-----------------|-----------------|-----------------|------|------|-----|------|
|                                   | $V_{IS}$<br>(V) | $V_I$<br>(V) | $V_{EE}$<br>(V) | $V_{CC}$<br>(V) | $T_A$           |      |      |     |      |
| $V_{IH}$ High-level input voltage |                 |              |                 | 2               | 25°C            | 1.5  |      |     | V    |
|                                   |                 |              |                 |                 | -40°C to +85°C  | 1.5  |      |     |      |
|                                   |                 |              |                 |                 | -55°C to +125°C | 1.5  |      |     |      |
|                                   |                 |              |                 |                 | 25°C            | 3.15 |      |     |      |
|                                   |                 |              |                 |                 | -40°C to +85°C  | 3.15 |      |     |      |
|                                   |                 |              |                 |                 | -55°C to +125°C | 3.15 |      |     |      |
|                                   |                 |              |                 |                 | 25°C            | 4.2  |      |     |      |
|                                   |                 |              |                 |                 | -40°C to +85°C  | 4.2  |      |     |      |
|                                   |                 |              |                 |                 | -55°C to +125°C | 4.2  |      |     |      |
| $V_{IL}$ Low-level input voltage  |                 |              |                 | 2               | 25°C            |      | 0.5  |     | V    |
|                                   |                 |              |                 |                 | -40°C to +85°C  |      | 0.5  |     |      |
|                                   |                 |              |                 |                 | -55°C to +125°C |      | 0.5  |     |      |
|                                   |                 |              |                 |                 | 25°C            |      | 1.35 |     |      |
|                                   |                 |              |                 |                 | -40°C to +85°C  |      | 1.35 |     |      |
|                                   |                 |              |                 |                 | -55°C to +125°C |      | 1.35 |     |      |
|                                   |                 |              |                 |                 | 25°C            |      | 1.8  |     |      |
|                                   |                 |              |                 |                 | -40°C to +85°C  |      | 1.8  |     |      |
|                                   |                 |              |                 |                 | -55°C to +125°C |      | 1.8  |     |      |

**Electrical Characteristics: HC Devices (continued)**

| PARAMETERS       |   | TEST CONDITIONS                    |                       |                        |                        |                 | MIN | TYP | MAX | UNIT |
|------------------|---|------------------------------------|-----------------------|------------------------|------------------------|-----------------|-----|-----|-----|------|
|                  |   | V <sub>IS</sub><br>(V)             | V <sub>I</sub><br>(V) | V <sub>EE</sub><br>(V) | V <sub>CC</sub><br>(V) | T <sub>A</sub>  |     |     |     |      |
| r <sub>ON</sub>  | ON resistance<br>I <sub>O</sub> = 1 mA<br>See Figure 21 | V <sub>CC</sub> or V <sub>EE</sub> |                       | 0                      | 4.5                    | 25°C            | 70  | 160 | Ω   |      |
|                  |   |                                    |                       |                        |                        | -40°C to +85°C  |     | 200 |     |      |
|                  |   |                                    |                       |                        |                        | -55°C to +125°C |     | 240 |     |      |
|                  |   |                                    |                       |                        |                        | 25°C            | 60  | 140 |     |      |
|                  |   |                                    |                       |                        |                        | -40°C to +85°C  |     | 175 |     |      |
|                  |   |                                    |                       |                        |                        | -55°C to +125°C |     | 210 |     |      |
|                  |   | V <sub>CC</sub> to V <sub>EE</sub> |                       | -4.5                   | 4.5                    | 25°C            | 40  | 120 |     |      |
|                  |   |                                    |                       |                        |                        | -40°C to +85°C  |     | 150 |     |      |
|                  |   |                                    |                       |                        |                        | -55°C to +125°C |     | 180 |     |      |
|                  |   |                                    |                       |                        |                        | 25°C            | 90  | 180 |     |      |
|                  |   |                                    |                       |                        |                        | -40°C to +85°C  |     | 225 |     |      |
|                  |   |                                    |                       |                        |                        | -55°C to +125°C |     | 270 |     |      |
|                  |   | 0                                  | 6                     | 25°C                   | 80                     | 160             |     |     |     |      |
|                  |   |                                    |                       | -40°C to +85°C         |                        | 200             |     |     |     |      |
|                  |   |                                    |                       | -55°C to +125°C        |                        | 240             |     |     |     |      |
|                  |   |                                    |                       | 25°C                   | 45                     | 130             |     |     |     |      |
|                  |   |                                    |                       | -40°C to +85°C         |                        | 162             |     |     |     |      |
|                  |   |                                    |                       | -55°C to +125°C        |                        | 195             |     |     |     |      |
| Δr <sub>ON</sub> | Maximum ON resistance between any two channels          |                                    |                       | 0                      | 4.5                    | 25°C            | 10  | Ω   |     |      |
|                  |   |                                    |                       | 0                      | 6                      | 25°C            | 8.5 |     |     |      |
|                  |   |                                    |                       | -4.5                   | 4.5                    | 25°C            | 5   |     |     |      |



**Electrical Characteristics: HC Devices (continued)**

| PARAMETERS      |                               | TEST CONDITIONS  |  |                        |                        |                 | MIN | TYP  | MAX | UNIT |
|-----------------|-------------------------------|--|--|------------------------|------------------------|-----------------|-----|------|-----|------|
|                 |                               | V <sub>IS</sub><br>(V)   | V <sub>I</sub><br>(V)                    | V <sub>EE</sub><br>(V) | V <sub>CC</sub><br>(V) | T <sub>A</sub>  |     |      |     |      |
| I <sub>IZ</sub> | 1 and 2 channels              | For switch OFF:<br>When V <sub>IS</sub> = V <sub>CC</sub> ,<br>V <sub>OS</sub> = V <sub>EE</sub> ;<br>When V <sub>IS</sub> = V <sub>EE</sub> ,<br>V <sub>OS</sub> = V <sub>CC</sub> .<br>For switch ON:<br>All applicable combinations of<br>V <sub>IS</sub> and V <sub>OS</sub><br>voltage levels | V <sub>IL</sub><br>or<br>V <sub>IH</sub> | 0                      | 6                      | 25°C            |     | ±0.1 | μA  |      |
|                 |                               |  |  |                        |                        | -40°C to +85°C  |     | ±1   |     |      |
|                 |                               |  |  |                        |                        | -55°C to +125°C |     | ±1   |     |      |
|                 | 4053                          |  |  | -5                     | 5                      | 25°C            |     | ±0.1 |     |      |
|                 |                               |  |  |                        |                        | -40°C to +85°C  |     | ±1   |     |      |
|                 |                               |  |  |                        |                        | -55°C to +125°C |     | ±1   |     |      |
|                 | 4 channels                    |  |  | 0                      | 6                      | 25°C            |     | ±0.1 |     |      |
|                 |                               |  |  |                        |                        | -40°C to +85°C  |     | ±1   |     |      |
|                 |                               |  |  |                        |                        | -55°C to +125°C |     | ±1   |     |      |
|                 | 4052                          |  |  | -5                     | 5                      | 25°C            |     | ±0.2 |     |      |
|                 |                               |  |  |                        |                        | -40°C to +85°C  |     | ±2   |     |      |
|                 |                               |  |  |                        |                        | -55°C to +125°C |     | ±2   |     |      |
| 8 channels      | 0                             | 6  | 25°C                                     |                        | ±0.2                   |                 |     |      |     |      |
|                 |                               |  | -40°C to +85°C                           |                        | ±2                     |                 |     |      |     |      |
|                 |                               |  | -55°C to +125°C                          |                        | ±2                     |                 |     |      |     |      |
| 4051            | -5                            | 5  | 25°C                                     |                        | ±0.4                   |                 |     |      |     |      |
|                 |                               |  | -40°C to +85°C                           |                        | ±4                     |                 |     |      |     |      |
|                 |                               |  | -55°C to +125°C                          |                        | ±4                     |                 |     |      |     |      |
| I <sub>IL</sub> | Control input leakage current |  | V <sub>CC</sub><br>or<br>GND             | 0                      | 6                      | 25°C            |     | ±0.1 | μA  |      |
|                 |                               |  |  |                        |                        | -40°C to +85°C  |     | ±1   |     |      |
|                 |                               |  |  |                        |                        | -55°C to +125°C |     | ±1   |     |      |
| I <sub>CC</sub> | Quiescent device current      | I <sub>O</sub> = 0   | V <sub>CC</sub><br>or<br>GND             | 0                      | 6                      | 25°C            |     | 8    | μA  |      |
|                 |                               |  |  |                        |                        | -40°C to +85°C  |     | 80   |     |      |
|                 |                               |  |  |                        |                        | -55°C to +125°C |     | 160  |     |      |
|                 |                               |  |  | -5                     | 5                      | 25°C            |     | 16   |     |      |
|                 |                               |  |  |                        |                        | -40°C to +85°C  |     | 160  |     |      |
|                 |                               |  |  |                        |                        | -55°C to +125°C |     | 320  |     |      |

## 6.6 Electrical Characteristics: HCT Devices

| PARAMETER        |   | TEST CONDITIONS                                       |                                    |  |                        |                    | MIN                | TYP | MAX | UNIT |
|------------------|---|---|------------------------------------|--|------------------------|--------------------|--------------------|-----|-----|------|
|                  |   | V <sub>IS</sub><br>(V)                                | V <sub>I</sub><br>(V)              | V <sub>EE</sub><br>(V)                   | V <sub>CC</sub><br>(V) | T <sub>A</sub>     |                    |     |     |      |
| V <sub>IH</sub>  | High-level input voltage                          |   |                                    |  | 4.5<br>to<br>5.5       | 25°C               | 2                  |     | V   |      |
|                  |   |   |                                    |  |                        | –40°C to<br>+85°C  | 2                  |     |     |      |
|                  |   |   |                                    |  |                        | –55°C to<br>+125°C | 2                  |     |     |      |
| V <sub>IL</sub>  | Low-level input voltage                           |   |                                    |  | 4.5<br>to<br>5.5       | 25°C               |                    | 0.8 | V   |      |
|                  |   |   |                                    |  |                        | –40°C to<br>+85°C  |                    | 0.8 |     |      |
|                  |   |   |                                    |  |                        | –55°C to<br>+125°C |                    | 0.8 |     |      |
| r <sub>ON</sub>  | ON resistance                                     | I <sub>O</sub> = 1 mA<br>See <a href="#">Figure 6</a> | V <sub>CC</sub> or V <sub>EE</sub> | V <sub>IL</sub><br>or<br>V <sub>IH</sub> | 0                      | 4.5                | 25°C               | 70  | 160 | Ω    |
|                  |   |   |                                    |  |                        |                    | –40°C to<br>+85°C  |     | 200 |      |
|                  |   |   |                                    |  |                        |                    | –55°C to<br>+125°C |     | 240 |      |
|                  |   |   |                                    |  |                        |                    | 25°C               | 40  | 120 |      |
|                  |   |   |                                    |  |                        |                    | –40°C to<br>+85°C  |     | 150 |      |
|                  |   |   |                                    |  |                        |                    | –55°C to<br>+125°C |     | 180 |      |
|                  |   |   | V <sub>CC</sub> to V <sub>EE</sub> | V <sub>IL</sub><br>or<br>V <sub>IH</sub> | 0                      | 4.5                | 25°C               | 90  | 180 |      |
|                  |   |   |                                    |  |                        |                    | –40°C to<br>+85°C  |     | 225 |      |
|                  |   |   |                                    |  |                        |                    | –55°C to<br>+125°C |     | 270 |      |
|                  |   |   |                                    |  |                        |                    | 25°C               | 45  | 130 |      |
|                  |   |   |                                    |  |                        |                    | –40°C to<br>+85°C  |     | 162 |      |
|                  |   |   |                                    |  |                        |                    | –55°C to<br>+125°C |     | 195 |      |
| Δr <sub>ON</sub> | Maximum ON resistance<br>between any two channels |   |                                    |  | 0                      | 4.5                | 25°C               | 10  | Ω   |      |
|                  |   |   |                                    |  |                        |                    | –4.5               | 4.5 |     | 25°C |

**Electrical Characteristics: HCT Devices (continued)**

| PARAMETER        |  | TEST CONDITIONS   |  |                        |                        |                 | MIN  | TYP  | MAX | UNIT |
|------------------|--|---|--|------------------------|------------------------|-----------------|------|------|-----|------|
|                  |  | V <sub>IS</sub><br>(V)  | V <sub>I</sub><br>(V)                    | V <sub>EE</sub><br>(V) | V <sub>CC</sub><br>(V) | T <sub>A</sub>  |      |      |     |      |
| I <sub>IZ</sub>  | 1 and 2 channels   | For switch OFF:<br>When V <sub>IS</sub> = V <sub>CC</sub> ,<br>V <sub>OS</sub> = V <sub>EE</sub> ;<br>When V <sub>IS</sub> = V <sub>EE</sub> ,<br>V <sub>OS</sub> = V <sub>CC</sub><br>For switch ON:<br>All applicable combinations of<br>V <sub>IS</sub> and V <sub>OS</sub> voltage levels | V <sub>IL</sub><br>or<br>V <sub>IH</sub> | 0                      | 6                      | 25°C            |      | ±0.1 | μA  |      |
|                  |  |   |  |                        |                        | -40°C to +85°C  |      | ±1   |     |      |
|                  |  |   |  |                        |                        | -55°C to +125°C |      | ±1   |     |      |
|                  | 4053   |   |  | -5                     | 5                      | 25°C            |      | ±0.1 |     |      |
|                  |  |   |  |                        |                        | -40°C to +85°C  |      | ±1   |     |      |
|                  |  |   |  |                        |                        | -55°C to +125°C |      | ±1   |     |      |
|                  | 4 channels   |   |  | 0                      | 6                      | 25°C            |      | ±0.1 |     |      |
|                  |  |   |  |                        |                        | -40°C to +85°C  |      | ±1   |     |      |
|                  |  |   |  |                        |                        | -55°C to +125°C |      | ±1   |     |      |
|                  | 4052   |   |  | -5                     | 5                      | 25°C            |      | ±0.2 |     |      |
|                  |  |   |  |                        |                        | -40°C to +85°C  |      | ±2   |     |      |
|                  |  |   |  |                        |                        | -55°C to +125°C |      | ±2   |     |      |
|                  | 8 channels   |   |  | 0                      | 6                      | 25°C            |      | ±0.2 |     |      |
|                  |  |   |  |                        |                        | -40°C to +85°C  |      | ±2   |     |      |
| -55°C to +125°C  |  |   | ±2                                       |                        |                        |                 |      |      |     |      |
| 4051             | -5   | 5   | 25°C                                     |                        | ±0.4                   |                 |      |      |     |      |
|                  |  |   | -40°C to +85°C                           |                        | ±4                     |                 |      |      |     |      |
|                  |  |   | -55°C to +125°C                          |                        | ±4                     |                 |      |      |     |      |
| I <sub>IL</sub>  | Control input leakage current  | See <sup>(1)</sup>  |  | 5.5                    | 25°C                   |                 | ±0.1 | μA   |     |      |
|                  |  |   |  |                        | -40°C to +85°C         |                 | ±1   |      |     |      |
|                  |  |   |  |                        | -55°C to +125°C        |                 | ±1   |      |     |      |
| I <sub>CC</sub>  | Quiescent device current   | I <sub>O</sub> = 0  | V <sub>CC</sub><br>or<br>GND             | 0                      | 5.5                    | 25°C            |      | 8    | μA  |      |
|                  |  |   |  |                        |                        | -40°C to +85°C  |      | 80   |     |      |
|                  |  |   |  |                        |                        | -55°C to +125°C |      | 160  |     |      |
|                  |  |   |  | -4.5                   | 5.5                    | 25°C            |      | 16   | μA  |      |
|                  |  |   |  |                        |                        | -40°C to +85°C  |      | 160  |     |      |
|                  |  |   |  |                        |                        | -55°C to +125°C |      | 320  |     |      |
| ΔI <sub>CC</sub> | Additional quiescent device current per input pin:<br>1 unit load <sup>(2)</sup> | ΔI <sub>CC</sub> <sup>(2)</sup>   | V <sub>CC</sub> - 2.1                    | 4.5 to 5.5             | 25°C                   | 100             | 360  | μA   |     |      |
|                  |  |   |  |                        | -40°C to +85°C         |                 | 450  |      |     |      |
|                  |  |   |  |                        | -55°C to +125°C        |                 | 490  |      |     |      |

(1) Any voltage between V<sub>CC</sub> and GND.

(2) For dual-supply systems, theoretical worst-case (V<sub>I</sub> = 2.4 V, V<sub>CC</sub> = 5.5 V) specification is 1.8 mA.

## 6.7 Switching Characteristics, $V_{CC} = 5\text{ V}$

$V_{CC} = 5\text{ V}$ ,  $T_A = 25^\circ\text{C}$ , input  $t_r$ ,  $t_f = 6\text{ ns}$

| PARAMETER             |  | TEST CONDITIONS                   |             | $C_L$<br>(pF) | MIN | TYP | MAX | UNIT |
|-----------------------|--|-----------------------------------|-------------|---------------|-----|-----|-----|------|
| $t_{PHL}$ , $t_{PLH}$ |  | Switch IN to OUT                  | CDx4HC4051  | 15            |     | 4   |     | ns   |
|                       |  |                                   | CDx4HCT4051 |               |     | 4   |     |      |
|                       |  |                                   | CDx4HC4052  |               |     | 4   |     |      |
|                       |  |                                   | CDx4HCT4052 |               |     | 4   |     |      |
|                       |  |                                   | CDx4HC4053  |               |     | 4   |     |      |
|                       |  |                                   | CDx4HCT4053 |               |     | 4   |     |      |
| $t_{PHZ}$ , $t_{PLZ}$ | Propagation delay                            | Switch turn-off (S or $\bar{E}$ ) | CDx4HC4051  | 15            |     | 19  |     | ns   |
|                       |  |                                   | CDx4HCT4051 |               |     | 19  |     |      |
|                       |  |                                   | CDx4HC4052  |               |     | 21  |     |      |
|                       |  |                                   | CDx4HCT4052 |               |     | 21  |     |      |
|                       |  |                                   | CDx4HC4053  |               |     | 18  |     |      |
|                       |  |                                   | CDx4HCT4053 |               |     | 18  |     |      |
| $t_{PZH}$ , $t_{PZL}$ |  | Switch turn-on (S or $\bar{E}$ )  | CDx4HC4051  | 15            |     | 19  |     | ns   |
|                       |  |                                   | CDx4HCT4051 |               |     | 23  |     |      |
|                       |  |                                   | CDx4HC4052  |               |     | 27  |     |      |
|                       |  |                                   | CDx4HCT4052 |               |     | 29  |     |      |
|                       |  |                                   | CDx4HC4053  |               |     | 18  |     |      |
|                       |  |                                   | CDx4HCT4053 |               |     | 20  |     |      |
| $C_{PD}$              | Power dissipation capacitance <sup>(1)</sup> |                                   | CDx4HC4051  |               |     | 50  |     | pF   |
|                       |  |                                   | CDx4HCT4051 |               |     | 52  |     |      |
|                       |  |                                   | CDx4HC4052  |               |     | 74  |     |      |
|                       |  |                                   | CDx4HCT4052 |               |     | 76  |     |      |
|                       |  |                                   | CDx4HC4053  |               |     | 38  |     |      |
|                       |  |                                   | CDx4HCT4053 |               |     | 42  |     |      |

(1)  $C_{PD}$  is used to determine the dynamic power consumption, per package.  $P_D = C_{PD} V_{CC}^2 f_i + \sum (C_L + C_S) V_{CC}^2 f_o$ ,  $f_o$  = output frequency,  $f_i$  = input frequency,  $C_L$  = output load capacitance,  $C_S$  = switch capacitance,  $V_{CC}$  = supply voltage

## 6.8 Switching Characteristics, $C_L = 50$ pF

 $C_L = 50$  pF, input  $t_r, t_f = 6$  ns

| PARAMETER               |  | $V_{EE}$<br>(V) | $V_{CC}$<br>(V) | TEST CONDITIONS                                  |         | MIN | MAX | UNIT |
|-------------------------|--|-----------------|-----------------|--|---------|-----|-----|------|
| $t_{PLH},$<br>$t_{PHL}$ | Propagation delay,<br>switch in to out   | 0               | 2               | $T_A = 25^\circ\text{C}$                         | HC      |     | 60  | ns   |
|                         |  |                 |                 | $T_A = -40^\circ\text{C to } +85^\circ\text{C}$  | HC      |     | 75  |      |
|                         |  |                 |                 | $T_A = -55^\circ\text{C to } +125^\circ\text{C}$ | HC      |     | 90  |      |
|                         |  | 0               | 4.5             | $T_A = 25^\circ\text{C}$                         | HC, HCT |     | 12  |      |
|                         |  |                 |                 | $T_A = -40^\circ\text{C to } +85^\circ\text{C}$  | HC, HCT |     | 15  |      |
|                         |  |                 |                 | $T_A = -55^\circ\text{C to } +125^\circ\text{C}$ | HC, HCT |     | 18  |      |
|                         |  | 0               | 6               | $T_A = 25^\circ\text{C}$                         | HC      |     | 10  |      |
|                         |  |                 |                 | $T_A = -40^\circ\text{C to } +85^\circ\text{C}$  | HC      |     | 13  |      |
|                         |  |                 |                 | $T_A = -55^\circ\text{C to } +125^\circ\text{C}$ | HC      |     | 15  |      |
|                         |  | -4.5            | 4.5             | $T_A = 25^\circ\text{C}$                         | HC, HCT |     | 8   |      |
|                         |  |                 |                 | $T_A = -40^\circ\text{C to } +85^\circ\text{C}$  | HC, HCT |     | 10  |      |
|                         |  |                 |                 | $T_A = -55^\circ\text{C to } +125^\circ\text{C}$ | HC, HCT |     | 12  |      |
| $t_{PHZ},$<br>$t_{PLZ}$ | Maximum<br>switch turn<br>OFF delay<br>from S or $\bar{E}$<br>to switch output | 0               | 2               | $T_A = 25^\circ\text{C}$                         | HC      |     | 225 | ns   |
|                         |  |                 |                 | $T_A = -40^\circ\text{C to } +85^\circ\text{C}$  | HC      |     | 280 |      |
|                         |  |                 |                 | $T_A = -55^\circ\text{C to } +125^\circ\text{C}$ | HC      |     | 340 |      |
|                         |  | 0               | 4.5             | $T_A = 25^\circ\text{C}$                         | HC, HCT |     | 45  |      |
|                         |  |                 |                 | $T_A = -40^\circ\text{C to } +85^\circ\text{C}$  | HC, HCT |     | 56  |      |
|                         |  |                 |                 | $T_A = -55^\circ\text{C to } +125^\circ\text{C}$ | HC, HCT |     | 68  |      |
|                         |  | 0               | 6               | $T_A = 25^\circ\text{C}$                         | HC      |     | 38  |      |
|                         |  |                 |                 | $T_A = -40^\circ\text{C to } +85^\circ\text{C}$  | HC      |     | 48  |      |
|                         |  |                 |                 | $T_A = -55^\circ\text{C to } +125^\circ\text{C}$ | HC      |     | 57  |      |
|                         |  | -4.5            | 4.5             | $T_A = 25^\circ\text{C}$                         | HC, HCT |     | 32  |      |
|                         |  |                 |                 | $T_A = -40^\circ\text{C to } +85^\circ\text{C}$  | HC, HCT |     | 40  |      |
|                         |  |                 |                 | $T_A = -55^\circ\text{C to } +125^\circ\text{C}$ | HC, HCT |     | 48  |      |
| $t_{PHZ},$<br>$t_{PLZ}$ | Maximum<br>switch turn<br>OFF delay<br>from S or $\bar{E}$<br>to switch output | 0               | 2               | $T_A = 25^\circ\text{C}$                         | HC      |     | 250 | ns   |
|                         |  |                 |                 | $T_A = -40^\circ\text{C to } +85^\circ\text{C}$  | HC      |     | 315 |      |
|                         |  |                 |                 | $T_A = -55^\circ\text{C to } +125^\circ\text{C}$ | HC      |     | 375 |      |
|                         |  | 0               | 4.5             | $T_A = 25^\circ\text{C}$                         | HC, HCT |     | 50  |      |
|                         |  |                 |                 | $T_A = -40^\circ\text{C to } +85^\circ\text{C}$  | HC, HCT |     | 63  |      |
|                         |  |                 |                 | $T_A = -55^\circ\text{C to } +125^\circ\text{C}$ | HC, HCT |     | 75  |      |
|                         |  | 0               | 6               | $T_A = 25^\circ\text{C}$                         | HC      |     | 43  |      |
|                         |  |                 |                 | $T_A = -40^\circ\text{C to } +85^\circ\text{C}$  | HC      |     | 54  |      |
|                         |  |                 |                 | $T_A = -55^\circ\text{C to } +125^\circ\text{C}$ | HC      |     | 65  |      |
|                         |  | -4.5            | 4.5             | $T_A = 25^\circ\text{C}$                         | HC      |     | 38  |      |
|                         |  |                 |                 |  | HCT     |     | 38  |      |
|                         |  |                 |                 | $T_A = -40^\circ\text{C to } +85^\circ\text{C}$  | HC      |     | 48  |      |
|                         |  |                 |                 |  | HCT     |     | 48  |      |
|                         |  |                 |                 | $T_A = -55^\circ\text{C to } +125^\circ\text{C}$ | HC      |     | 57  |      |
|                         |  |                 |                 |  | HCT     |     | 57  |      |

**Switching Characteristics,  $C_L = 50$  pF (continued)**

$C_L = 50$  pF, input  $t_r, t_f = 6$  ns

| PARAMETER  |  | $V_{EE}$<br>(V) | $V_{CC}$<br>(V) | TEST CONDITIONS                                  |     | MIN | MAX | UNIT |
|--|--|-----------------|-----------------|--|-----|-----|-----|------|
| $t_{PHZ}, t_{PLZ}$                               | Maximum switch turn OFF delay from S or $\bar{E}$ to switch output | 0               | 2               | $T_A = 25^\circ\text{C}$                         | HC  |     | 210 | ns   |
|  |  |                 |                 | $T_A = -40^\circ\text{C to } +85^\circ\text{C}$  | HC  |     | 265 |      |
|  |  |                 |                 | $T_A = -55^\circ\text{C to } +125^\circ\text{C}$ | HC  |     | 315 |      |
|  |  | 0               | 4.5             | $T_A = 25^\circ\text{C}$                         | HC  |     | 42  |      |
|  |  |                 |                 |  | HCT |     | 44  |      |
|  |  |                 |                 | $T_A = -40^\circ\text{C to } +85^\circ\text{C}$  | HC  |     | 53  |      |
|  |  |                 |                 |  | HCT |     | 53  |      |
|  |  |                 |                 | $T_A = -55^\circ\text{C to } +125^\circ\text{C}$ | HC  |     | 63  |      |
|  |  |                 |                 |  | HCT |     | 66  |      |
|  |  | 0               | 6               | $T_A = 25^\circ\text{C}$                         | HC  |     | 36  |      |
|  |  |                 |                 | $T_A = -40^\circ\text{C to } +85^\circ\text{C}$  | HC  |     | 45  |      |
|  |  |                 |                 | $T_A = -55^\circ\text{C to } +125^\circ\text{C}$ | HC  |     | 54  |      |
|  |  | -4.5            | 4.5             | $T_A = 25^\circ\text{C}$                         | HC  |     | 29  |      |
|  |  |                 |                 |  | HCT |     | 31  |      |
|  |  |                 |                 | $T_A = -40^\circ\text{C to } +85^\circ\text{C}$  | HC  |     | 36  |      |
| HCT  |  |                 |                 |  | 39  |     |     |      |
| $T_A = -55^\circ\text{C to } +125^\circ\text{C}$ | HC   |                 |                 |  | 44  |     |     |      |
|  | HCT  |                 |                 |  | 47  |     |     |      |
| $t_{PZL}, t_{PZH}$                               | Maximum switch turn ON delay from S or $\bar{E}$ to switch output  | 0               | 2               | $T_A = 25^\circ\text{C}$                         | HC  |     | 225 | ns   |
|  |  |                 |                 | $T_A = -40^\circ\text{C to } +85^\circ\text{C}$  | HC  |     | 280 |      |
|  |  |                 |                 | $T_A = -55^\circ\text{C to } +125^\circ\text{C}$ | HC  |     | 340 |      |
|  |  | 0               | 4.5             | $T_A = 25^\circ\text{C}$                         | HC  |     | 45  |      |
|  |  |                 |                 |  | HCT |     | 55  |      |
|  |  |                 |                 | $T_A = -40^\circ\text{C to } +85^\circ\text{C}$  | HC  |     | 56  |      |
|  |  |                 |                 |  | HCT |     | 69  |      |
|  |  |                 |                 | $T_A = -55^\circ\text{C to } +125^\circ\text{C}$ | HC  |     | 68  |      |
|  |  |                 |                 |  | HCT |     | 83  |      |
|  |  | 0               | 6               | $T_A = 25^\circ\text{C}$                         | HC  |     | 38  |      |
|  |  |                 |                 | $T_A = -40^\circ\text{C to } +85^\circ\text{C}$  | HC  |     | 48  |      |
|  |  |                 |                 | $T_A = -55^\circ\text{C to } +125^\circ\text{C}$ | HC  |     | 57  |      |
|  |  | -4.5            | 4.5             | $T_A = 25^\circ\text{C}$                         | HC  |     | 32  |      |
|  |  |                 |                 |  | HCT |     | 39  |      |
|  |  |                 |                 | $T_A = -40^\circ\text{C to } +85^\circ\text{C}$  | HC  |     | 40  |      |
| HCT  |  |                 |                 |  | 49  |     |     |      |
| $T_A = -55^\circ\text{C to } +125^\circ\text{C}$ | HC   |                 |                 |  | 48  |     |     |      |
|  | HCT  |                 |                 |  | 59  |     |     |      |

**Switching Characteristics,  $C_L = 50$  pF (continued)**
 $C_L = 50$  pF, input  $t_r, t_f = 6$  ns

| PARAMETER  |   | $V_{EE}$<br>(V) | $V_{CC}$<br>(V) | TEST CONDITIONS                                  |         | MIN | MAX | UNIT |
|--|---|-----------------|-----------------|--|---------|-----|-----|------|
| $t_{PZL}, t_{PZH}$                               | Maximum switch turn ON delay from S or $\bar{E}$ to switch output | 0               | 2               | $T_A = 25^\circ\text{C}$                         | HC      |     | 325 | ns   |
|  |   |                 |                 | $T_A = -40^\circ\text{C to } +85^\circ\text{C}$  | HC      |     | 405 |      |
|  |   |                 |                 | $T_A = -55^\circ\text{C to } +125^\circ\text{C}$ | HC      |     | 490 |      |
|  |   | 0               | 4.5             | $T_A = 25^\circ\text{C}$                         | HC      |     | 65  |      |
|  |   |                 |                 |  | HCT     |     | 70  |      |
|  |   |                 |                 | $T_A = -40^\circ\text{C to } +85^\circ\text{C}$  | HC      |     | 81  |      |
|  |   |                 |                 |  | HCT     |     | 68  |      |
|  |   |                 |                 | $T_A = -55^\circ\text{C to } +125^\circ\text{C}$ | HC      |     | 98  |      |
|  |   |                 |                 |  | HCT     |     | 105 |      |
|  |   | 0               | 6               | $T_A = 25^\circ\text{C}$                         | HC      |     | 55  |      |
|  |   |                 |                 | $T_A = -40^\circ\text{C to } +85^\circ\text{C}$  | HC      |     | 69  |      |
|  |   |                 |                 | $T_A = -55^\circ\text{C to } +125^\circ\text{C}$ | HC      |     | 83  |      |
|  |   | -4.5            | 4.5             | $T_A = 25^\circ\text{C}$                         | HC      |     | 46  |      |
|  |   |                 |                 |  | HCT     |     | 48  |      |
|  |   |                 |                 | $T_A = -40^\circ\text{C to } +85^\circ\text{C}$  | HC      |     | 58  |      |
| HCT  |   |                 |                 |  | 60      |     |     |      |
| $T_A = -55^\circ\text{C to } +125^\circ\text{C}$ | HC  |                 |                 |  | 69      |     |     |      |
|  | HCT   |                 |                 |  | 72      |     |     |      |
| $t_{PZL}, t_{PZH}$                               | Maximum switch turn ON delay from S or $\bar{E}$ to switch output | 0               | 2               | $T_A = 25^\circ\text{C}$                         | HC      |     | 220 | ns   |
|  |   |                 |                 | $T_A = -40^\circ\text{C to } +85^\circ\text{C}$  | HC      |     | 275 |      |
|  |   |                 |                 | $T_A = -55^\circ\text{C to } +125^\circ\text{C}$ | HC      |     | 330 |      |
|  |   | 0               | 4.5             | $T_A = 25^\circ\text{C}$                         | HC      |     | 44  |      |
|  |   |                 |                 |  | HCT     |     | 48  |      |
|  |   |                 |                 | $T_A = -40^\circ\text{C to } +85^\circ\text{C}$  | HC      |     | 55  |      |
|  |   |                 |                 |  | HCT     |     | 60  |      |
|  |   |                 |                 | $T_A = -55^\circ\text{C to } +125^\circ\text{C}$ | HC      |     | 66  |      |
|  |   |                 |                 |  | HCT     |     | 72  |      |
|  |   | 0               | 6               | $T_A = 25^\circ\text{C}$                         | HC      |     | 37  |      |
|  |   |                 |                 | $T_A = -40^\circ\text{C to } +85^\circ\text{C}$  | HC      |     | 47  |      |
|  |   |                 |                 | $T_A = -55^\circ\text{C to } +125^\circ\text{C}$ | HC      |     | 56  |      |
|  |   | -4.5            | 4.5             | $T_A = 25^\circ\text{C}$                         | HC      |     | 31  |      |
|  |   |                 |                 |  | HCT     |     | 34  |      |
|  |   |                 |                 | $T_A = -40^\circ\text{C to } +85^\circ\text{C}$  | HC      |     | 39  |      |
| HCT  |   |                 |                 |  | 43      |     |     |      |
| $T_A = -55^\circ\text{C to } +125^\circ\text{C}$ | HC  |                 |                 |  | 47      |     |     |      |
|  | HCT   |                 |                 |  | 51      |     |     |      |
| $C_I$  | Input (control) capacitance                                       |                 |                 | $T_A = 25^\circ\text{C}$                         | HC, HCT |     | 10  | pF   |
|  |   |                 |                 | $T_A = -40^\circ\text{C to } +85^\circ\text{C}$  | HC, HCT |     | 10  |      |
|  |   |                 |                 | $T_A = -55^\circ\text{C to } +125^\circ\text{C}$ | HC, HCT |     | 10  |      |

## 6.9 Analog Channel Specifications

Typical values at  $T_A = 25^\circ\text{C}$

| PARAMETER  | TEST CONDITIONS   | HC, HCT TYPES                   | $V_{EE}$ (V) | $V_{CC}$ (V) | TYP    | UNIT |      |     |
|--|---|---------------------------------|--------------|--------------|--------|------|------|-----|
| $C_I$  | Switch input capacitance  | All                             |              |              | 5      | pF   |      |     |
| $C_{COM}$  | Common output capacitance   | 4051                            |              |              | 25     | pF   |      |     |
|  |   | 4052                            |              |              | 12     |      |      |     |
|  |   | 4053                            |              |              | 8      |      |      |     |
| $f_{MAX}$  | Minimum switch frequency response at $-3$ dB (see Figure 3, Figure 5, and Figure 7) | See Figure 10 <sup>(1)(2)</sup> | -2.25        | 2.25         | 4051   | 145  |      |     |
|  |   |                                 |              |              | 4052   | 165  |      |     |
|  |   |                                 |              |              | 4053   | 200  |      |     |
|  |   |                                 |              |              | -4.5   | 4.5  | 4051 | 180 |
|  |   |                                 |              |              |        |      | 4052 | 185 |
|  |   |                                 |              |              |        |      | 4053 | 200 |
| Sine-wave distortion   | See Figure 12   | All                             | -2.25%       | 2.25%        | 0.035% |      |      |     |
|  |   | All                             | -4.5%        | 4.5%         | 0.018% |      |      |     |
| Switch OFF signal feedthrough (see Figure 4, Figure 6, and Figure 8) | See Figure 14 <sup>(2)(3)</sup>   | 4051                            | -2.25        | 2.25         | -73    | dB   |      |     |
|  |   | 4052                            |              |              | -65    |      |      |     |
|  |   | 4053                            |              |              | -64    |      |      |     |
|  |   | 4051                            | -4.5         | 4.5          | -75    |      |      |     |
|  |   | 4052                            |              |              | -67    |      |      |     |
|  |   | 4053                            |              |              | -66    |      |      |     |

- (1) Adjust input voltage to obtain 0 dBm at  $V_{OS}$  for  $f_{IN} = 1$  MHz.
- (2)  $V_{IS}$  is centered at  $(V_{CC} - V_{EE}) / 2$ .
- (3) Adjust input for 0 dBm.

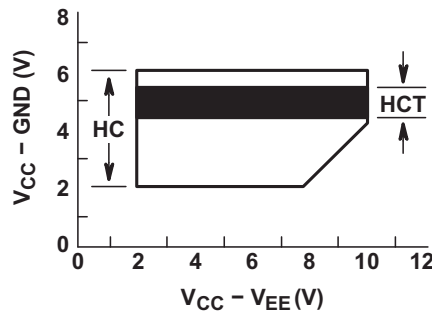


Figure 1. Recommended Operating Area as a Function of  $(V_{CC} - V_{EE})$

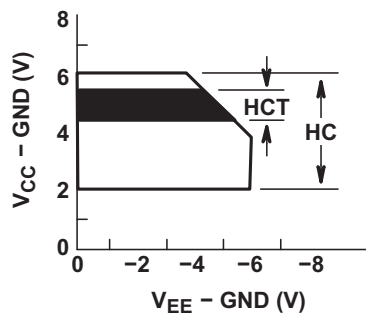
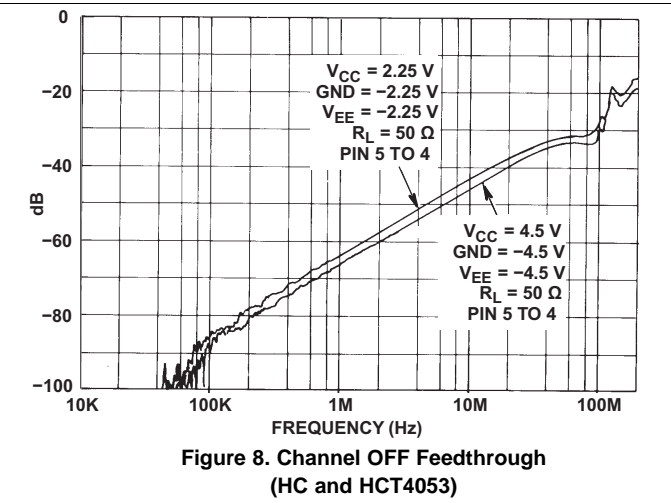
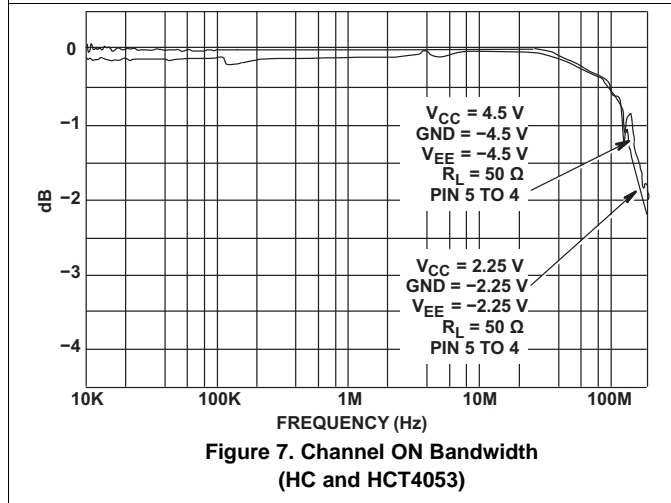
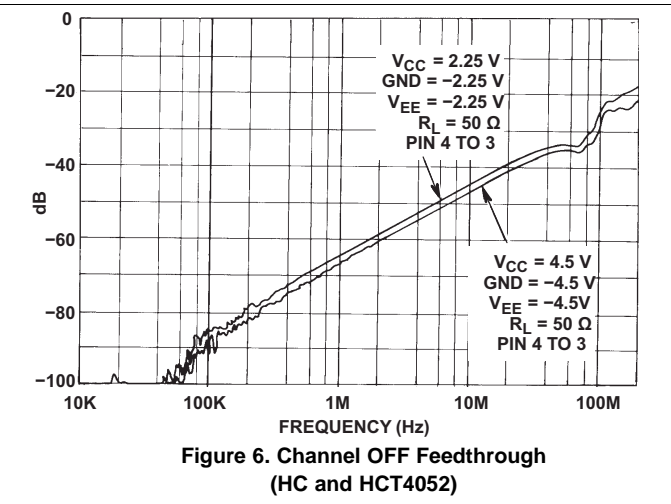
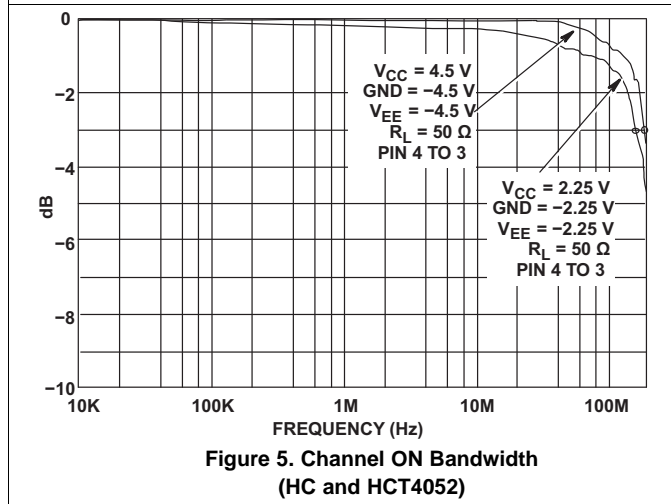
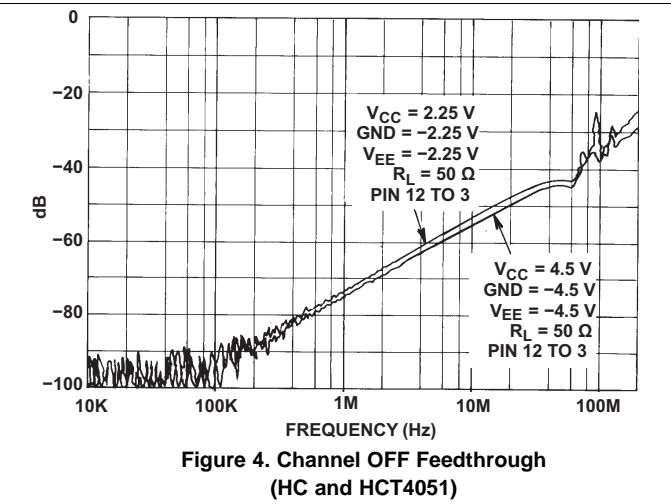
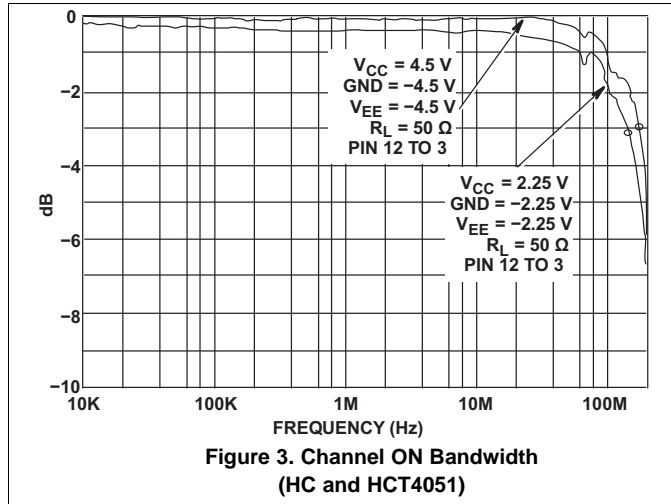


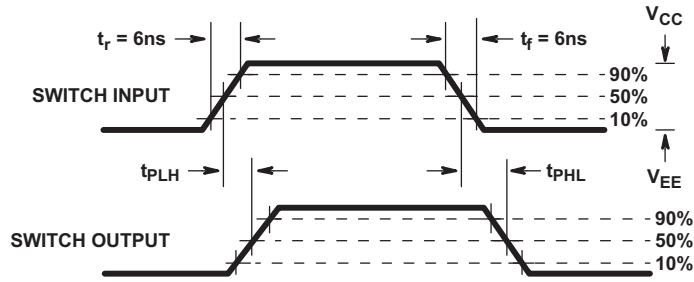
Figure 2. Recommended Operating Area as a Function of  $(V_{EE} - \text{GND})$



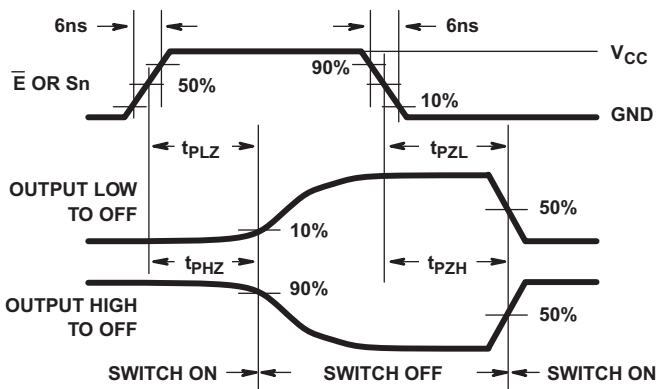
### 6.10 Typical Characteristics



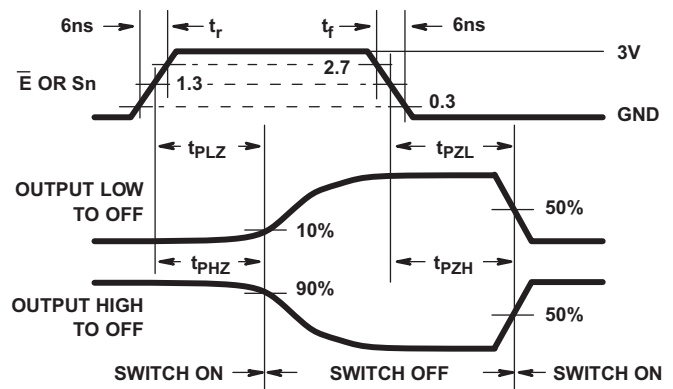
## 7 Parameter Measurement Information



(FIGURE A)



(FIGURE B) HC TYPES



(FIGURE C) HCT TYPES

Figure 9. Switch Propagation Delay, Turn-On, Turn-Off Times

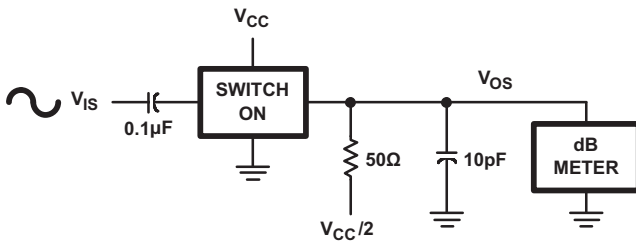


Figure 10. Frequency Response Test Circuit

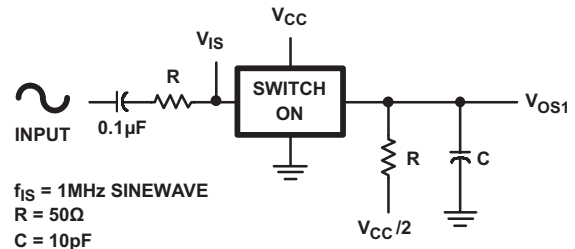


Figure 11. Crosstalk Between Two Switches Test Circuit

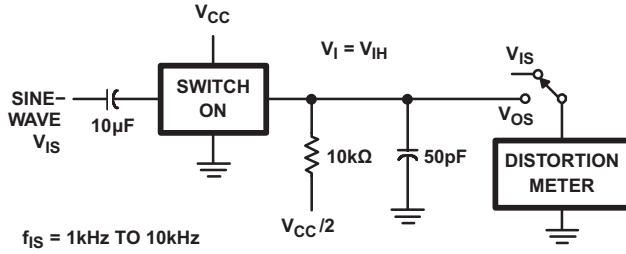


Figure 12. 1/4 Sine-Wave Distortion Test Circuit

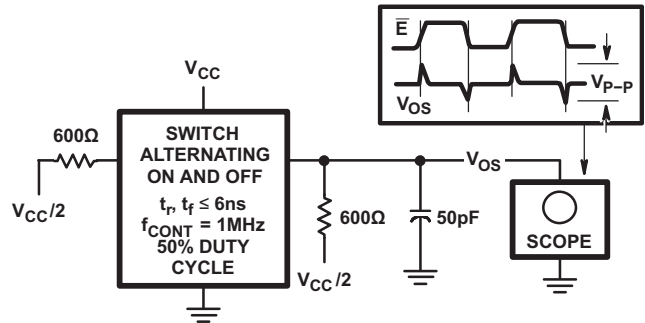


Figure 13. Control to Switch Feedthrough Noise Test Circuit

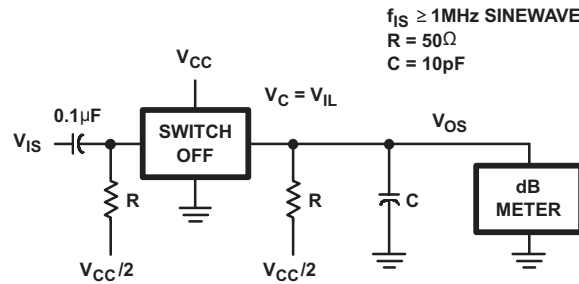


Figure 14. Switch OFF Signal Feedthrough

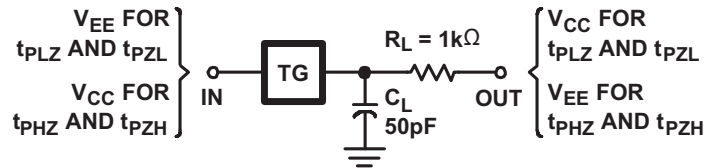


Figure 15. Switch ON/OFF Propagation Delay Test Circuit

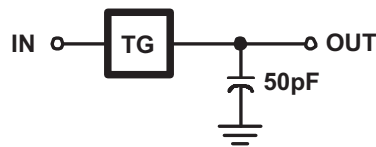


Figure 16. Switch In to Switch Out Propagation Delay Test Circuit

## 8 Detailed Description

### 8.1 Overview

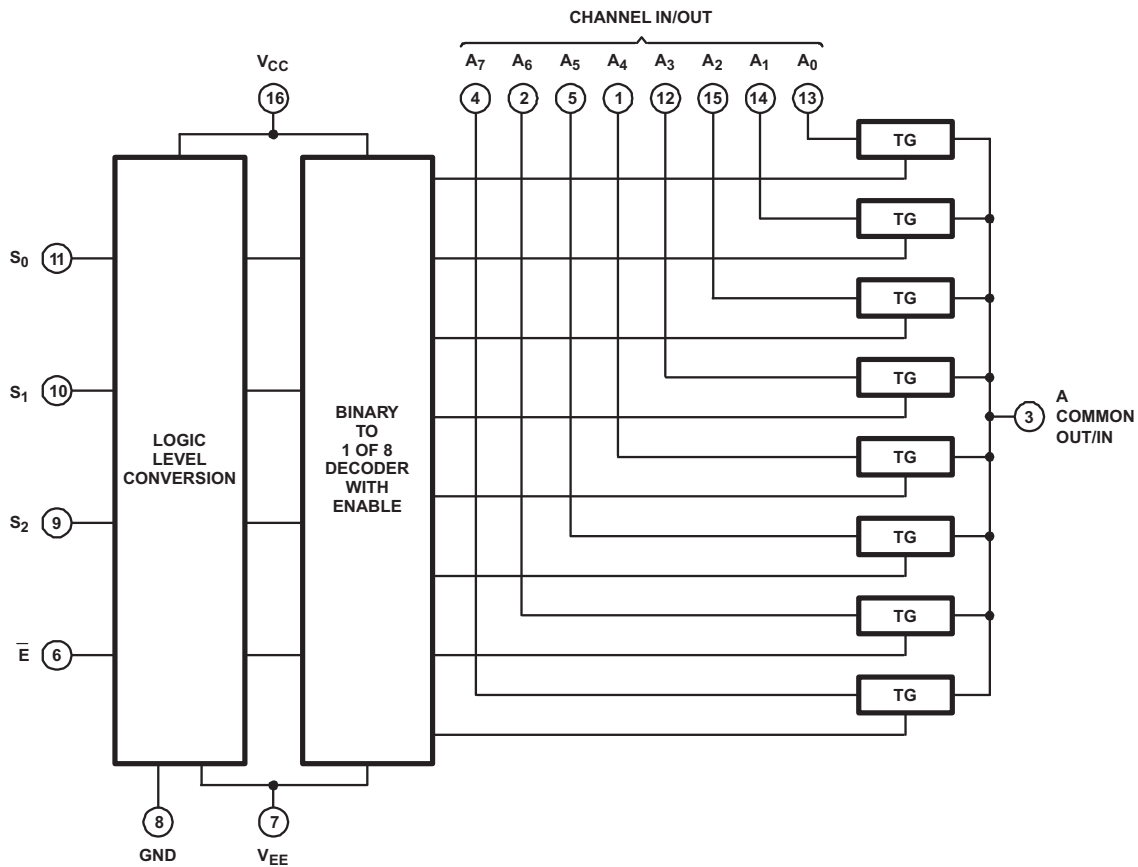
The CDx4HCx4051 devices are a single 8-channel multiplexer having three binary control inputs,  $S_0$ ,  $S_1$ , and  $S_2$  and an  $\overline{\text{ENABLE}}$  input. The three binary signals select 1 of 8 channels to be turned on, and connect one of the 8 inputs to the output.

The CDx4HCx4052 devices are a differential 4-channel multiplexer having two binary control inputs,  $S_0$  and  $S_1$ , and an  $\overline{\text{ENABLE}}$  input. The two binary input signals select 1 of 4 pairs of channels to be turned on and connect the analog inputs to the outputs.

The CDx4HCx4053 devices are a triple 2-channel multiplexer having three separate digital control inputs,  $S_0$ ,  $S_1$ , and  $S_2$  and an  $\overline{\text{ENABLE}}$  input. Each control input selects one of a pair of channels that are connected in a single-pole, double-throw configuration.

When these devices are used as demultiplexers, the CHANNEL IN/OUT terminals are the outputs and the COMMON OUT/IN terminals are the inputs.

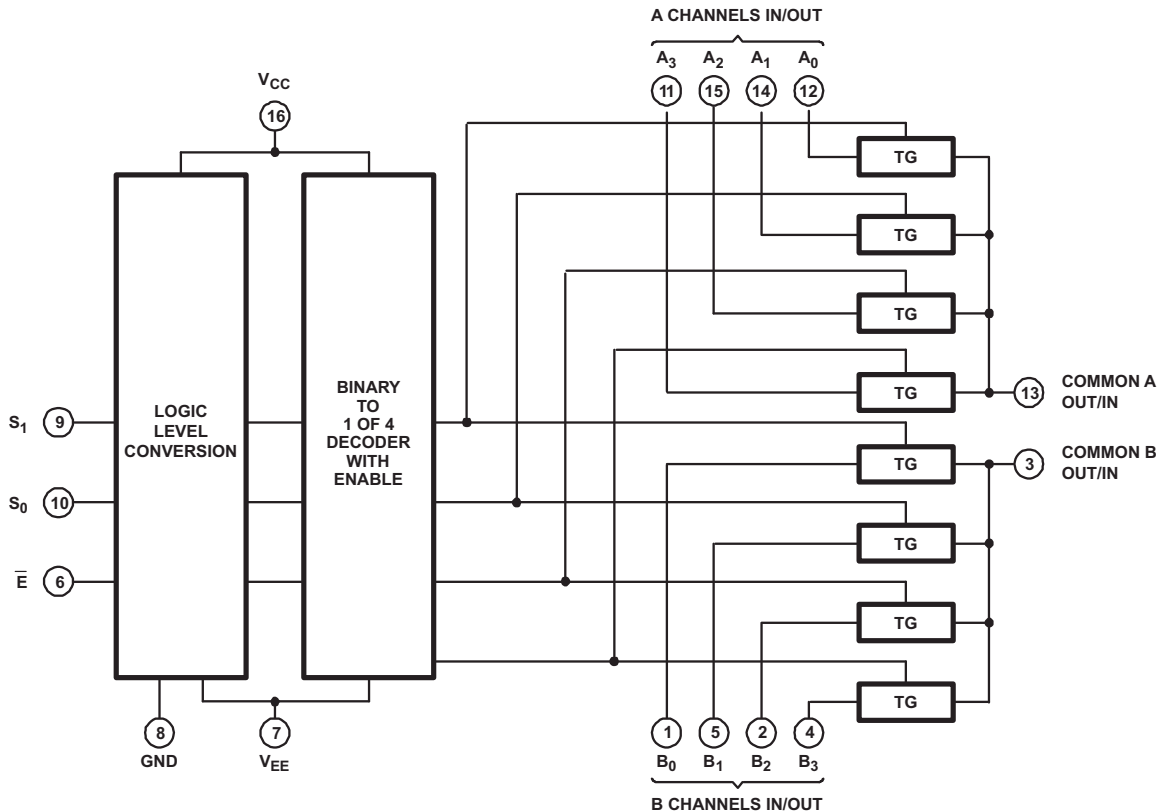
### 8.2 Functional Block Diagrams



All inputs are protected by standard CMOS protection network.

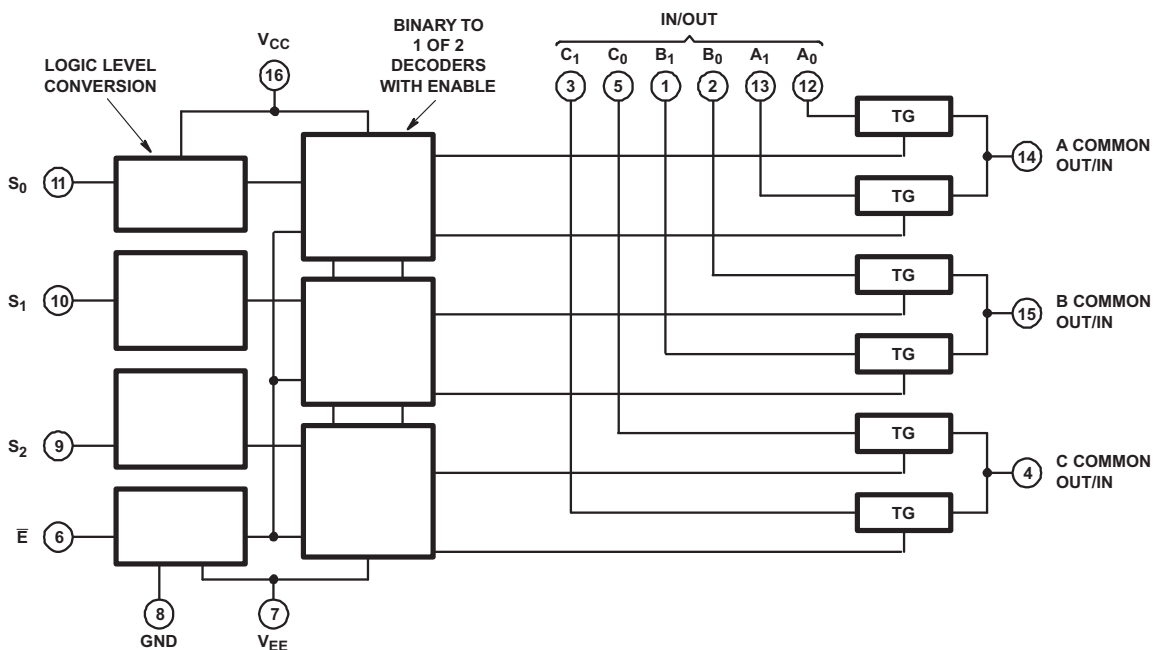
Figure 17. CDx4HCx4051 Functional Block Diagram

Functional Block Diagrams (continued)



All inputs are protected by standard CMOS protection network.

Figure 18. CDx4HCx4052 Functional Block Diagram



All inputs are protected by standard CMOS protection network.

Figure 19. CDx4HCx4053 Functional Block Diagram

### 8.3 Feature Description

The CDx4HCx405x line of multiplexers and demultiplexers can accept a wide range of analog signal levels from –5 to +5 V. They have low ON resistance, typically 70-Ω for  $V_{CC} - V_{EE} = 4.5$  V and 40-Ω for  $V_C - V_{EE} = 4.5$  V, which allows for very little signal loss through the switch.

Binary address decoding on chip makes channel selection easy. When channels are changed, a break-before-make system eliminates channel overlap.

### 8.4 Device Functional Modes

**Table 1. CD54HC4051, CD74HC4051, CD54HCT4051, CD74HCT4051 Function Table<sup>(1)</sup>**

| INPUT STATES |                |                |                | ON CHANNEL |
|--------------|----------------|----------------|----------------|------------|
| ENABLE       | S <sub>2</sub> | S <sub>1</sub> | S <sub>0</sub> |            |
| L            | L              | L              | L              | A0         |
| L            | L              | L              | H              | A1         |
| L            | L              | H              | L              | A2         |
| L            | L              | H              | H              | A3         |
| L            | H              | L              | L              | A4         |
| L            | H              | L              | H              | A5         |
| L            | H              | H              | L              | A6         |
| L            | H              | H              | H              | A7         |
| H            | X              | X              | X              | None       |

(1) X = Don't care

**Table 2. CD54HC4052, CD74HC4052, CD54HCT4052, CD74HCT4052 Function Table<sup>(1)</sup>**

| INPUT STATES |                |                | ON CHANNELS |
|--------------|----------------|----------------|-------------|
| ENABLE       | S <sub>1</sub> | S <sub>0</sub> |             |
| L            | L              | L              | A0, B0      |
| L            | L              | H              | A1, B1      |
| L            | H              | L              | A2, B2      |
| L            | H              | H              | A3, B3      |
| H            | X              | X              | None        |

(1) X = Don't care

**Table 3. CD54HC4053, CD74HC4053, CD54HCT4053, CD74HCT4053 Function Table<sup>(1)</sup>**

| INPUT STATES |                |                |                | ON CHANNELS |
|--------------|----------------|----------------|----------------|-------------|
| ENABLE       | S <sub>2</sub> | S <sub>1</sub> | S <sub>0</sub> |             |
| L            | L              | L              | L              | C0, B0, A0  |
| L            | L              | L              | H              | C0, B0, A1  |
| L            | L              | H              | L              | C0, B1, A0  |
| L            | L              | H              | H              | C0, B1, A1  |
| L            | H              | L              | L              | C1, B0, A0  |
| L            | H              | L              | H              | C1, B0, A1  |
| L            | H              | H              | L              | C1, B1, A0  |
| L            | H              | H              | H              | C1, B1, A1  |
| H            | X              | X              | X              | None        |

(1) X = Don't care

## 9 Application and Implementation

### NOTE

Information in the following applications sections is not part of the TI component specification, and TI does not warrant its accuracy or completeness. TI's customers are responsible for determining suitability of components for their purposes. Customers should validate and test their design implementation to confirm system functionality.

### 9.1 Application Information

The CDx4HCx405x line of multiplexers and demultiplexers can be used for a wide variety of applications.

### 9.2 Typical Application

One application of the CD74HC4051 device is used in conjunction with a microcontroller to poll a keypad. [Figure 20](#) shows the basic schematic for such a polling system. The microcontroller uses the channel-select pins to cycle through the different channels while reading the input to see if a user is pressing any of the keys. This is a very robust setup that allows for simultaneous key presses with very little power consumption. It also uses very few pins on the microcontroller. The down side of polling is that the microcontroller must frequently scan the keys for a press.

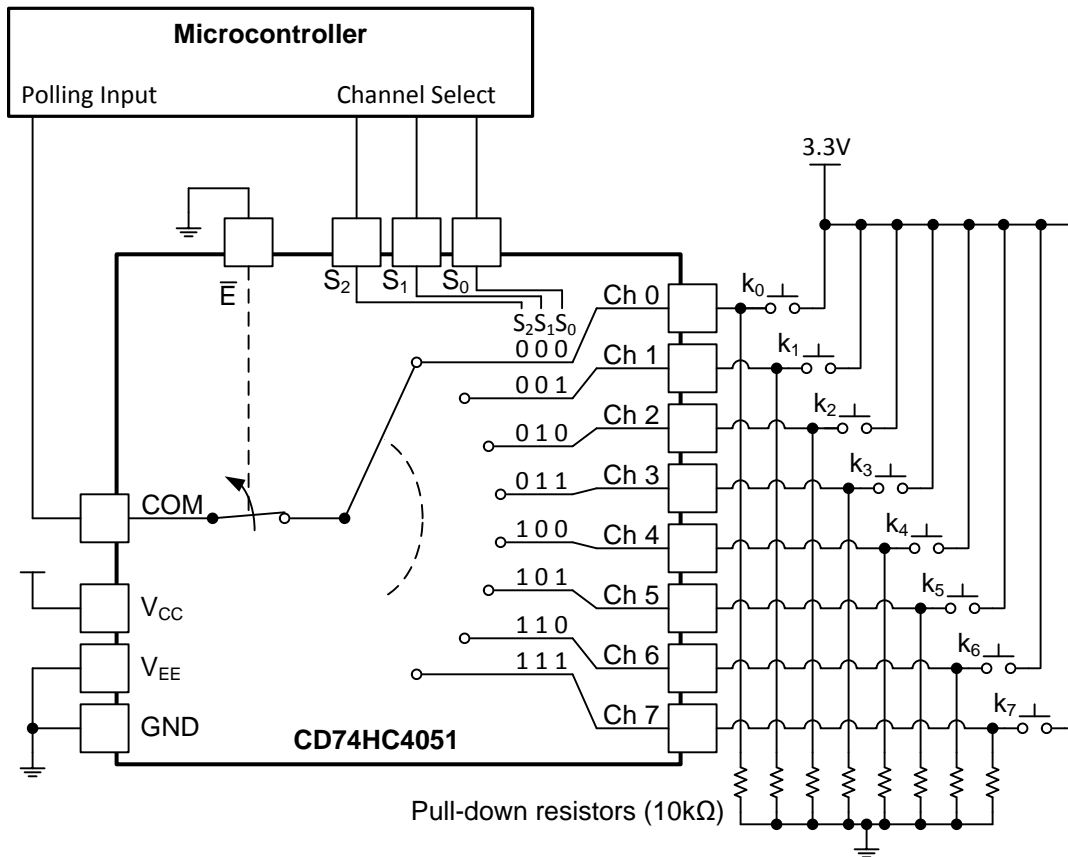


Figure 20. CD74HC4051 Being Used to Help Read Button Presses on a Keypad

#### 9.2.1 Design Requirements

These devices use CMOS technology and have balanced output drive. Take care to avoid bus contention because it can drive currents that would exceed maximum limits. The high drive will also create fast edges into light loads, so routing and load conditions must be considered to prevent ringing.

## Typical Application (continued)

See [Table 4](#) for the input loading details.

**Table 4. HCT Input Loading Table**

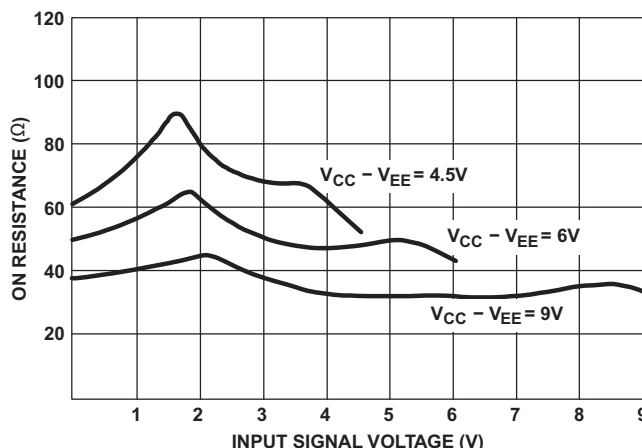
| TYPE       | INPUT | UNIT LOADS <sup>(1)</sup> |
|------------|-------|---------------------------|
| 4051, 4053 | All   | 0.5                       |
| 4052       | All   | 0.4                       |

(1) Unit load is  $\Delta I_{CC}$  limit specified in [Specifications](#), for example, 360-mA MAX at 25°C.

### 9.2.2 Detailed Design Procedure

- Recommended input conditions:
  - For switch time specifications, see propagation delay times in [Electrical Characteristics: HC Devices](#).
  - Inputs must not be pushed more than 0.5 V above  $V_{DD}$  or below  $V_{EE}$ .
  - For input voltage level specifications for control inputs, see  $V_{IH}$  and  $V_{IL}$  in [Electrical Characteristics: HC Devices](#).
- Recommended output conditions:
  - Outputs must not be pulled above  $V_{DD}$  or below  $V_{EE}$ .
- Input and output current consideration:
  - The CDx4HCx405x series of parts do not have internal current-drive circuitry, and thus cannot sink or source current. Any current will be passed through the device.

### 9.2.3 Application Curve



**Figure 21. Typical ON Resistance vs Input Signal Voltage**

## 10 Power Supply Recommendations

The power supply can be any voltage between the minimum and maximum supply voltage rating located in the [Electrical Characteristics: HC Devices](#).

Each  $V_{CC}$  terminal must have a good bypass capacitor to prevent power disturbance. For devices with a single supply, a 0.1- $\mu F$  bypass capacitor is recommended. If there are multiple pins labeled  $V_{CC}$ , then a 0.01- $\mu F$  or 0.022- $\mu F$  capacitor is recommended for each  $V_{CC}$  because the  $V_{CC}$  pins will be tied together internally. For devices with dual-supply pins operating at different voltages, for example  $V_{CC}$  and  $V_{DD}$ , a 0.1- $\mu F$  bypass capacitor is recommended for each supply pin. It is acceptable to parallel multiple bypass capacitors to reject different frequencies of noise. A 0.1- $\mu F$  and a 1- $\mu F$  capacitor are commonly used in parallel. For best results, the bypass capacitor or capacitors must be installed as close as possible to the power terminal.



## 11 Layout

### 11.1 Layout Guidelines

Reflections and matching are closely related to loop antenna theory, but different enough to warrant their own discussion. When a PCB trace turns a corner at a 90° angle, a reflection can occur. This is primarily due to the change in width of the trace. At the apex of the turn, the trace width is increased to 1.414 times its width. This change in width upsets the transmission line characteristics, especially the distributed capacitance and self-inductance of the trace, thus resulting in the reflection. Not all PCB traces can be straight, so they will have to turn corners. Figure 22 shows progressively better techniques of rounding corners. Only the last example (BEST) maintains constant trace width and minimizes reflections.

### 11.2 Layout Example

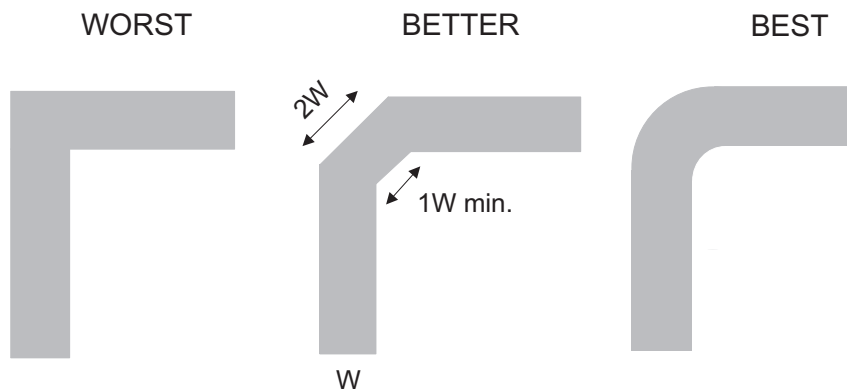


Figure 22. Trace Example

## 12 Device and Documentation Support

### 12.1 Documentation Support

#### 12.1.1 Related Documentation

For related documentation see the following:

[Implications of Slow or Floating CMOS Inputs, SCBA004](#)

### 12.2 Related Links

The table below lists quick access links. Categories include technical documents, support and community resources, tools and software, and quick access to sample or buy.

Table 5. Related Links

| PARTS       | PRODUCT FOLDER             | SAMPLE & BUY               | TECHNICAL DOCUMENTS        | TOOLS & SOFTWARE           | SUPPORT & COMMUNITY        |
|-------------|----------------------------|----------------------------|----------------------------|----------------------------|----------------------------|
| CD54HC4051  | <a href="#">Click here</a> | <a href="#">Click here</a> | <a href="#">Click here</a> | <a href="#">Click here</a> | <a href="#">Click here</a> |
| CD74HC4051  | <a href="#">Click here</a> | <a href="#">Click here</a> | <a href="#">Click here</a> | <a href="#">Click here</a> | <a href="#">Click here</a> |
| CD54HCT4051 | <a href="#">Click here</a> | <a href="#">Click here</a> | <a href="#">Click here</a> | <a href="#">Click here</a> | <a href="#">Click here</a> |
| CD74HCT4051 | <a href="#">Click here</a> | <a href="#">Click here</a> | <a href="#">Click here</a> | <a href="#">Click here</a> | <a href="#">Click here</a> |
| CD54HC4052  | <a href="#">Click here</a> | <a href="#">Click here</a> | <a href="#">Click here</a> | <a href="#">Click here</a> | <a href="#">Click here</a> |
| CD74HC4052  | <a href="#">Click here</a> | <a href="#">Click here</a> | <a href="#">Click here</a> | <a href="#">Click here</a> | <a href="#">Click here</a> |
| CD54HCT4052 | <a href="#">Click here</a> | <a href="#">Click here</a> | <a href="#">Click here</a> | <a href="#">Click here</a> | <a href="#">Click here</a> |
| CD74HCT4052 | <a href="#">Click here</a> | <a href="#">Click here</a> | <a href="#">Click here</a> | <a href="#">Click here</a> | <a href="#">Click here</a> |
| CD54HC4053  | <a href="#">Click here</a> | <a href="#">Click here</a> | <a href="#">Click here</a> | <a href="#">Click here</a> | <a href="#">Click here</a> |
| CD74HC4053  | <a href="#">Click here</a> | <a href="#">Click here</a> | <a href="#">Click here</a> | <a href="#">Click here</a> | <a href="#">Click here</a> |
| CD54HCT4053 | <a href="#">Click here</a> | <a href="#">Click here</a> | <a href="#">Click here</a> | <a href="#">Click here</a> | <a href="#">Click here</a> |
| CD74HCT4053 | <a href="#">Click here</a> | <a href="#">Click here</a> | <a href="#">Click here</a> | <a href="#">Click here</a> | <a href="#">Click here</a> |

### 12.3 Receiving Notification of Documentation Updates

To receive notification of documentation updates, navigate to the device product folder on ti.com. In the upper right corner, click on *Alert me* to register and receive a weekly digest of any product information that has changed. For change details, review the revision history included in any revised document.

### 12.4 Community Resources

The following links connect to TI community resources. Linked contents are provided "AS IS" by the respective contributors. They do not constitute TI specifications and do not necessarily reflect TI's views; see TI's [Terms of Use](#).

**TI E2E™ Online Community** *TI's Engineer-to-Engineer (E2E) Community*. Created to foster collaboration among engineers. At e2e.ti.com, you can ask questions, share knowledge, explore ideas and help solve problems with fellow engineers.

**Design Support** *TI's Design Support* Quickly find helpful E2E forums along with design support tools and contact information for technical support.

### 12.5 Trademarks

E2E is a trademark of Texas Instruments.  
 All other trademarks are the property of their respective owners.

### 12.6 Electrostatic Discharge Caution



These devices have limited built-in ESD protection. The leads should be shorted together or the device placed in conductive foam during storage or handling to prevent electrostatic damage to the MOS gates.

## 12.7 Glossary

[SLYZ022](#) — *TI Glossary*.

This glossary lists and explains terms, acronyms, and definitions.

## 13 Mechanical, Packaging, and Orderable Information

The following pages include mechanical, packaging, and orderable information. This information is the most current data available for the designated devices. This data is subject to change without notice and revision of this document. For browser-based versions of this data sheet, refer to the left-hand navigation.

**PACKAGING INFORMATION**

| Orderable Device | Status<br>(1) | Package Type | Package Drawing | Pins | Package Qty | Eco Plan<br>(2)  | Lead finish/<br>Ball material<br>(6) | MSL Peak Temp<br>(3) | Op Temp (°C) | Device Marking<br>(4/5)               | Samples                 |
|------------------|---------------|--------------|-----------------|------|-------------|------------------|--------------------------------------|----------------------|--------------|---------------------------------------|-------------------------|
| 5962-8775401EA   | ACTIVE        | CDIP         | J               | 16   | 1           | Non-RoHS & Green | SNPB                                 | N / A for Pkg Type   | -55 to 125   | 5962-8775401EA<br>CD54HC4053F3A       | <a href="#">Samples</a> |
| 5962-8855601EA   | ACTIVE        | CDIP         | J               | 16   | 1           | Non-RoHS & Green | SNPB                                 | N / A for Pkg Type   | -55 to 125   | 5962-8855601EA<br>CD54HC4052F3A       | <a href="#">Samples</a> |
| 5962-9065401MEA  | ACTIVE        | CDIP         | J               | 16   | 1           | Non-RoHS & Green | SNPB                                 | N / A for Pkg Type   | -55 to 125   | 5962-9065401ME<br>A<br>CD54HCT4051F3A | <a href="#">Samples</a> |
| CD54HC4051F      | ACTIVE        | CDIP         | J               | 16   | 1           | Non-RoHS & Green | SNPB                                 | N / A for Pkg Type   | -55 to 125   | CD54HC4051F                           | <a href="#">Samples</a> |
| CD54HC4051F3A    | ACTIVE        | CDIP         | J               | 16   | 1           | Non-RoHS & Green | SNPB                                 | N / A for Pkg Type   | -55 to 125   | CD54HC4051F3A                         | <a href="#">Samples</a> |
| CD54HC4052F      | ACTIVE        | CDIP         | J               | 16   | 1           | Non-RoHS & Green | SNPB                                 | N / A for Pkg Type   | -55 to 125   | CD54HC4052F                           | <a href="#">Samples</a> |
| CD54HC4052F3A    | ACTIVE        | CDIP         | J               | 16   | 1           | Non-RoHS & Green | SNPB                                 | N / A for Pkg Type   | -55 to 125   | 5962-8855601EA<br>CD54HC4052F3A       | <a href="#">Samples</a> |
| CD54HC4053F      | ACTIVE        | CDIP         | J               | 16   | 1           | Non-RoHS & Green | SNPB                                 | N / A for Pkg Type   | -55 to 125   | CD54HC4053F                           | <a href="#">Samples</a> |
| CD54HC4053F3A    | ACTIVE        | CDIP         | J               | 16   | 1           | Non-RoHS & Green | SNPB                                 | N / A for Pkg Type   | -55 to 125   | 5962-8775401EA<br>CD54HC4053F3A       | <a href="#">Samples</a> |
| CD54HCT4051F3A   | ACTIVE        | CDIP         | J               | 16   | 1           | Non-RoHS & Green | SNPB                                 | N / A for Pkg Type   | -55 to 125   | 5962-9065401ME<br>A<br>CD54HCT4051F3A | <a href="#">Samples</a> |
| CD74HC4051E      | ACTIVE        | PDIP         | N               | 16   | 25          | RoHS & Green     | NIPDAU                               | N / A for Pkg Type   | -55 to 125   | CD74HC4051E                           | <a href="#">Samples</a> |
| CD74HC4051EE4    | ACTIVE        | PDIP         | N               | 16   | 25          | RoHS & Green     | NIPDAU                               | N / A for Pkg Type   | -55 to 125   | CD74HC4051E                           | <a href="#">Samples</a> |
| CD74HC4051M      | ACTIVE        | SOIC         | D               | 16   | 40          | RoHS & Green     | NIPDAU                               | Level-1-260C-UNLIM   | -55 to 125   | HC4051M                               | <a href="#">Samples</a> |
| CD74HC4051M96    | ACTIVE        | SOIC         | D               | 16   | 2500        | RoHS & Green     | NIPDAU   SN                          | Level-1-260C-UNLIM   | -55 to 125   | HC4051M                               | <a href="#">Samples</a> |
| CD74HC4051M96E4  | ACTIVE        | SOIC         | D               | 16   | 2500        | RoHS & Green     | NIPDAU                               | Level-1-260C-UNLIM   | -55 to 125   | HC4051M                               | <a href="#">Samples</a> |
| CD74HC4051M96G3  | ACTIVE        | SOIC         | D               | 16   | 2500        | RoHS & Green     | SN                                   | Level-1-260C-UNLIM   | -55 to 125   | HC4051M                               | <a href="#">Samples</a> |
| CD74HC4051M96G4  | ACTIVE        | SOIC         | D               | 16   | 2500        | RoHS & Green     | NIPDAU                               | Level-1-260C-UNLIM   | -55 to 125   | HC4051M                               | <a href="#">Samples</a> |

| Orderable Device | Status<br>(1) | Package Type | Package Drawing | Pins | Package Qty | Eco Plan<br>(2) | Lead finish/<br>Ball material<br>(6) | MSL Peak Temp<br>(3) | Op Temp (°C) | Device Marking<br>(4/5) | Samples                 |
|------------------|---------------|--------------|-----------------|------|-------------|-----------------|--------------------------------------|----------------------|--------------|-------------------------|-------------------------|
| CD74HC4051ME4    | ACTIVE        | SOIC         | D               | 16   | 40          | RoHS & Green    | NIPDAU                               | Level-1-260C-UNLIM   | -55 to 125   | HC4051M                 | <a href="#">Samples</a> |
| CD74HC4051MT     | ACTIVE        | SOIC         | D               | 16   | 250         | RoHS & Green    | NIPDAU                               | Level-1-260C-UNLIM   | -55 to 125   | HC4051M                 | <a href="#">Samples</a> |
| CD74HC4051NSR    | ACTIVE        | SO           | NS              | 16   | 2000        | RoHS & Green    | NIPDAU                               | Level-1-260C-UNLIM   | -55 to 125   | HC4051M                 | <a href="#">Samples</a> |
| CD74HC4051NSRE4  | ACTIVE        | SO           | NS              | 16   | 2000        | RoHS & Green    | NIPDAU                               | Level-1-260C-UNLIM   | -55 to 125   | HC4051M                 | <a href="#">Samples</a> |
| CD74HC4051PWR    | ACTIVE        | TSSOP        | PW              | 16   | 2000        | RoHS & Green    | NIPDAU   SN                          | Level-1-260C-UNLIM   | -55 to 125   | HJ4051                  | <a href="#">Samples</a> |
| CD74HC4051PWRG4  | ACTIVE        | TSSOP        | PW              | 16   | 2000        | RoHS & Green    | NIPDAU                               | Level-1-260C-UNLIM   | -55 to 125   | HJ4051                  | <a href="#">Samples</a> |
| CD74HC4051PWT    | ACTIVE        | TSSOP        | PW              | 16   | 250         | RoHS & Green    | NIPDAU                               | Level-1-260C-UNLIM   | -55 to 125   | HJ4051                  | <a href="#">Samples</a> |
| CD74HC4051PWTG4  | ACTIVE        | TSSOP        | PW              | 16   | 250         | RoHS & Green    | NIPDAU                               | Level-1-260C-UNLIM   | -55 to 125   | HJ4051                  | <a href="#">Samples</a> |
| CD74HC4052E      | ACTIVE        | PDIP         | N               | 16   | 25          | RoHS & Green    | NIPDAU                               | N / A for Pkg Type   | -55 to 125   | CD74HC4052E             | <a href="#">Samples</a> |
| CD74HC4052M      | ACTIVE        | SOIC         | D               | 16   | 40          | RoHS & Green    | NIPDAU                               | Level-1-260C-UNLIM   | -55 to 125   | HC4052M                 | <a href="#">Samples</a> |
| CD74HC4052M96    | ACTIVE        | SOIC         | D               | 16   | 2500        | RoHS & Green    | NIPDAU   SN                          | Level-1-260C-UNLIM   | -55 to 125   | HC4052M                 | <a href="#">Samples</a> |
| CD74HC4052M96E4  | ACTIVE        | SOIC         | D               | 16   | 2500        | RoHS & Green    | NIPDAU                               | Level-1-260C-UNLIM   | -55 to 125   | HC4052M                 | <a href="#">Samples</a> |
| CD74HC4052M96G4  | ACTIVE        | SOIC         | D               | 16   | 2500        | RoHS & Green    | NIPDAU                               | Level-1-260C-UNLIM   | -55 to 125   | HC4052M                 | <a href="#">Samples</a> |
| CD74HC4052MT     | ACTIVE        | SOIC         | D               | 16   | 250         | RoHS & Green    | NIPDAU                               | Level-1-260C-UNLIM   | -55 to 125   | HC4052M                 | <a href="#">Samples</a> |
| CD74HC4052NSR    | ACTIVE        | SO           | NS              | 16   | 2000        | RoHS & Green    | NIPDAU                               | Level-1-260C-UNLIM   | -55 to 125   | HC4052M                 | <a href="#">Samples</a> |
| CD74HC4052PW     | ACTIVE        | TSSOP        | PW              | 16   | 90          | RoHS & Green    | NIPDAU                               | Level-1-260C-UNLIM   | -55 to 125   | HJ4052                  | <a href="#">Samples</a> |
| CD74HC4052PWR    | ACTIVE        | TSSOP        | PW              | 16   | 2000        | RoHS & Green    | NIPDAU   SN                          | Level-1-260C-UNLIM   | -55 to 125   | HJ4052                  | <a href="#">Samples</a> |
| CD74HC4052PWRG4  | ACTIVE        | TSSOP        | PW              | 16   | 2000        | RoHS & Green    | NIPDAU                               | Level-1-260C-UNLIM   | -55 to 125   | HJ4052                  | <a href="#">Samples</a> |
| CD74HC4052PWT    | ACTIVE        | TSSOP        | PW              | 16   | 250         | RoHS & Green    | NIPDAU                               | Level-1-260C-UNLIM   | -55 to 125   | HJ4052                  | <a href="#">Samples</a> |
| CD74HC4053E      | ACTIVE        | PDIP         | N               | 16   | 25          | RoHS & Green    | NIPDAU                               | N / A for Pkg Type   | -55 to 125   | CD74HC4053E             | <a href="#">Samples</a> |
| CD74HC4053M      | ACTIVE        | SOIC         | D               | 16   | 40          | RoHS & Green    | NIPDAU                               | Level-1-260C-UNLIM   | -55 to 125   | HC4053M                 | <a href="#">Samples</a> |

| Orderable Device | Status<br>(1) | Package Type | Package Drawing | Pins | Package Qty | Eco Plan<br>(2) | Lead finish/<br>Ball material<br>(6) | MSL Peak Temp<br>(3) | Op Temp (°C) | Device Marking<br>(4/5) | Samples                 |
|------------------|---------------|--------------|-----------------|------|-------------|-----------------|--------------------------------------|----------------------|--------------|-------------------------|-------------------------|
| CD74HC4053M96    | ACTIVE        | SOIC         | D               | 16   | 2500        | RoHS & Green    | NIPDAU   SN                          | Level-1-260C-UNLIM   | -55 to 125   | HC4053M                 | <a href="#">Samples</a> |
| CD74HC4053M96G3  | ACTIVE        | SOIC         | D               | 16   | 2500        | RoHS & Green    | SN                                   | Level-1-260C-UNLIM   | -55 to 125   | HC4053M                 | <a href="#">Samples</a> |
| CD74HC4053M96G4  | ACTIVE        | SOIC         | D               | 16   | 2500        | RoHS & Green    | NIPDAU                               | Level-1-260C-UNLIM   | -55 to 125   | HC4053M                 | <a href="#">Samples</a> |
| CD74HC4053ME4    | ACTIVE        | SOIC         | D               | 16   | 40          | RoHS & Green    | NIPDAU                               | Level-1-260C-UNLIM   | -55 to 125   | HC4053M                 | <a href="#">Samples</a> |
| CD74HC4053MG4    | ACTIVE        | SOIC         | D               | 16   | 40          | RoHS & Green    | NIPDAU                               | Level-1-260C-UNLIM   | -55 to 125   | HC4053M                 | <a href="#">Samples</a> |
| CD74HC4053MT     | ACTIVE        | SOIC         | D               | 16   | 250         | RoHS & Green    | NIPDAU                               | Level-1-260C-UNLIM   | -55 to 125   | HC4053M                 | <a href="#">Samples</a> |
| CD74HC4053NSR    | ACTIVE        | SO           | NS              | 16   | 2000        | RoHS & Green    | NIPDAU                               | Level-1-260C-UNLIM   | -55 to 125   | HC4053M                 | <a href="#">Samples</a> |
| CD74HC4053PW     | ACTIVE        | TSSOP        | PW              | 16   | 90          | RoHS & Green    | NIPDAU                               | Level-1-260C-UNLIM   | -55 to 125   | HJ4053                  | <a href="#">Samples</a> |
| CD74HC4053PWR    | ACTIVE        | TSSOP        | PW              | 16   | 2000        | RoHS & Green    | NIPDAU   SN                          | Level-1-260C-UNLIM   | -55 to 125   | HJ4053                  | <a href="#">Samples</a> |
| CD74HC4053PWRG4  | ACTIVE        | TSSOP        | PW              | 16   | 2000        | RoHS & Green    | NIPDAU                               | Level-1-260C-UNLIM   | -55 to 125   | HJ4053                  | <a href="#">Samples</a> |
| CD74HC4053PWT    | ACTIVE        | TSSOP        | PW              | 16   | 250         | RoHS & Green    | NIPDAU                               | Level-1-260C-UNLIM   | -55 to 125   | HJ4053                  | <a href="#">Samples</a> |
| CD74HCT4051E     | ACTIVE        | PDIP         | N               | 16   | 25          | RoHS & Green    | NIPDAU                               | N / A for Pkg Type   | -55 to 125   | CD74HCT4051E            | <a href="#">Samples</a> |
| CD74HCT4051M     | ACTIVE        | SOIC         | D               | 16   | 40          | RoHS & Green    | NIPDAU                               | Level-1-260C-UNLIM   | -55 to 125   | HCT4051M                | <a href="#">Samples</a> |
| CD74HCT4051M96   | ACTIVE        | SOIC         | D               | 16   | 2500        | RoHS & Green    | NIPDAU                               | Level-1-260C-UNLIM   | -55 to 125   | HCT4051M                | <a href="#">Samples</a> |
| CD74HCT4051M96E4 | ACTIVE        | SOIC         | D               | 16   | 2500        | RoHS & Green    | NIPDAU                               | Level-1-260C-UNLIM   | -55 to 125   | HCT4051M                | <a href="#">Samples</a> |
| CD74HCT4051M96G4 | ACTIVE        | SOIC         | D               | 16   | 2500        | RoHS & Green    | NIPDAU                               | Level-1-260C-UNLIM   | -55 to 125   | HCT4051M                | <a href="#">Samples</a> |
| CD74HCT4051ME4   | ACTIVE        | SOIC         | D               | 16   | 40          | RoHS & Green    | NIPDAU                               | Level-1-260C-UNLIM   | -55 to 125   | HCT4051M                | <a href="#">Samples</a> |
| CD74HCT4051MG4   | ACTIVE        | SOIC         | D               | 16   | 40          | RoHS & Green    | NIPDAU                               | Level-1-260C-UNLIM   | -55 to 125   | HCT4051M                | <a href="#">Samples</a> |
| CD74HCT4051MT    | ACTIVE        | SOIC         | D               | 16   | 250         | RoHS & Green    | NIPDAU                               | Level-1-260C-UNLIM   | -55 to 125   | HCT4051M                | <a href="#">Samples</a> |
| CD74HCT4052E     | ACTIVE        | PDIP         | N               | 16   | 25          | RoHS & Green    | NIPDAU                               | N / A for Pkg Type   | -55 to 125   | CD74HCT4052E            | <a href="#">Samples</a> |
| CD74HCT4052M     | ACTIVE        | SOIC         | D               | 16   | 40          | RoHS & Green    | NIPDAU                               | Level-1-260C-UNLIM   | -55 to 125   | HCT4052M                | <a href="#">Samples</a> |

| Orderable Device | Status<br>(1) | Package Type | Package Drawing | Pins | Package Qty | Eco Plan<br>(2) | Lead finish/<br>Ball material<br>(6) | MSL Peak Temp<br>(3) | Op Temp (°C) | Device Marking<br>(4/5) | Samples                 |
|------------------|---------------|--------------|-----------------|------|-------------|-----------------|--------------------------------------|----------------------|--------------|-------------------------|-------------------------|
| CD74HCT4052M96   | ACTIVE        | SOIC         | D               | 16   | 2500        | RoHS & Green    | NIPDAU                               | Level-1-260C-UNLIM   | -55 to 125   | HCT4052M                | <a href="#">Samples</a> |
| CD74HCT4052M96G4 | ACTIVE        | SOIC         | D               | 16   | 2500        | RoHS & Green    | NIPDAU                               | Level-1-260C-UNLIM   | -55 to 125   | HCT4052M                | <a href="#">Samples</a> |
| CD74HCT4052MT    | ACTIVE        | SOIC         | D               | 16   | 250         | RoHS & Green    | NIPDAU                               | Level-1-260C-UNLIM   | -55 to 125   | HCT4052M                | <a href="#">Samples</a> |
| CD74HCT4053E     | ACTIVE        | PDIP         | N               | 16   | 25          | RoHS & Green    | NIPDAU                               | N / A for Pkg Type   | -55 to 125   | CD74HCT4053E            | <a href="#">Samples</a> |
| CD74HCT4053M     | ACTIVE        | SOIC         | D               | 16   | 40          | RoHS & Green    | NIPDAU                               | Level-1-260C-UNLIM   | -55 to 125   | HCT4053M                | <a href="#">Samples</a> |
| CD74HCT4053M96   | ACTIVE        | SOIC         | D               | 16   | 2500        | RoHS & Green    | NIPDAU                               | Level-1-260C-UNLIM   | -55 to 125   | HCT4053M                | <a href="#">Samples</a> |
| CD74HCT4053M96E4 | ACTIVE        | SOIC         | D               | 16   | 2500        | RoHS & Green    | NIPDAU                               | Level-1-260C-UNLIM   | -55 to 125   | HCT4053M                | <a href="#">Samples</a> |
| CD74HCT4053M96G4 | ACTIVE        | SOIC         | D               | 16   | 2500        | RoHS & Green    | NIPDAU                               | Level-1-260C-UNLIM   | -55 to 125   | HCT4053M                | <a href="#">Samples</a> |
| CD74HCT4053ME4   | ACTIVE        | SOIC         | D               | 16   | 40          | RoHS & Green    | NIPDAU                               | Level-1-260C-UNLIM   | -55 to 125   | HCT4053M                | <a href="#">Samples</a> |
| CD74HCT4053MT    | ACTIVE        | SOIC         | D               | 16   | 250         | RoHS & Green    | NIPDAU                               | Level-1-260C-UNLIM   | -55 to 125   | HCT4053M                | <a href="#">Samples</a> |
| CD74HCT4053PWR   | ACTIVE        | TSSOP        | PW              | 16   | 2000        | RoHS & Green    | NIPDAU   SN                          | Level-1-260C-UNLIM   | -55 to 125   | HK4053                  | <a href="#">Samples</a> |
| CD74HCT4053PWRE4 | ACTIVE        | TSSOP        | PW              | 16   | 2000        | RoHS & Green    | NIPDAU                               | Level-1-260C-UNLIM   | -55 to 125   | HK4053                  | <a href="#">Samples</a> |
| CD74HCT4053PWRG4 | ACTIVE        | TSSOP        | PW              | 16   | 2000        | RoHS & Green    | NIPDAU                               | Level-1-260C-UNLIM   | -55 to 125   | HK4053                  | <a href="#">Samples</a> |
| CD74HCT4053PWT   | ACTIVE        | TSSOP        | PW              | 16   | 250         | RoHS & Green    | NIPDAU                               | Level-1-260C-UNLIM   | -55 to 125   | HK4053                  | <a href="#">Samples</a> |

(1) The marketing status values are defined as follows:

**ACTIVE:** Product device recommended for new designs.

**LIFEBUY:** TI has announced that the device will be discontinued, and a lifetime-buy period is in effect.

**NRND:** Not recommended for new designs. Device is in production to support existing customers, but TI does not recommend using this part in a new design.

**PREVIEW:** Device has been announced but is not in production. Samples may or may not be available.

**OBSELETE:** TI has discontinued the production of the device.

(2) **RoHS:** TI defines "RoHS" to mean semiconductor products that are compliant with the current EU RoHS requirements for all 10 RoHS substances, including the requirement that RoHS substance do not exceed 0.1% by weight in homogeneous materials. Where designed to be soldered at high temperatures, "RoHS" products are suitable for use in specified lead-free processes. TI may reference these types of products as "Pb-Free".

**RoHS Exempt:** TI defines "RoHS Exempt" to mean products that contain lead but are compliant with EU RoHS pursuant to a specific EU RoHS exemption.

**Green:** TI defines "Green" to mean the content of Chlorine (Cl) and Bromine (Br) based flame retardants meet JS709B low halogen requirements of <=1000ppm threshold. Antimony trioxide based flame retardants must also meet the <=1000ppm threshold requirement.

(3) MSL, Peak Temp. - The Moisture Sensitivity Level rating according to the JEDEC industry standard classifications, and peak solder temperature.

(4) There may be additional marking, which relates to the logo, the lot trace code information, or the environmental category on the device.

(5) Multiple Device Markings will be inside parentheses. Only one Device Marking contained in parentheses and separated by a "~" will appear on a device. If a line is indented then it is a continuation of the previous line and the two combined represent the entire Device Marking for that device.

(6) Lead finish/Ball material - Orderable Devices may have multiple material finish options. Finish options are separated by a vertical ruled line. Lead finish/Ball material values may wrap to two lines if the finish value exceeds the maximum column width.

**Important Information and Disclaimer:**The information provided on this page represents TI's knowledge and belief as of the date that it is provided. TI bases its knowledge and belief on information provided by third parties, and makes no representation or warranty as to the accuracy of such information. Efforts are underway to better integrate information from third parties. TI has taken and continues to take reasonable steps to provide representative and accurate information but may not have conducted destructive testing or chemical analysis on incoming materials and chemicals. TI and TI suppliers consider certain information to be proprietary, and thus CAS numbers and other limited information may not be available for release.

In no event shall TI's liability arising out of such information exceed the total purchase price of the TI part(s) at issue in this document sold by TI to Customer on an annual basis.

**OTHER QUALIFIED VERSIONS OF CD54HC4051, CD54HC4052, CD54HC4053, CD54HCT4051, CD74HC4051, CD74HC4052, CD74HC4053, CD74HCT4051 :**

- Catalog : [CD74HC4051](#), [CD74HC4052](#), [CD74HC4053](#), [CD74HCT4051](#)
- Automotive : [CD74HC4051-Q1](#), [CD74HCT4051-Q1](#), [CD74HC4051-Q1](#), [CD74HCT4051-Q1](#)
- Enhanced Product : [CD74HC4051-EP](#), [CD74HC4051-EP](#)
- Military : [CD54HC4051](#), [CD54HC4052](#), [CD54HC4053](#), [CD54HCT4051](#)

NOTE: Qualified Version Definitions:

- Catalog - TI's standard catalog product
- Automotive - Q100 devices qualified for high-reliability automotive applications targeting zero defects
- Enhanced Product - Supports Defense, Aerospace and Medical Applications
- Military - QML certified for Military and Defense Applications



**TAPE AND REEL INFORMATION**

**QUADRANT ASSIGNMENTS FOR PIN 1 ORIENTATION IN TAPE**


\*All dimensions are nominal

| Device          | Package Type | Package Drawing | Pins | SPQ  | Reel Diameter (mm) | Reel Width W1 (mm) | A0 (mm) | B0 (mm) | K0 (mm) | P1 (mm) | W (mm) | Pin1 Quadrant |
|-----------------|--------------|-----------------|------|------|--------------------|--------------------|---------|---------|---------|---------|--------|---------------|
| CD74HC4051M96   | SOIC         | D               | 16   | 2500 | 330.0              | 16.4               | 6.5     | 10.3    | 2.1     | 8.0     | 16.0   | Q1            |
| CD74HC4051M96   | SOIC         | D               | 16   | 2500 | 330.0              | 16.8               | 6.5     | 10.3    | 2.1     | 8.0     | 16.0   | Q1            |
| CD74HC4051M96G3 | SOIC         | D               | 16   | 2500 | 330.0              | 16.8               | 6.5     | 10.3    | 2.1     | 8.0     | 16.0   | Q1            |
| CD74HC4051M96G4 | SOIC         | D               | 16   | 2500 | 330.0              | 16.4               | 6.5     | 10.3    | 2.1     | 8.0     | 16.0   | Q1            |
| CD74HC4051NSR   | SO           | NS              | 16   | 2000 | 330.0              | 16.4               | 8.2     | 10.5    | 2.5     | 12.0    | 16.0   | Q1            |
| CD74HC4051PWR   | TSSOP        | PW              | 16   | 2000 | 330.0              | 12.4               | 6.9     | 5.6     | 1.6     | 8.0     | 12.0   | Q1            |
| CD74HC4051PWR   | TSSOP        | PW              | 16   | 2000 | 330.0              | 12.4               | 6.9     | 5.6     | 1.6     | 8.0     | 12.0   | Q1            |
| CD74HC4051PWRG4 | TSSOP        | PW              | 16   | 2000 | 330.0              | 12.4               | 6.9     | 5.6     | 1.6     | 8.0     | 12.0   | Q1            |
| CD74HC4051PWT   | TSSOP        | PW              | 16   | 250  | 330.0              | 12.4               | 6.9     | 5.6     | 1.6     | 8.0     | 12.0   | Q1            |
| CD74HC4052M96   | SOIC         | D               | 16   | 2500 | 330.0              | 16.4               | 6.5     | 10.3    | 2.1     | 8.0     | 16.0   | Q1            |
| CD74HC4052M96   | SOIC         | D               | 16   | 2500 | 330.0              | 16.8               | 6.5     | 10.3    | 2.1     | 8.0     | 16.0   | Q1            |
| CD74HC4052M96G4 | SOIC         | D               | 16   | 2500 | 330.0              | 16.4               | 6.5     | 10.3    | 2.1     | 8.0     | 16.0   | Q1            |
| CD74HC4052NSR   | SO           | NS              | 16   | 2000 | 330.0              | 16.4               | 8.2     | 10.5    | 2.5     | 12.0    | 16.0   | Q1            |
| CD74HC4052PWR   | TSSOP        | PW              | 16   | 2000 | 330.0              | 12.4               | 6.9     | 5.6     | 1.6     | 8.0     | 12.0   | Q1            |
| CD74HC4052PWR   | TSSOP        | PW              | 16   | 2000 | 330.0              | 12.4               | 6.9     | 5.6     | 1.6     | 8.0     | 12.0   | Q1            |
| CD74HC4052PWRG4 | TSSOP        | PW              | 16   | 2000 | 330.0              | 12.4               | 6.9     | 5.6     | 1.6     | 8.0     | 12.0   | Q1            |

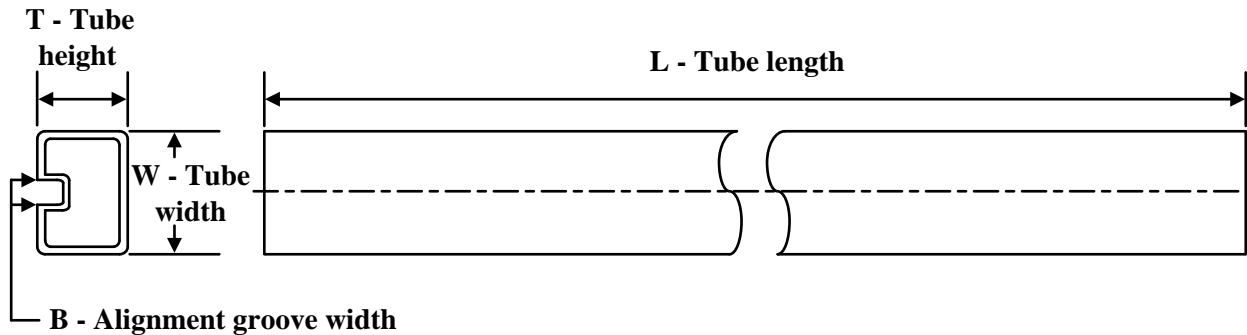
| Device           | Package Type | Package Drawing | Pins | SPQ  | Reel Diameter (mm) | Reel Width W1 (mm) | A0 (mm) | B0 (mm) | K0 (mm) | P1 (mm) | W (mm) | Pin1 Quadrant |
|------------------|--------------|-----------------|------|------|--------------------|--------------------|---------|---------|---------|---------|--------|---------------|
| CD74HC4052PWT    | TSSOP        | PW              | 16   | 250  | 330.0              | 12.4               | 6.9     | 5.6     | 1.6     | 8.0     | 12.0   | Q1            |
| CD74HC4053M96    | SOIC         | D               | 16   | 2500 | 330.0              | 16.8               | 6.5     | 10.3    | 2.1     | 8.0     | 16.0   | Q1            |
| CD74HC4053M96    | SOIC         | D               | 16   | 2500 | 330.0              | 16.4               | 6.5     | 10.3    | 2.1     | 8.0     | 16.0   | Q1            |
| CD74HC4053M96G3  | SOIC         | D               | 16   | 2500 | 330.0              | 16.8               | 6.5     | 10.3    | 2.1     | 8.0     | 16.0   | Q1            |
| CD74HC4053M96G4  | SOIC         | D               | 16   | 2500 | 330.0              | 16.4               | 6.5     | 10.3    | 2.1     | 8.0     | 16.0   | Q1            |
| CD74HC4053NSR    | SO           | NS              | 16   | 2000 | 330.0              | 16.4               | 8.2     | 10.5    | 2.5     | 12.0    | 16.0   | Q1            |
| CD74HC4053PWR    | TSSOP        | PW              | 16   | 2000 | 330.0              | 12.4               | 6.9     | 5.6     | 1.6     | 8.0     | 12.0   | Q1            |
| CD74HC4053PWR    | TSSOP        | PW              | 16   | 2000 | 330.0              | 12.4               | 6.9     | 5.6     | 1.6     | 8.0     | 12.0   | Q1            |
| CD74HC4053PWRG4  | TSSOP        | PW              | 16   | 2000 | 330.0              | 12.4               | 6.9     | 5.6     | 1.6     | 8.0     | 12.0   | Q1            |
| CD74HC4053PWT    | TSSOP        | PW              | 16   | 250  | 330.0              | 12.4               | 6.9     | 5.6     | 1.6     | 8.0     | 12.0   | Q1            |
| CD74HCT4051M96   | SOIC         | D               | 16   | 2500 | 330.0              | 16.4               | 6.5     | 10.3    | 2.1     | 8.0     | 16.0   | Q1            |
| CD74HCT4052M96   | SOIC         | D               | 16   | 2500 | 330.0              | 16.4               | 6.5     | 10.3    | 2.1     | 8.0     | 16.0   | Q1            |
| CD74HCT4053M96   | SOIC         | D               | 16   | 2500 | 330.0              | 16.4               | 6.5     | 10.3    | 2.1     | 8.0     | 16.0   | Q1            |
| CD74HCT4053PWR   | TSSOP        | PW              | 16   | 2000 | 330.0              | 12.4               | 6.9     | 5.6     | 1.6     | 8.0     | 12.0   | Q1            |
| CD74HCT4053PWR   | TSSOP        | PW              | 16   | 2000 | 330.0              | 12.4               | 6.9     | 5.6     | 1.6     | 8.0     | 12.0   | Q1            |
| CD74HCT4053PWRG4 | TSSOP        | PW              | 16   | 2000 | 330.0              | 12.4               | 6.9     | 5.6     | 1.6     | 8.0     | 12.0   | Q1            |
| CD74HCT4053PWT   | TSSOP        | PW              | 16   | 250  | 330.0              | 12.4               | 6.9     | 5.6     | 1.6     | 8.0     | 12.0   | Q1            |

**TAPE AND REEL BOX DIMENSIONS**


\*All dimensions are nominal

| Device          | Package Type | Package Drawing | Pins | SPQ  | Length (mm) | Width (mm) | Height (mm) |
|-----------------|--------------|-----------------|------|------|-------------|------------|-------------|
| CD74HC4051M96   | SOIC         | D               | 16   | 2500 | 340.5       | 336.1      | 32.0        |
| CD74HC4051M96   | SOIC         | D               | 16   | 2500 | 364.0       | 364.0      | 27.0        |
| CD74HC4051M96G3 | SOIC         | D               | 16   | 2500 | 364.0       | 364.0      | 27.0        |
| CD74HC4051M96G4 | SOIC         | D               | 16   | 2500 | 340.5       | 336.1      | 32.0        |
| CD74HC4051NSR   | SO           | NS              | 16   | 2000 | 367.0       | 367.0      | 38.0        |
| CD74HC4051PWR   | TSSOP        | PW              | 16   | 2000 | 364.0       | 364.0      | 27.0        |
| CD74HC4051PWR   | TSSOP        | PW              | 16   | 2000 | 356.0       | 356.0      | 35.0        |
| CD74HC4051PWRG4 | TSSOP        | PW              | 16   | 2000 | 356.0       | 356.0      | 35.0        |
| CD74HC4051PWT   | TSSOP        | PW              | 16   | 250  | 356.0       | 356.0      | 35.0        |
| CD74HC4052M96   | SOIC         | D               | 16   | 2500 | 340.5       | 336.1      | 32.0        |
| CD74HC4052M96   | SOIC         | D               | 16   | 2500 | 364.0       | 364.0      | 27.0        |
| CD74HC4052M96G4 | SOIC         | D               | 16   | 2500 | 340.5       | 336.1      | 32.0        |
| CD74HC4052NSR   | SO           | NS              | 16   | 2000 | 356.0       | 356.0      | 35.0        |
| CD74HC4052PWR   | TSSOP        | PW              | 16   | 2000 | 364.0       | 364.0      | 27.0        |
| CD74HC4052PWR   | TSSOP        | PW              | 16   | 2000 | 356.0       | 356.0      | 35.0        |
| CD74HC4052PWRG4 | TSSOP        | PW              | 16   | 2000 | 356.0       | 356.0      | 35.0        |
| CD74HC4052PWT   | TSSOP        | PW              | 16   | 250  | 356.0       | 356.0      | 35.0        |
| CD74HC4053M96   | SOIC         | D               | 16   | 2500 | 364.0       | 364.0      | 27.0        |

| Device           | Package Type | Package Drawing | Pins | SPQ  | Length (mm) | Width (mm) | Height (mm) |
|------------------|--------------|-----------------|------|------|-------------|------------|-------------|
| CD74HC4053M96    | SOIC         | D               | 16   | 2500 | 340.5       | 336.1      | 32.0        |
| CD74HC4053M96G3  | SOIC         | D               | 16   | 2500 | 364.0       | 364.0      | 27.0        |
| CD74HC4053M96G4  | SOIC         | D               | 16   | 2500 | 340.5       | 336.1      | 32.0        |
| CD74HC4053NSR    | SO           | NS              | 16   | 2000 | 356.0       | 356.0      | 35.0        |
| CD74HC4053PWR    | TSSOP        | PW              | 16   | 2000 | 356.0       | 356.0      | 35.0        |
| CD74HC4053PWR    | TSSOP        | PW              | 16   | 2000 | 364.0       | 364.0      | 27.0        |
| CD74HC4053PWRG4  | TSSOP        | PW              | 16   | 2000 | 356.0       | 356.0      | 35.0        |
| CD74HC4053PWT    | TSSOP        | PW              | 16   | 250  | 356.0       | 356.0      | 35.0        |
| CD74HCT4051M96   | SOIC         | D               | 16   | 2500 | 340.5       | 336.1      | 32.0        |
| CD74HCT4052M96   | SOIC         | D               | 16   | 2500 | 340.5       | 336.1      | 32.0        |
| CD74HCT4053M96   | SOIC         | D               | 16   | 2500 | 340.5       | 336.1      | 32.0        |
| CD74HCT4053PWR   | TSSOP        | PW              | 16   | 2000 | 364.0       | 364.0      | 27.0        |
| CD74HCT4053PWR   | TSSOP        | PW              | 16   | 2000 | 356.0       | 356.0      | 35.0        |
| CD74HCT4053PWRG4 | TSSOP        | PW              | 16   | 2000 | 356.0       | 356.0      | 35.0        |
| CD74HCT4053PWT   | TSSOP        | PW              | 16   | 250  | 356.0       | 356.0      | 35.0        |

**TUBE**


\*All dimensions are nominal

| Device         | Package Name | Package Type | Pins | SPQ | L (mm) | W (mm) | T (µm) | B (mm) |
|----------------|--------------|--------------|------|-----|--------|--------|--------|--------|
| CD74HC4051E    | N            | PDIP         | 16   | 25  | 506    | 13.97  | 11230  | 4.32   |
| CD74HC4051E    | N            | PDIP         | 16   | 25  | 506    | 13.97  | 11230  | 4.32   |
| CD74HC4051EE4  | N            | PDIP         | 16   | 25  | 506    | 13.97  | 11230  | 4.32   |
| CD74HC4051EE4  | N            | PDIP         | 16   | 25  | 506    | 13.97  | 11230  | 4.32   |
| CD74HC4051M    | D            | SOIC         | 16   | 40  | 507    | 8      | 3940   | 4.32   |
| CD74HC4051ME4  | D            | SOIC         | 16   | 40  | 507    | 8      | 3940   | 4.32   |
| CD74HC4052E    | N            | PDIP         | 16   | 25  | 506    | 13.97  | 11230  | 4.32   |
| CD74HC4052E    | N            | PDIP         | 16   | 25  | 506    | 13.97  | 11230  | 4.32   |
| CD74HC4052M    | D            | SOIC         | 16   | 40  | 507    | 8      | 3940   | 4.32   |
| CD74HC4052PW   | PW           | TSSOP        | 16   | 90  | 530    | 10.2   | 3600   | 3.5    |
| CD74HC4053E    | N            | PDIP         | 16   | 25  | 506    | 13.97  | 11230  | 4.32   |
| CD74HC4053E    | N            | PDIP         | 16   | 25  | 506    | 13.97  | 11230  | 4.32   |
| CD74HC4053M    | D            | SOIC         | 16   | 40  | 507    | 8      | 3940   | 4.32   |
| CD74HC4053ME4  | D            | SOIC         | 16   | 40  | 507    | 8      | 3940   | 4.32   |
| CD74HC4053MG4  | D            | SOIC         | 16   | 40  | 507    | 8      | 3940   | 4.32   |
| CD74HC4053PW   | PW           | TSSOP        | 16   | 90  | 530    | 10.2   | 3600   | 3.5    |
| CD74HCT4051E   | N            | PDIP         | 16   | 25  | 506    | 13.97  | 11230  | 4.32   |
| CD74HCT4051E   | N            | PDIP         | 16   | 25  | 506    | 13.97  | 11230  | 4.32   |
| CD74HCT4051M   | D            | SOIC         | 16   | 40  | 507    | 8      | 3940   | 4.32   |
| CD74HCT4051ME4 | D            | SOIC         | 16   | 40  | 507    | 8      | 3940   | 4.32   |
| CD74HCT4051MG4 | D            | SOIC         | 16   | 40  | 507    | 8      | 3940   | 4.32   |
| CD74HCT4052E   | N            | PDIP         | 16   | 25  | 506    | 13.97  | 11230  | 4.32   |
| CD74HCT4052E   | N            | PDIP         | 16   | 25  | 506    | 13.97  | 11230  | 4.32   |
| CD74HCT4052M   | D            | SOIC         | 16   | 40  | 507    | 8      | 3940   | 4.32   |
| CD74HCT4053E   | N            | PDIP         | 16   | 25  | 506    | 13.97  | 11230  | 4.32   |
| CD74HCT4053E   | N            | PDIP         | 16   | 25  | 506    | 13.97  | 11230  | 4.32   |
| CD74HCT4053M   | D            | SOIC         | 16   | 40  | 507    | 8      | 3940   | 4.32   |
| CD74HCT4053ME4 | D            | SOIC         | 16   | 40  | 507    | 8      | 3940   | 4.32   |

# J (R-GDIP-T\*\*)

14 LEADS SHOWN

# CERAMIC DUAL IN-LINE PACKAGE



| DIM \ PINS ** | 14                     | 16                     | 18                     | 20                     |
|---------------|------------------------|------------------------|------------------------|------------------------|
| A             | 0.300<br>(7,62)<br>BSC | 0.300<br>(7,62)<br>BSC | 0.300<br>(7,62)<br>BSC | 0.300<br>(7,62)<br>BSC |
| B MAX         | 0.785<br>(19,94)       | .840<br>(21,34)        | 0.960<br>(24,38)       | 1.060<br>(26,92)       |
| B MIN         | —                      | —                      | —                      | —                      |
| C MAX         | 0.300<br>(7,62)        | 0.300<br>(7,62)        | 0.310<br>(7,87)        | 0.300<br>(7,62)        |
| C MIN         | 0.245<br>(6,22)        | 0.245<br>(6,22)        | 0.220<br>(5,59)        | 0.245<br>(6,22)        |



4040083/F 03/03

- NOTES:
- All linear dimensions are in inches (millimeters).
  - This drawing is subject to change without notice.
  - This package is hermetically sealed with a ceramic lid using glass frit.
  - Index point is provided on cap for terminal identification only on press ceramic glass frit seal only.
  - Falls within MIL STD 1835 GDIP1-T14, GDIP1-T16, GDIP1-T18 and GDIP1-T20.

N (R-PDIP-T\*\*)

PLASTIC DUAL-IN-LINE PACKAGE

16 PINS SHOWN



- NOTES:
- A. All linear dimensions are in inches (millimeters).
  - B. This drawing is subject to change without notice.
  - Falls within JEDEC MS-001, except 18 and 20 pin minimum body length (Dim A).
  - The 20 pin end lead shoulder width is a vendor option, either half or full width.



# PACKAGE OUTLINE

## NS0016A

### SOP - 2.00 mm max height

SOP



4220735/A 12/2021

#### NOTES:

1. All linear dimensions are in millimeters. Dimensions in parenthesis are for reference only. Dimensioning and tolerancing per ASME Y14.5M.
2. This drawing is subject to change without notice.
3. This dimension does not include mold flash, protrusions, or gate burrs. Mold flash, protrusions, or gate burrs shall not exceed 0.15 mm, per side.
4. This dimension does not include interlead flash. Interlead flash shall not exceed 0.25 mm, per side.



# EXAMPLE BOARD LAYOUT

NS0016A

SOP - 2.00 mm max height

SOP



4220735/A 12/2021

NOTES: (continued)

5. Publication IPC-7351 may have alternate designs.

6. Solder mask tolerances between and around signal pads can vary based on board fabrication site.

# EXAMPLE STENCIL DESIGN

NS0016A

SOP - 2.00 mm max height

SOP



SOLDER PASTE EXAMPLE  
BASED ON 0.125 mm THICK STENCIL  
SCALE:7X

4220735/A 12/2021

NOTES: (continued)

7. Laser cutting apertures with trapezoidal walls and rounded corners may offer better paste release. IPC-7525 may have alternate design recommendations.
8. Board assembly site may have different recommendations for stencil design.

D (R-PDSO-G16)

PLASTIC SMALL OUTLINE



- NOTES:
- A. All linear dimensions are in inches (millimeters).
  - B. This drawing is subject to change without notice.
  - C. Body length does not include mold flash, protrusions, or gate burrs. Mold flash, protrusions, or gate burrs shall not exceed 0.006 (0,15) each side.
  - D. Body width does not include interlead flash. Interlead flash shall not exceed 0.017 (0,43) each side.
  - E. Reference JEDEC MS-012 variation AC.

D (R-PDSO-G16)

PLASTIC SMALL OUTLINE



- NOTES:
- All linear dimensions are in millimeters.
  - This drawing is subject to change without notice.
  - Publication IPC-7351 is recommended for alternate designs.
  - Laser cutting apertures with trapezoidal walls and also rounding corners will offer better paste release. Customers should contact their board assembly site for stencil design recommendations. Refer to IPC-7525 for other stencil recommendations.
  - Customers should contact their board fabrication site for solder mask tolerances between and around signal pads.



4220204/A 02/2017

NOTES:

1. All linear dimensions are in millimeters. Any dimensions in parenthesis are for reference only. Dimensioning and tolerancing per ASME Y14.5M.
2. This drawing is subject to change without notice.
3. This dimension does not include mold flash, protrusions, or gate burrs. Mold flash, protrusions, or gate burrs shall not exceed 0.15 mm per side.
4. This dimension does not include interlead flash. Interlead flash shall not exceed 0.25 mm per side.
5. Reference JEDEC registration MO-153.

# EXAMPLE BOARD LAYOUT

PW0016A

TSSOP - 1.2 mm max height

SMALL OUTLINE PACKAGE



LAND PATTERN EXAMPLE  
EXPOSED METAL SHOWN  
SCALE: 10X



SOLDER MASK DETAILS

4220204/A 02/2017

NOTES: (continued)

- 6. Publication IPC-7351 may have alternate designs.
- 7. Solder mask tolerances between and around signal pads can vary based on board fabrication site.

# EXAMPLE STENCIL DESIGN

PW0016A

TSSOP - 1.2 mm max height

SMALL OUTLINE PACKAGE



SOLDER PASTE EXAMPLE  
BASED ON 0.125 mm THICK STENCIL  
SCALE: 10X

4220204/A 02/2017

NOTES: (continued)

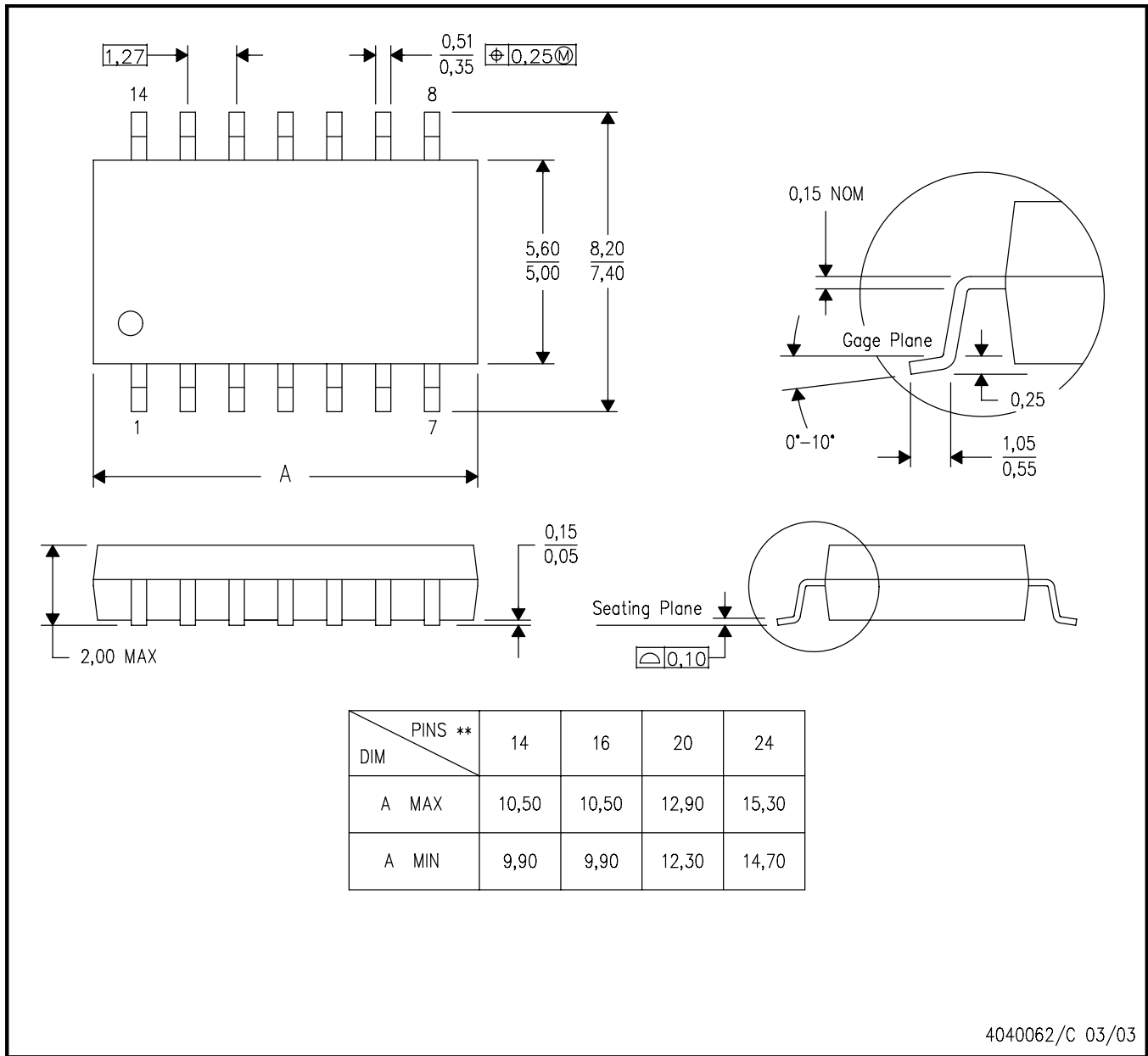
8. Laser cutting apertures with trapezoidal walls and rounded corners may offer better paste release. IPC-7525 may have alternate design recommendations.
9. Board assembly site may have different recommendations for stencil design.

# MECHANICAL DATA

NS (R-PDSO-G\*\*)

PLASTIC SMALL-OUTLINE PACKAGE

14-PINS SHOWN



- NOTES:
- A. All linear dimensions are in millimeters.
  - B. This drawing is subject to change without notice.
  - C. Body dimensions do not include mold flash or protrusion, not to exceed 0,15.



## IMPORTANT NOTICE AND DISCLAIMER

TI PROVIDES TECHNICAL AND RELIABILITY DATA (INCLUDING DATA SHEETS), DESIGN RESOURCES (INCLUDING REFERENCE DESIGNS), APPLICATION OR OTHER DESIGN ADVICE, WEB TOOLS, SAFETY INFORMATION, AND OTHER RESOURCES "AS IS" AND WITH ALL FAULTS, AND DISCLAIMS ALL WARRANTIES, EXPRESS AND IMPLIED, INCLUDING WITHOUT LIMITATION ANY IMPLIED WARRANTIES OF MERCHANTABILITY, FITNESS FOR A PARTICULAR PURPOSE OR NON-INFRINGEMENT OF THIRD PARTY INTELLECTUAL PROPERTY RIGHTS.

These resources are intended for skilled developers designing with TI products. You are solely responsible for (1) selecting the appropriate TI products for your application, (2) designing, validating and testing your application, and (3) ensuring your application meets applicable standards, and any other safety, security, regulatory or other requirements.

These resources are subject to change without notice. TI grants you permission to use these resources only for development of an application that uses the TI products described in the resource. Other reproduction and display of these resources is prohibited. No license is granted to any other TI intellectual property right or to any third party intellectual property right. TI disclaims responsibility for, and you will fully indemnify TI and its representatives against, any claims, damages, costs, losses, and liabilities arising out of your use of these resources.

TI's products are provided subject to [TI's Terms of Sale](#) or other applicable terms available either on [ti.com](http://ti.com) or provided in conjunction with such TI products. TI's provision of these resources does not expand or otherwise alter TI's applicable warranties or warranty disclaimers for TI products.

TI objects to and rejects any additional or different terms you may have proposed.

Mailing Address: Texas Instruments, Post Office Box 655303, Dallas, Texas 75265  
Copyright © 2022, Texas Instruments Incorporated