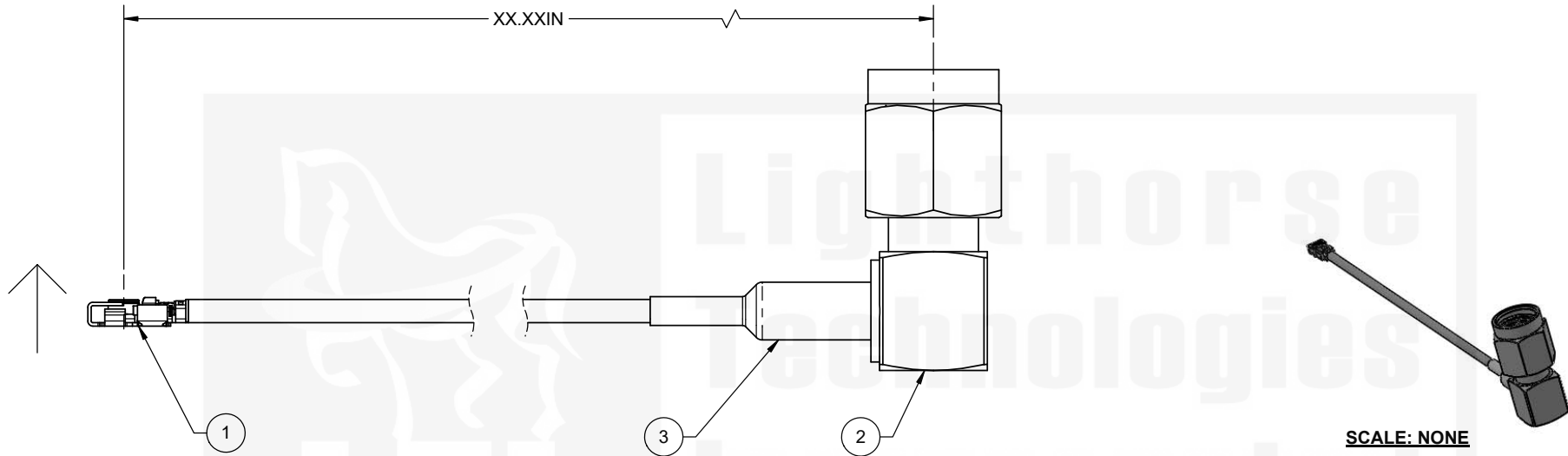


-XX IN THE ENDING OF THE CABLE PART NUMBER IS CALLING OUT THE LENGTH OF THE ASSEMBLY FROM CENTER TO MATING FLANGE OF CONNECTORS. EXAMPLES SHOWN BELOW:

LTI P/N: CB1.37-IPX4LLK-SALMGT-4IN (4 INCHES)
 CB1.37-IPX4LLK-SALMGT-10IN (10 INCHES)

REVISIONS				
REV	ECR	DESCRIPTION	DRAWN	DATE
1		PRODUCTION RELEASE	M. LARSEN	06/07/2022



ITEM	PART NUMBER	DESCRIPTION	QTY
1	CB1.37-IPX4LLK-500MM	IPX4LLK (MHF4L LK) LOCKING, RHT ANGLE, JACK, USING 1.37 CABLE, BLACK, (I-PEX 20632-001R-37)	0.5
2	SALM11GT-178	SMA, RIGHT ANGLE, PLUG, CABLE CRIMP	1
3	1635F-1/8"	.125 (1/8) DIA, .75 LENGTH, GREEN	1

IPX® AND MHF® ARE REGISTERED TRADEMARKS OF I-PEX CO., LTD. CORPORATION

DO NOT SCALE DRAWING			Lighthouse Technologies San Diego, CA WWW.RFCONNECTOR.COM	
TOLERANCES UNLESS OTHERWISE SPECIFIED DIMENSIONS ARE IN MILLIMETERS X = ±0.5 XX = ±0.25 XXX = ±0.13 ANGLE = ±30°			TITLE: CABLE ASSEMBLY, IPX4LLK (MHF4L LK), LOCKING, R/A JACK, CRIMP TO SMA, R/A PLUG, CRIMP USING 1.37 MICRO COAX	
THIRD ANGLE PROJECTION				
CUSTOMER APPROVAL				
SIGN / DATE:				
ENG APPR.	P. BURDGE	06/07/2022	SIZE	PART/DWG. NO:
CHECKED	M. HELD	06/07/2022	B	CB1.37-IPX4LLK-SALMGT-xxIN
DRAWN	M. LARSEN	06/07/2022	SCALE: 4:1	FILE NAME
NAME	DATE			SHEET 1 OF 1
				REV A

PROPRIETARY AND CONFIDENTIAL

UNLESS OTHERWISE SPECIFIED: THIS DOCUMENT CONTAINS LIGHTHORSE TECHNOLOGIES INFORMATION. REPRODUCTION, USE, DISCLOSURE OR TRANSMITTAL OF ALL OR ANY PART OF THIS DOCUMENT IS PROHIBITED EXCEPT TO THE EXTENT APPROVED IN WRITING BY AN AUTHORIZED REPRESENTATIVE OF LIGHTHORSE TECHNOLOGIES. LIGHTHORSE TECHNOLOGIES RESERVES ALL RIGHTS UNDER PATENTS, TRADEMARKS, COPYRIGHTS AND TRADE SECRETS. COPY RIGHTS OF LIGHTHORSE TECHNOLOGIES 2011, ALL RIGHTS RESERVED.

