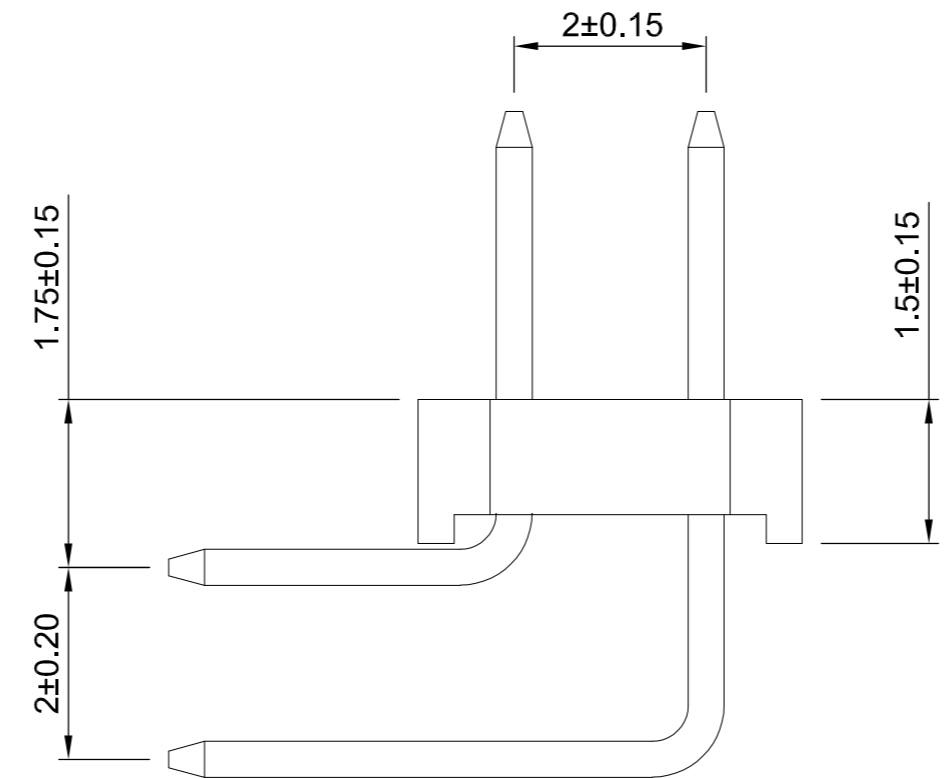
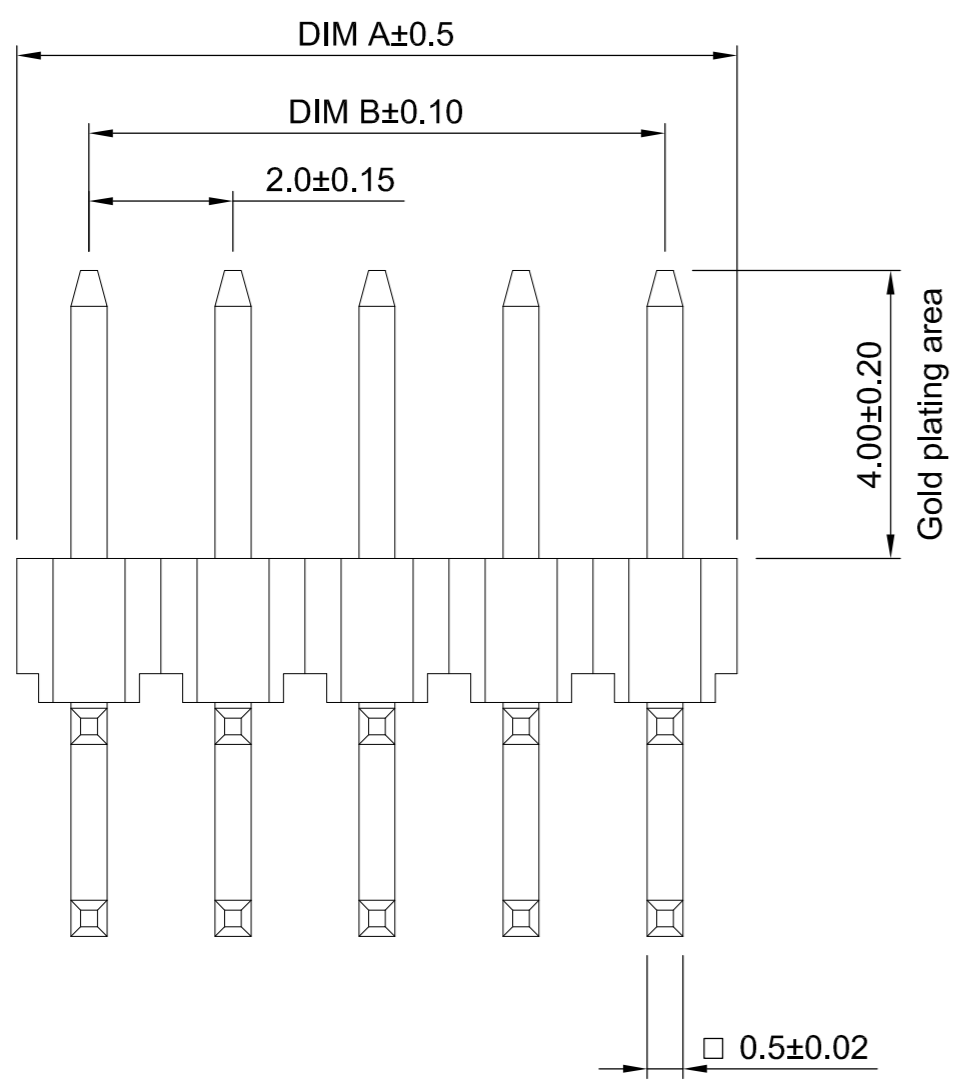
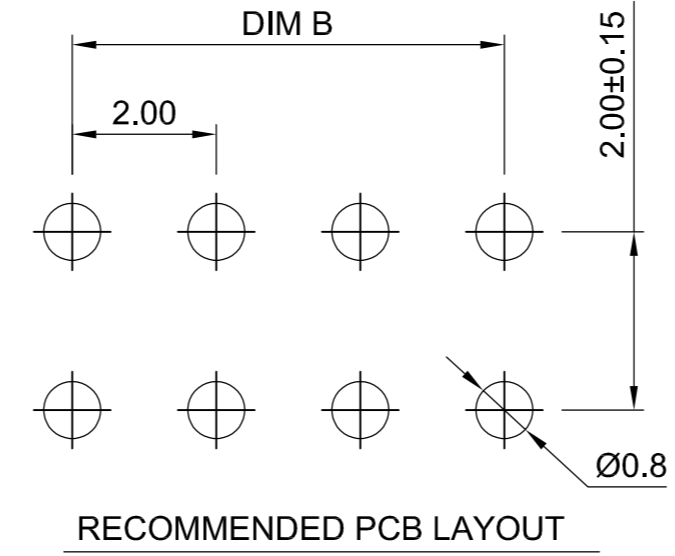
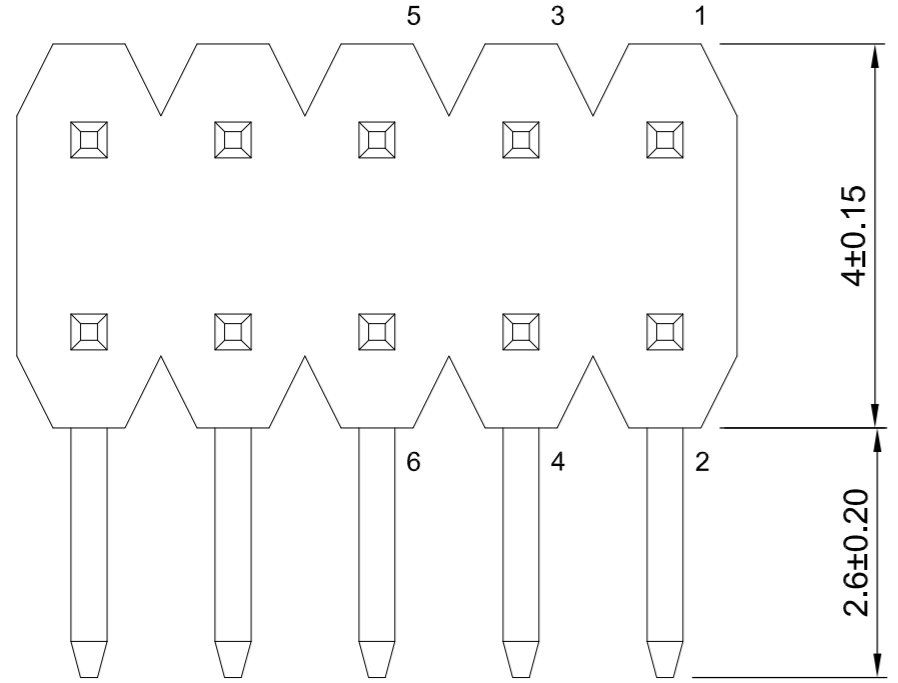


LOC		DIST		REVISIONS			
P	LTR	DESCRIPTION		DATE	DWN	APVD	
	B2	Obsolescence of P/N 1-1734507-2		01AUG2013	SMT	RP	

POSITION NUMBERS FOR REFERENCE ONLY
AND DO NOT APPEAR ON PART



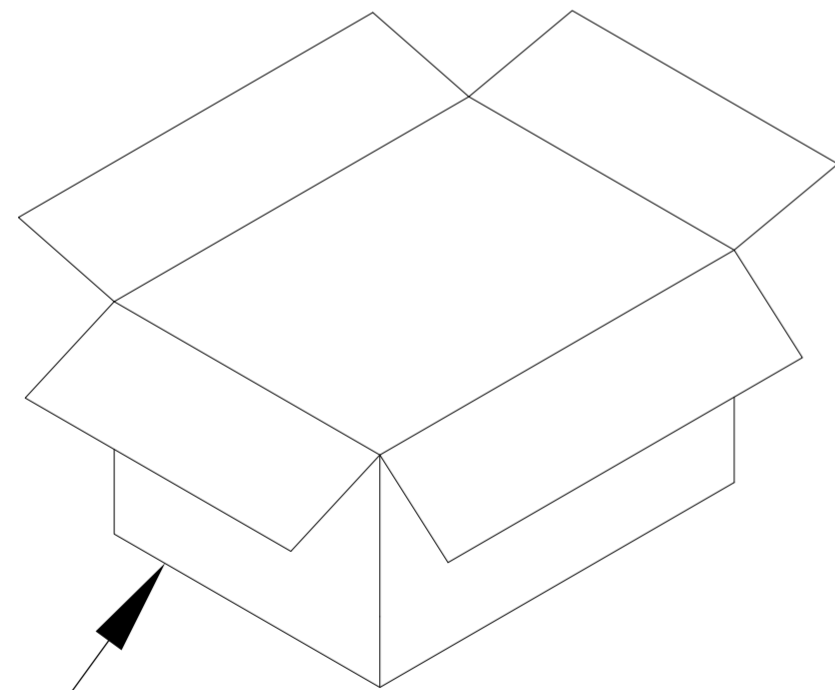
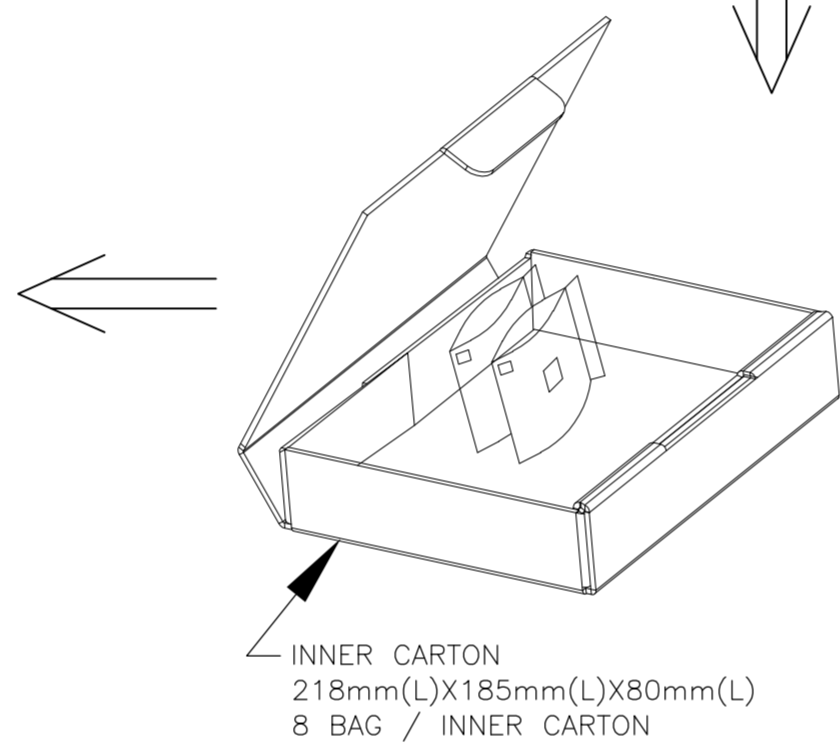
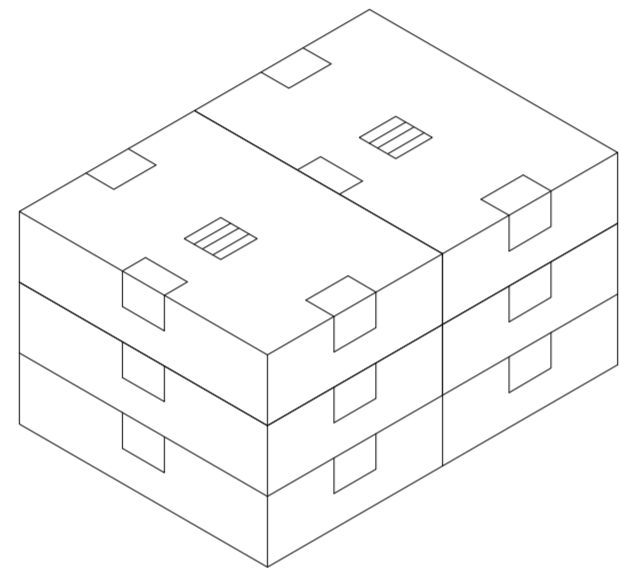
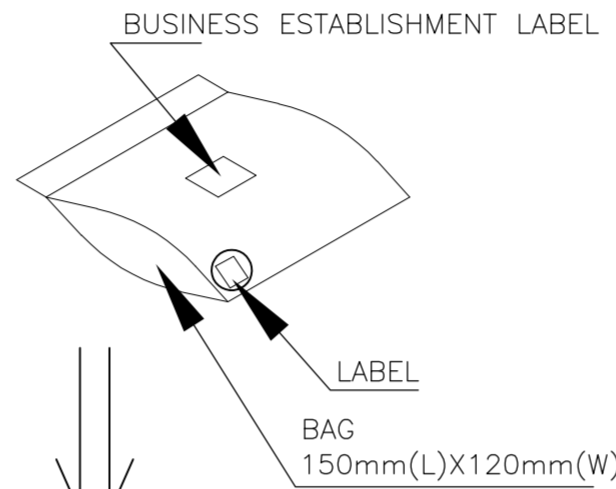
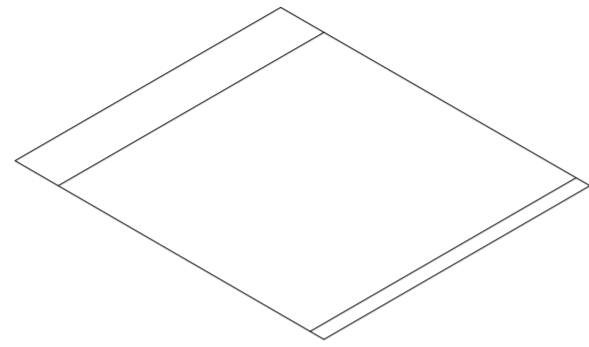
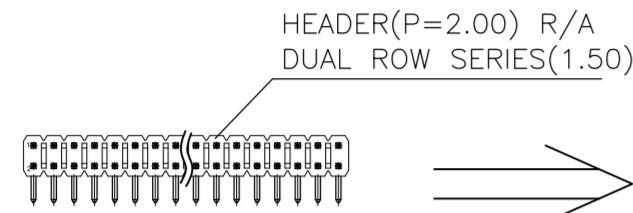
NOTE:

- 1 MATERIAL:
HOUSING: PA6T WITH 30% GF, UL 94V-0, BLACK COLOR.
CONTACTS: PHOSPHOR BRONZE.
- 2 FINISH:
CONTACTS: 0.254mm [10m"] MIN. GOLD PLATED ON CONTACT AREA,
2.54mm [100m"] MIN. MATTE-TIN ON SOLDER TAIL, WITH
ENTIRE CONTACT UNDERPLATED 1.27mm [50m"] MIN. NICKEL.
3. WAVE SOLDER CAPABLE TO 265°C PER TE TEST SPEC.
109-202, CONDITION B.
4. APPLICATION :
SOLDERTAIL LENGTH 2.6 FOR PCB THICKNESS 1.6±0.1
5. QUALIFICATION TEST REPORT:501-57197

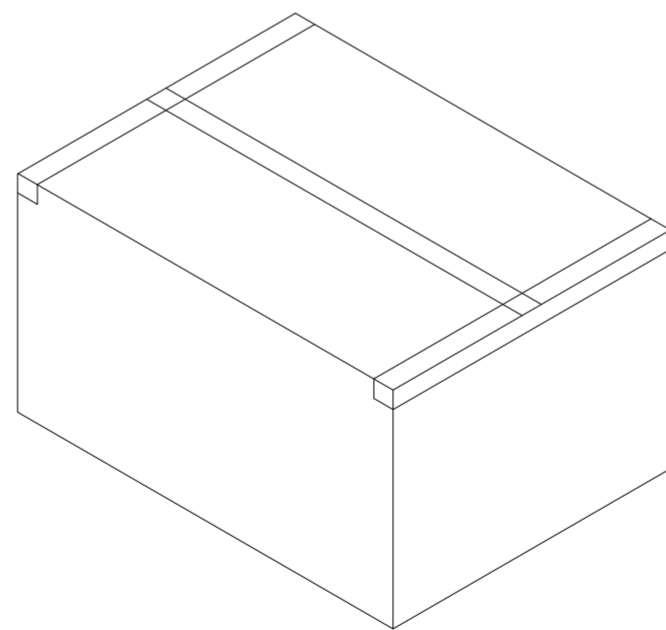
OBSOLETE	80.00	78.00	80	8-	-0	
OBSOLETE	78.00	76.00	78	7-	-8	
OBSOLETE	76.00	74.00	76	7-	-6	
OBSOLETE	74.00	72.00	74	7-	-4	
OBSOLETE	72.00	70.00	72	7-	-2	
OBSOLETE	70.00	68.00	70	7-	-0	
OBSOLETE	68.00	66.00	68	6-	-8	
OBSOLETE	66.00	64.00	66	6-	-6	
OBSOLETE	64.00	62.00	64	6-	-4	
OBSOLETE	62.00	60.00	62	6-	-2	
OBSOLETE	60.00	58.00	60	6-	-0	
OBSOLETE	58.00	56.00	58	5-	-8	
OBSOLETE	56.00	54.00	56	5-	-6	
OBSOLETE	54.00	52.00	54	5-	-4	
OBSOLETE	52.00	50.00	52	5-	-2	
	50.00	48.00	50	5-	-0	
	48.00	46.00	48	4-	-8	
	46.00	44.00	46	4-	-6	
OBSOLETE	44.00	42.00	44	4-	-4	
	42.00	40.00	42	4-	-2	
OBSOLETE	40.00	38.00	40	4-	-0	
OBSOLETE	6	40.00	38.00	40	3-	-9
	38.00	36.00	38	3-	-8	
	36.00	34.00	36	3-	-6	
	34.00	32.00	34	3-	-4	
	32.00	30.00	32	3-	-2	
	30.00	28.00	30	3-	-0	
	28.00	26.00	28	2-	-8	
	26.00	24.00	26	2-	-6	
	24.00	22.00	24	2-	-4	
	22.00	20.00	22	2-	-2	
OBSOLETE	20.00	18.00	20	2-	-0	
	18.00	16.00	18	1-	-8	
	16.00	14.00	16	1-	-6	
	14.00	12.00	14	1-	-4	
OBSOLETE	12.00	10.00	12	1-	-2	
OBSOLETE	10.00	8.00	10	1-	-0	
OBSOLETE	8.00	6.00	8		-8	
	6.00	4.00	6		-6	
	4.00	2.00	4		1734507-4	
VOID POS. NO.	A	B	POSITION NUMBER	PART NUMBER		
	DIMENSIONS					

THIS DRAWING IS A CONTROLLED DOCUMENT.		DWN	O.HU	27JUN2007	TE Connectivity AMPMODU, 2.0mm PITCH, POST HDR, RIGHT ANGLE, MOUNT TYPE	
DIMENSIONS: INCHES		CHK	S.HOU	27JUN2007		
TOLERANCES UNLESS OTHERWISE SPECIFIED:		APVD	W.J.KE	27JUN2007		
0 PLC ± - 1 PLC ± 0.20 2 PLC ± 0.10 3 PLC ± 0.05 4 PLC ± - ANGLES ± - FINISH		PRODUCT SPEC	108-57197			
MATERIAL	1	WEIGHT	-		SIZE	A2
CUSTOMER DRAWING		SCALE	1:1		SHEET	1 of 2
		REV	B2			

LOC	DIST	REVISIONS					
IR	-	P	LTR	DESCRIPTION	DATE	DWN	APVD
		-	-	SEE SHEET 1	-	-	-



OUTER CARTON
392mm(L)X245mm(L)X245mm(L)
6 INNER CARTON / CARTON



	4.887	3.505	30	8	6	1440	80	8-	-0	
OBSOLETE	4.779	3.417	30	8	6	1440	78	7-	-8	
OBSOLETE	4.712	3.330	30	8	6	1440	76	7-	-6	
OBSOLETE	4.624	3.242	30	8	6	1440	74	7-	-4	
OBSOLETE	4.536	3.154	30	8	6	1440	72	7-	-2	
OBSOLETE	5.471	4.089	40	8	6	1920	70	7-	-0	
OBSOLETE	5.354	3.972	40	8	6	1920	68	6-	-8	
OBSOLETE	5.237	3.855	40	8	6	1920	66	6-	-6	
OBSOLETE	5.121	3.739	40	8	6	1920	64	6-	-4	
OBSOLETE	5.004	3.622	40	8	6	1920	62	6-	-2	
OBSOLETE	4.887	3.505	40	8	6	1920	60	6-	-0	
OBSOLETE	4.770	3.388	40	8	6	1920	58	5-	-8	
OBSOLETE	5.062	3.680	45	8	6	2160	56	5-	-6	
OBSOLETE	4.931	3.549	45	8	6	2160	54	5-	-4	
OBSOLETE	4.779	3.417	45	8	6	2160	52	5-	-2	
	5.033	3.651	50	8	6	2400	50	5-	-0	
	4.887	3.505	50	8	6	2400	48	4-	-8	
	4.741	3.359	50	8	6	2400	46	4-	-6	
OBSOLETE	4.595	3.213	50	8	6	2400	44	4-	-4	
	4.449	3.067	50	8	6	2400	42	4-	-2	
OBSOLETE	6.055	4.673	80	8	6	3840	40	4-	-0	
OBSOLETE	5.978	4.596	80	8	6	3840	39	3-	-9	
	5.821	4.439	80	8	6	3840	38	3-	-8	
	5.588	4.206	80	8	6	3840	36	3-	-6	
	5.354	3.972	80	8	6	3840	34	3-	-4	
	5.121	3.739	80	8	6	3840	32	3-	-2	
	5.763	4.381	100	8	6	4800	30	3-	-0	
	5.471	4.089	100	8	6	4800	28	2-	-8	
	5.179	3.797	100	8	6	4800	26	2-	-6	
	6.639	5.257	150	8	6	7200	24	2-	-4	
	6.201	4.819	150	8	6	7200	22	2-	-2	
OBSOLETE	5.767	4.385	150	8	6	7200	20	2-	-0	
	6.639	5.257	200	8	6	9600	18	1-	-8	
	6.055	4.673	200	8	6	9600	16	1-	-6	
	6.493	5.111	250	8	6	12000	14	1-	-4	
OBSOLETE	6.638	5.256	300	8	6	14400	12	1-	-2	
OBSOLETE	5.763	4.381	300	8	6	14400	10	1-	-0	
OBSOLETE	4.887	3.505	300	8	6	14400	8		-8	
	4.887	3.505	400	8	6	19200	6		-6	
	4.302	2.920	500	8	6	24000	4		1734507-4	
	GROSS WEIGHT(Kg)	NET WEIGHT (Kg)	PCS/BAG	BAG/INNER CARTON	INNER CARTON /CARTON	QUANTITY	NO. OF POSTS	PART NUMBER		

THIS DRAWING IS A CONTROLLED DOCUMENT.

DIMENSIONS: INCHES	TOLERANCES UNLESS OTHERWISE SPECIFIED:	DWN O.HU 27JUN2007	 TE Connectivity
	0 PLC ± - 1 PLC ± 0.20 2 PLC ± 0.10 3 PLC ± 0.05 4 PLC ± - ANGLES ± - FINISH ± -	CHK S.HOU 27JUN2007	
		APVD W.J.KE 27JUN2007	
		PRODUCT SPEC SEE SHEET 1	
MATERIAL SEE SHEET 1	FINISH SEE SHEET 1	WEIGHT -	NAME AMPMODU, 2.0mm PITCH, POST HDR, RIGHT ANGLE, MOUNT TYPE SIZE A2 CAGE CODE 00779 DRAWING NO. C=1734507 RESTRICTED TO - SCALE 1:1 SHEET 2 OF 2 REV B2

CUSTOMER DRAWING